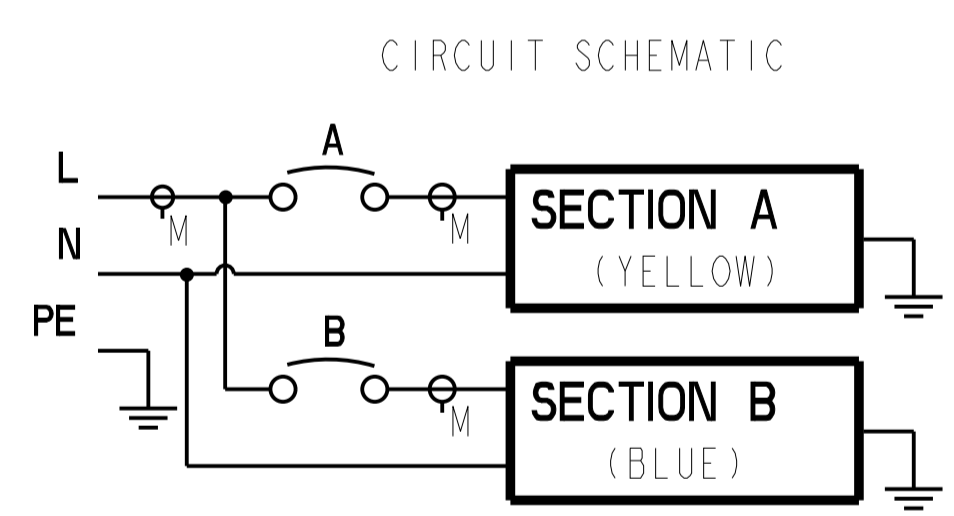
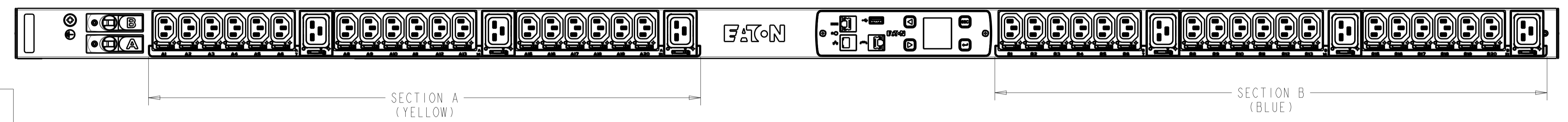
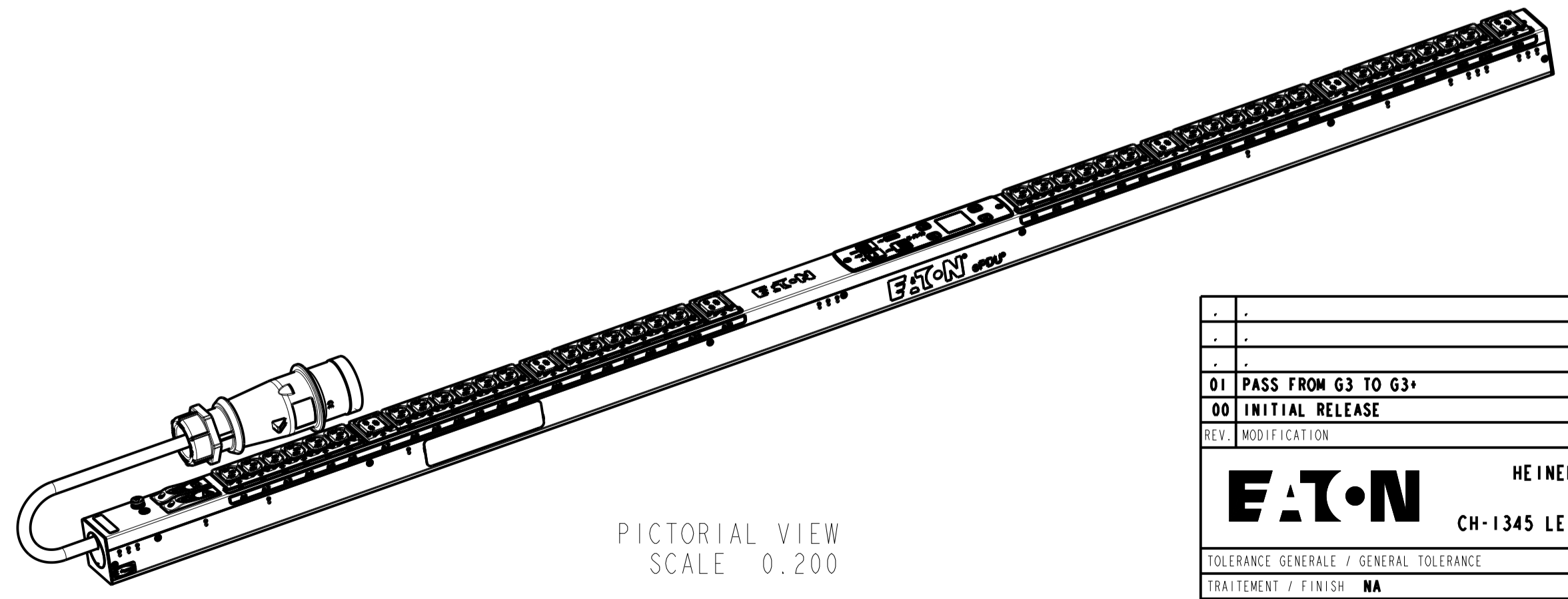


CABLE LENGTH SHOWN NOT TO SCALE



EMIB08-30R G3+ METERED INPUT			
FUNCTIONALITY	INPUT	OUTPUT	ENVIRONMENTAL
CURRENT POWER AND ENERGY METERING FOR INPUT AND BRANCH	IEC 60309-2 32A 230V~ W+N+PE 4.0MM HO7 POWER CORD CABLE LENGTH: 3.0M	(36) IEC 60320 C13 GRIP/P-LOCK (6) IEC 60320 C19 GRIP-P-LCOK	0 TO 60°C
MECHANICAL	INPUT RATING	OUTPUT RATING	CERTIFICATIONS
LENGTH: 1604MM WIDTH: 52 MM DEPTH: 53MM ALUMINIUM CHASSIS, RED MNT PATTERN SK-23919-Y1	1Ø; 200-240V~; W+N+PE 50/60HZ 32A	200-240V~; 50/60HZ 10A PER C13; 16A PER C19 16A MAX PER SECTION 32A MAX TOTAL	CE, CB
CIRCUIT BREAKERS	FILTER AND SPIKE/SURGE	ACCESSORIES	CONFIGURATION
(2) 16A 1-POLE	NONE	STANDARD KSP025 - EPDU G3 EMEA VERT INSTALL NETWORK PACK KA35 OPTIONAL EMPDTHIC2 - ENVIRONMENTAL PROBE	EM13CH8FBDG77GM



PICTORIAL VIEW
SCALE 0.200

01 PASS FROM G3 TO G3+		07.09.2021	YEW	M.B
00 INITIAL RELEASE		04.02.2019	AEK	M.B
REV. MODIFICATION		DATE	DESS/DRAW	VERIF.
EATON HEINEMANN PRODUCTS		VUE/VIEW EUROPE	ECHELLE / SCALE 4/10	N° MAG EMIB08-30R
CH-1345 LE LIEU SWITZERLAND		DESSINE LE / DRAWN THE	04.02.2019	
TRAITEMENT / FINISH NA		PAR / BY	AEK	
MATERIE / MATERIAL NA		VERIFIE PAR / VERIFIED BY	M.B	
NIVEAU DU CERTIFICAT DE SOUMISSION REDUIS / SAMPLES APPROVAL PROCESS REPORT X		DIMENSIONS AND TOLERANCES IN MILLIMETERS		
DESIGNATION EPDU M1 OU (309 32A 1P136XC13:6XC19 RED)		SK-133419-Y1	01	
COTES A CONTROLER / INSPECTION DIMENSIONS	XX.XX	COTES FONCTIONNELLES / FUNCTIONAL DIMENSIONS	XX.XX	NUMERO DU PLAN / PLAN NUMBER
Ce document est propriété de Eaton Industries Manufacturing GmbH. Duplication interdite sans autorisation. This document is Eaton Industries Manufacturing GmbH property. Duplication forbidden without authorization.				