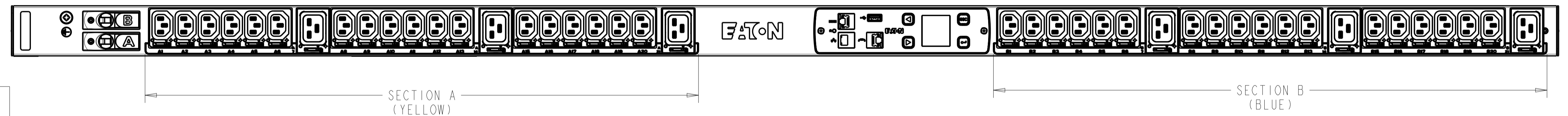
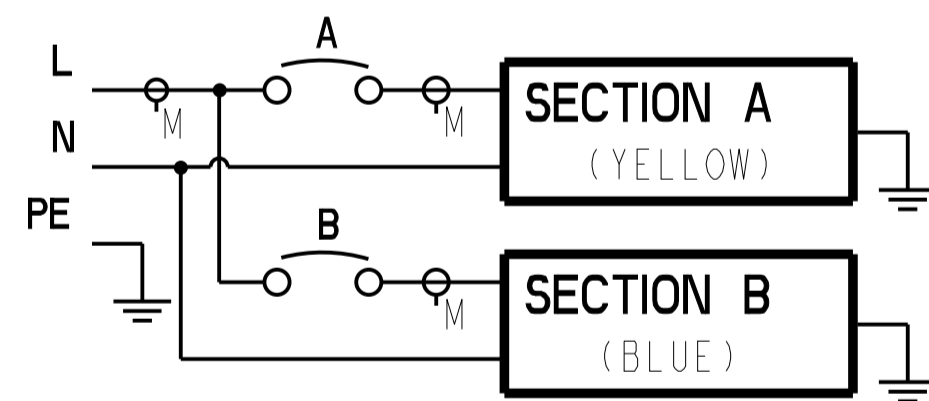


CABLE LENGTH SHOWN NOT TO SCALE

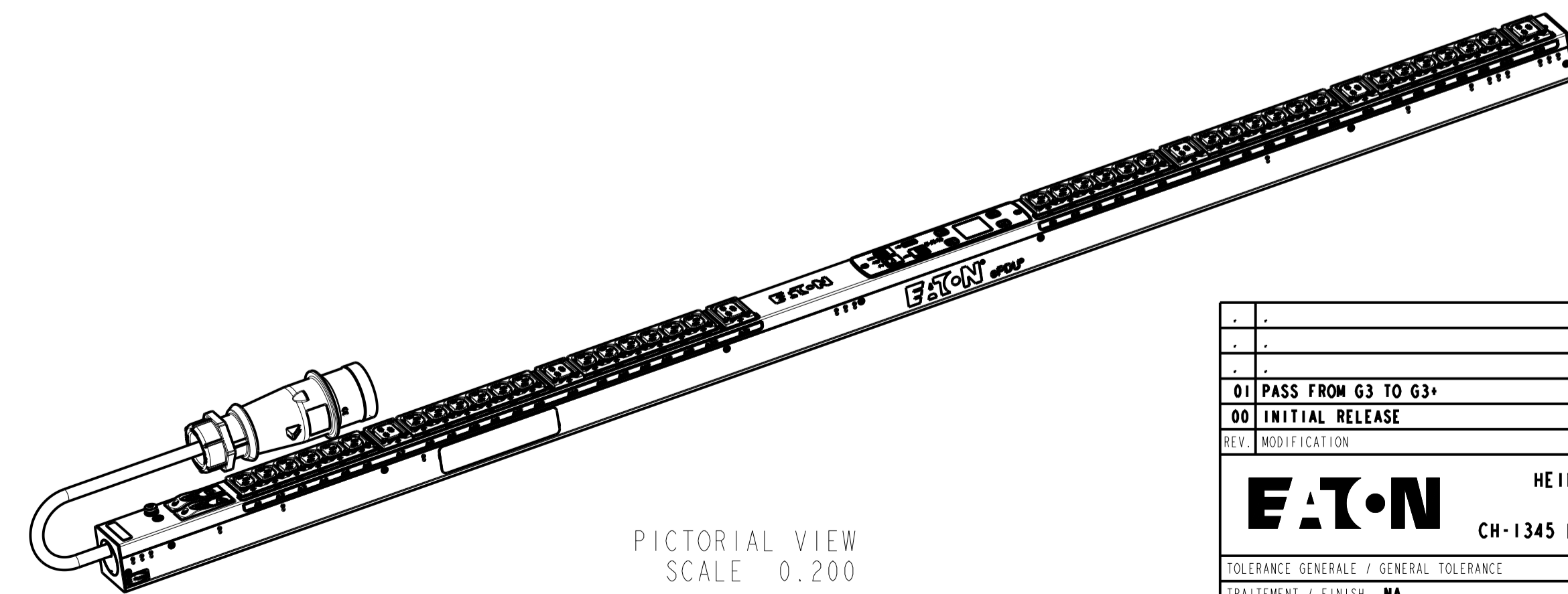


CIRCUIT SCHEMATIC



EMIB08-30B G3+ METERED INPUT

FUNCTIONALITY	INPUT	OUTPUT	ENVIRONMENTAL
CURRENT POWER AND ENERGY METERING FOR INPUT AND BRANCH	IEC 60309-2 32A 230V~ W+N+PE 4.0MM HO7 POWER CORD CABLE LENGTH: 3.0M	(36) IEC 60320 C13 GRIP/P-LOCK (6) IEC 60320 C19 GRIP/P-LOCK	0 TO 60°C
MECHANICAL	INPUT RATING	OUTPUT RATING	CERTIFICATIONS
LENGTH: 1604MM WIDTH: 52 MM DEPTH: 53MM ALUMINIUM CHASSIS, BLUE MNT PATTERN SK-23919-Y1	1Ø; 200-240V~; W+N+PE 50/60HZ 32A	200-240V~; 50/60HZ 10A PER C13; 16A PER C19 16A MAX PER SECTION 32A MAX TOTAL	CE, CB
CIRCUIT BREAKERS	FILTER AND SPIKE/SURGE	ACCESSORIES	CONFIGURATION
(2) 16A 1-POLE	NONE	STANDARD KSP025 - EPDU G3 EMEA VERT INSTALL NETWORK PACK KA35 OPTIONAL EMPDTHIC2 - ENVIRONMENTAL PROBE	EM13CH8FBDG77HM



PICTORIAL VIEW
SCALE 0.200

01 PASS FROM G3 TO G3+	07.09.2021	YEW	M.B
00 INITIAL RELEASE	04.02.2019	AEK	M.B
REV. MODIFICATION	DATE	DESS/DRAW	VERIF.
EATON HEINEMANN PRODUCTS		VUE/VIEW EUROPE	ECHELLE / SCALE 4/10
CH-1345 LE LIEU SWITZERLAND		DESSINE LE / DRAWN THE	04.02.2019
TRAITEMENT / FINISH NA		PAR / BY	AEK
MATERIE / MATERIAL NA		VERIFIE PAR / VERIFIED BY	M.B
NIVEAU DU CERTIFICAT DE SOUMISSION REDUIS / SAMPLES APPROVAL PROCESS REPORT X		DIMENSIONS AND TOLERANCES IN MILLIMETERS	
DESIGNATION	EPDU M1 OU (309 32A 1P136XC13:6XC19 BLU	SK-133119-Y1	01
COTES A CONTROLER / INSPECTION DIMENSIONS	XX.XX	COTES FONCTIONNELLES / FUNCTIONAL DIMENSIONS	XX.XX
Ce document est propriété de Eaton Industries Manufacturing GmbH. Duplication interdite sans autorisation. This document is Eaton Industries Manufacturing GmbH property. Duplication forbidden without authorization.		NUMERO DU PLAN / PLAN NUMBER	REV.