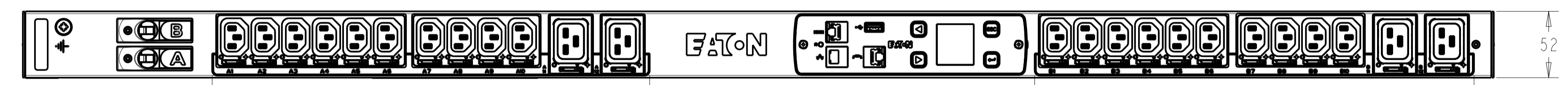
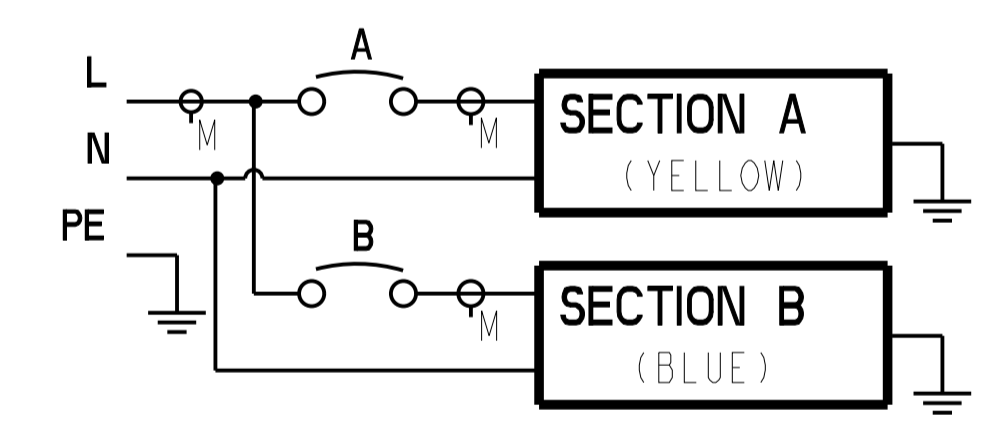


CABLE LENGTH SHOWN NOT TO SCALE

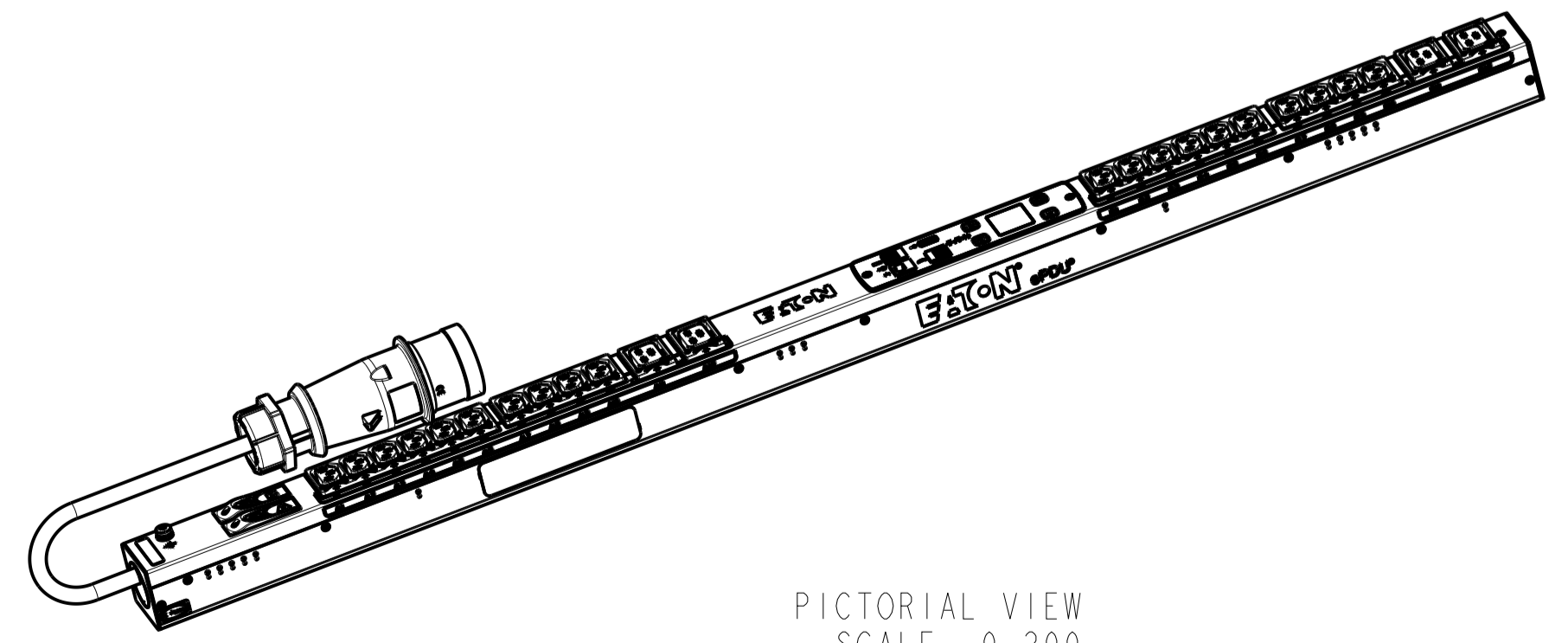


CIRCUIT SCHEMATIC



## EMIB05-30B G3+ METERED INPUT

FUNCTIONALITY	INPUT	OUTPUT	ENVIRONMENTAL
CURRENT POWER AND ENERGY METERING FOR INPUT AND BRANCH	IEC 60309-2 32A 230V 2P+E 3.0M 4.0MM H05 POWER CORD	(20) IEC 60320 C13 GRIP/P-LOCK (4) IEC 60320 C19 GRIP/P-LOCK	0 TO 60°C
MECHANICAL	INPUT RATING	OUTPUT RATING	CERTIFICATIONS
LENGTH: 1154MM WIDTH: 52 MM DEPTH: 53MM ALUMINIUM CHASSIS, BLUE MNT PATTERN SK-23919-Y1	1PHASE L+N+PE 100/230V 32A	200-240V, 10A PER C13, 16A PER C19 16A MAX PER SECTION	CE, CB
CIRCUIT BREAKERS	FILTER AND SPIKE/SURGE	ACCESSORIES	CONFIGURATION
(2) 16A 1-POLE	NONE	STANDARD KSP025 - EPDU G3 EMEA VERT INSTALL NETWORK PACK KA35 OPTIONAL EMPDTHIC2 - ENVIRONMENTAL PROBE	EM13CH8FBDD76MM



PICTORIAL VIEW  
SCALE 0.200

01	PASS FROM G3 TO G3+	07.09.2021	YEW	MB
00	INITIAL RELEASE	13.06.2018	VV	MB
REV. MODIFICATION		DATE	DESS/DRAW	VERIF.
<b>EATON</b> HEINEMANN PRODUCTS		VUE/VIEW EUROPE	ECHELLE / SCALE 4/10	N° MAG EMIB05-30B
CH-1345 LE LIEU SWITZERLAND		DESSINE LE / DRAWN THE	13.06.2018	
TRAITEMENT / FINISH NA		PAR / BY	VV	
Matiere / Material NA		VERIFIE PAR / VERIFIED BY	MB	
NIVEAU DU CERTIFICAT DE SOUMISSION REDUIS / SAMPLES APPROVAL PROCESS REPORT X		DIMENSIONS AND TOLERANCES IN MILLIMETERS		
DESIGNATION EPDU M1 0U (309 32A 1P)20XC13:4XC19 BLU		SK-124419-Y1	01	
COTES A CONTROLER / INSPECTION DIMENSIONS	XX.XX	COTES FONCTIONNELLES / FUNCTIONAL DIMENSIONS	XX.XX	NUMERO DU PLAN / PLAN NUMBER
Ce document est propriété de Eaton Industries Manufacturing GmbH. Duplication interdite sans autorisation. This document is Eaton Industries Manufacturing GmbH property. Duplication forbidden without authorization.				