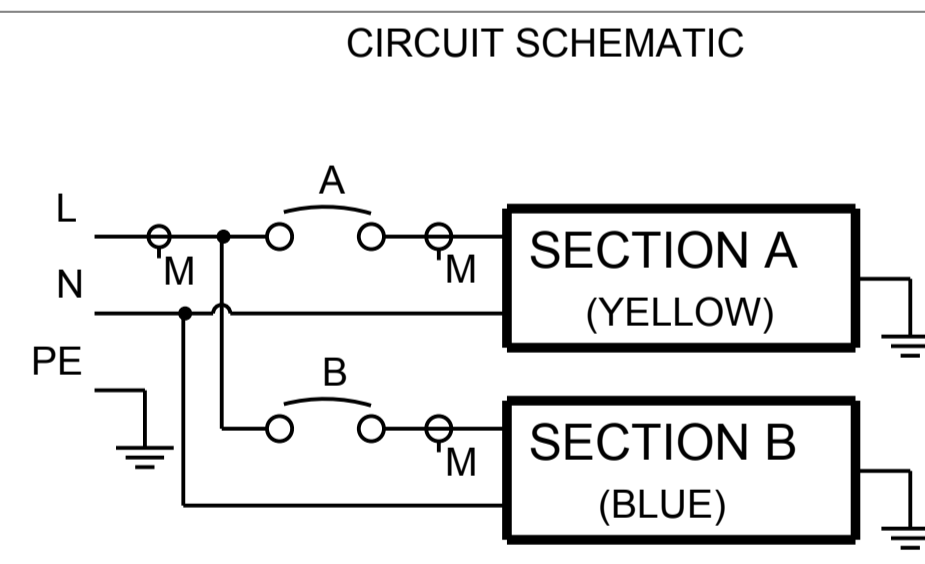


PICTORIAL VIEW  
REFERENCE ONLY



| EMIH06  |  | G3 METERED INPUT   |                |
|---|--|--|----------------|
| FUNCTIONALITY   | INPUT  | OUTPUT   | ENVIRONMENTAL  |
| CURRENT POWER AND ENERGY METERING FOR INPUT AND BRANCH                          | IEC 60309-2 32A 230V 2P+E<br>3.0M 4.0MM HO5 POWER CORD | (12) IEC 60320 C13 GRIP<br>(4) IEC 60320 C19 GRIP  | 0 TO 60 °C     |
| MECHANICAL  | INPUT RATING   | OUTPUT RATING  | CERTIFICATIONS |
| LENGTH: 127 MM<br>WIDTH: 444.5 MM<br>DEPTH: 87.2 MM<br>ALUMINIUM CHASSIS, BLACK | 1PHASE L+N+PE<br>100/230v<br>32A                       | 200-240V, 10A PER C13, 16A PER C19<br>16A MAX PER SECTION  | CE, CB         |
| CIRCUIT BREAKERS  | FILTER AND SPIKE/SURGE                                 | ACCESSORIES  | CONFIGURATION  |
| (2) 16A 1-POLE  | NONE   | STANDARD<br>KSP013 - 2U INSTALLATION AND NETWORK KIT<br>OPTIONAL<br>EMP001 - ENVIRONMENTAL PROBE | EMI3CHJFDB21AM |

|   |                                     |  |                     |                              |
|---|-------------------------------------|--|---------------------|------------------------------|
| 01 ASSY PART NUMBER CORRECTION, WAS: EMI3CCJFADB21AM  |                                     | 29.04.2016                                   | CW                  | MB                           |
| REV   | MODIFICATION                        | DATE   | DESIGNER            | VERIF                        |
| EAT-ON HEINEMANN PRODUCTS   |                                     | VUE/VIEW EUROPE                              | ECHELLE / SCALE 1/2 | N° MAG EMIH06                |
| CH-1345 LE LIEU SWITZERLAND   |                                     | DESSEINE LE / DRAWN THE                      | 17.03.2016          |                              |
|   |                                     | PAR / BY                                     | G.McD.              |                              |
| TOLERANCE GENERALE / GENERAL TOLERANCE  |                                     | VERIFIE PAR / VERIFIED BY M.B.               |                     |                              |
| TRAITEMENT / FINISH NA  |                                     |  |                     |                              |
| MATIERE / MATERIAL NA   |                                     |  |                     |                              |
| NIVEAU DU CERTIFICAT DE SOUMISSION REQUIS / SAMPLES APPROVAL PROCESS REPORT X   |                                     | DIMENSIONS AND TOLERANCES IN MILLIMETERS     |                     |                              |
| DESIGNATION   | EPDU MI 2U (309 32A 1P)C13x12:C19x4 | SK-78219-Y1                                  | 01                  |                              |
| COTES A CONTROLER / INSPECTION DIMENSIONS   | XX.XX                               | COTES FONCTIONNELLES / FUNCTIONAL DIMENSIONS | # XX.XX             | NUMERO DU PLAN / PLAN NUMBER |
| Ce document est propriété de Eaton Industries Manufacturing GmbH. Duplication interdite sans autorisation.<br>This document is Eaton Industries Manufacturing GmbH property. Duplication forbidden without authorization. |                                     |  |                     |                              |