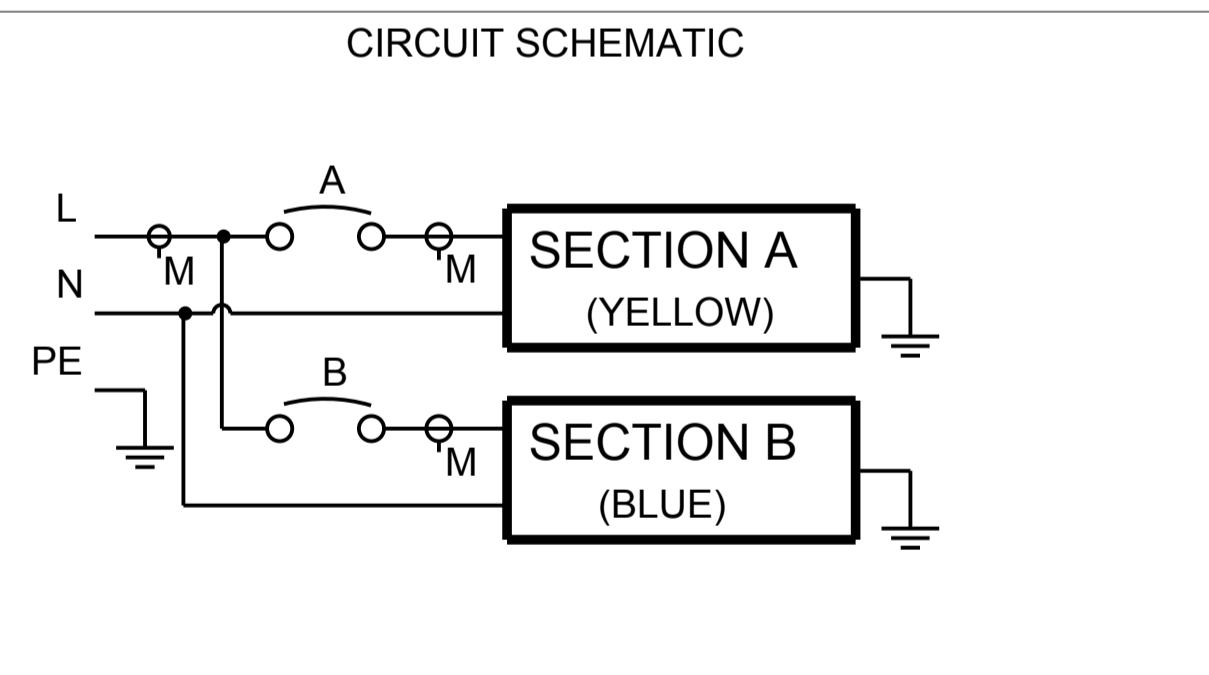
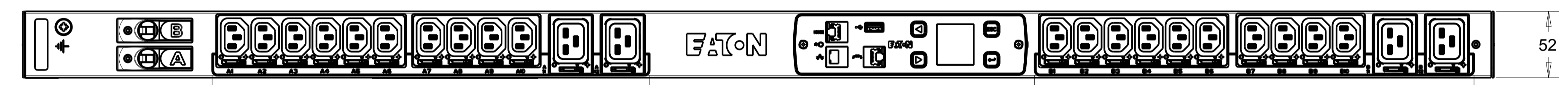
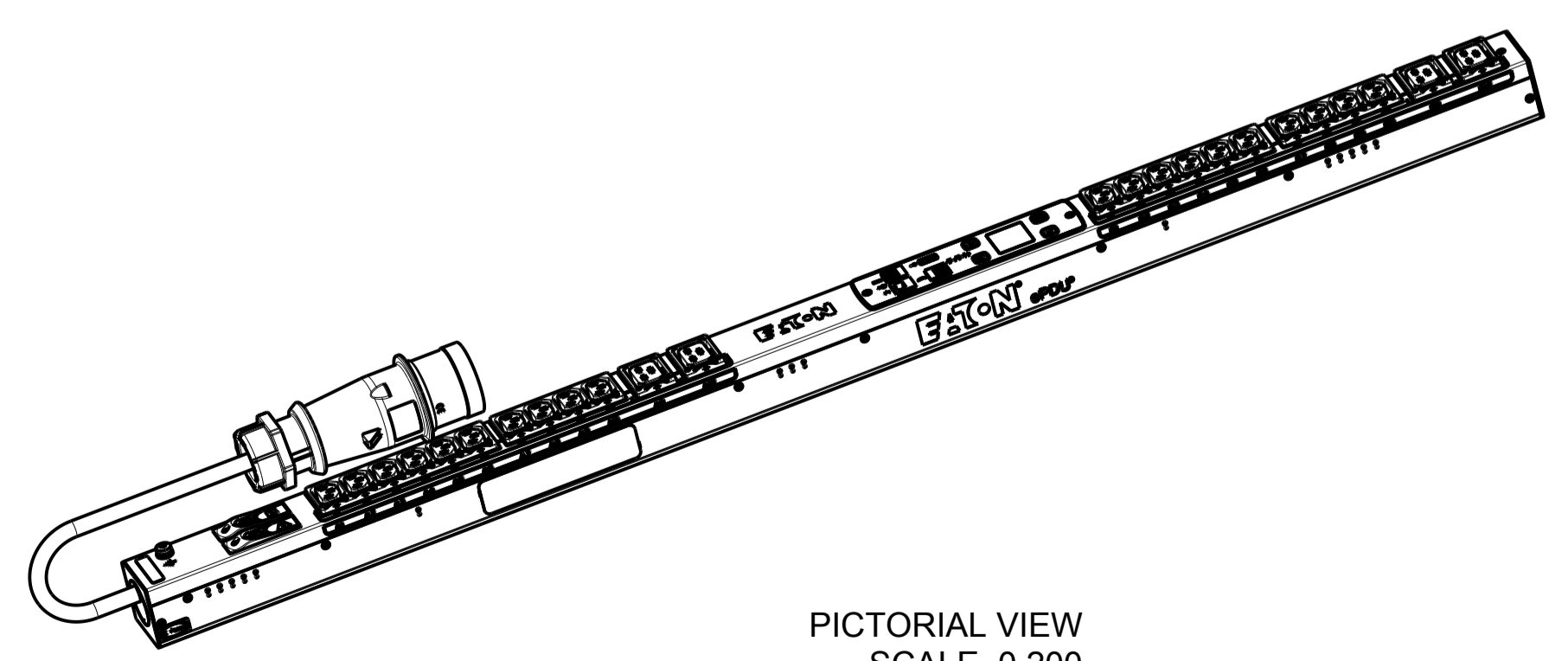


CABLE LENGTH SHOWN NOT TO SCALE



EMIB05		G3+ METERED INPUT	
FUNCTIONALITY	INPUT	OUTPUT	ENVIRONMENTAL
CURRENT POWER AND ENERGY METERING FOR INPUT AND BRANCH	IEC 60309-2 32A 230V 2P+E 3.0M 4.0MM HO5 POWER CORD	(20) IEC 60320 C13 GRIP / P-LOCK (4) IEC 60320 C19 GRIP / P-LOCK	0 TO 60 °C
MECHANICAL	INPUT RATING	OUTPUT RATING	CERTIFICATIONS
LENGTH: 1154MM WIDTH: 52 MM DEPTH: 53MM ALUMINIUM CHASSIS, BLACK MNT PATTERN SK-23919-Y1	1PHASE L+N+PE 100/230v 32A	200-240V, 10A PER C13, 16A PER C19 16A MAX PER SECTION	CE, CB
CIRCUIT BREAKERS	FILTER AND SPIKE/SURGE	ACCESSORIES	CONFIGURATION
(2) 16A 1-POLE	NONE	STANDARD KSP025 - VERT INSTALLATION AND NETWORK KIT KA35 OPTIONAL EM PDT1H1C2 - ENVIRONMENTAL PROBE	EMI3CH8FBDD76AM



PICTORIAL VIEW
SCALE 0.200

02 CHANGE PACK FROM KSP015 TO KSP025		11.05.2017	VV	MB
01 REVISED TO FIX GRAPHICS		21.05.2014	G.McD.	M.B.
00 INITIAL RELEASE		27.01.2014		M.B.
REV. MODIFICATION		DATE	DESIGNER	VERIF.
		HEINEMANN PRODUCTS		VUE/VIEW
		CH-1345 LE LIEU SWITZERLAND		ECHELLE / SCALE
TRAITEMENT / FINISH NA		DATE		N° MAG
MATIERE / MATERIAL NA		DESIGNEE LE / DRAWED THE		EMIB05
NIVEAU DU CERTIFICAT DE SOUMISSION REQUIS / SAMPLES APPROVAL PROCESS REPORT X		DIMENSIONS AND TOLERANCES IN MILLIMETERS		
DESIGNATION EPDU MI 0U (309 32A 1P)20XC13:4XC19		PAR / BY		NUMERO DU PLAN
COTES A CONTROLER INSPECTION DIMENSIONS XX.XX		COTES FONCTIONNELLES FUNCTIONAL DIMENSIONS # XX.XX		PLAN NUMBER
Ce document est propriété de Eaton Industries Manufacturing GmbH. Duplication interdite sans autorisation. This document is Eaton Industries Manufacturing GmbH property. Duplication forbidden without authorization.				