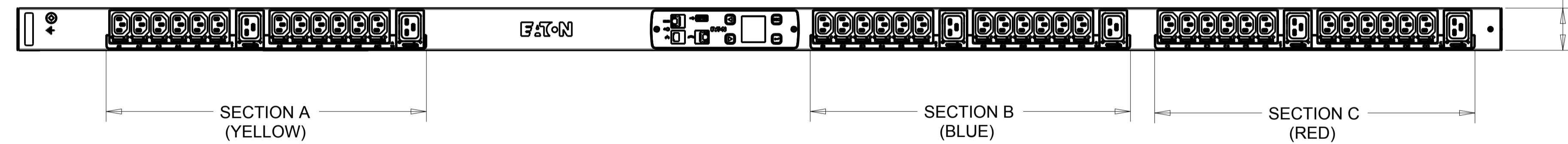
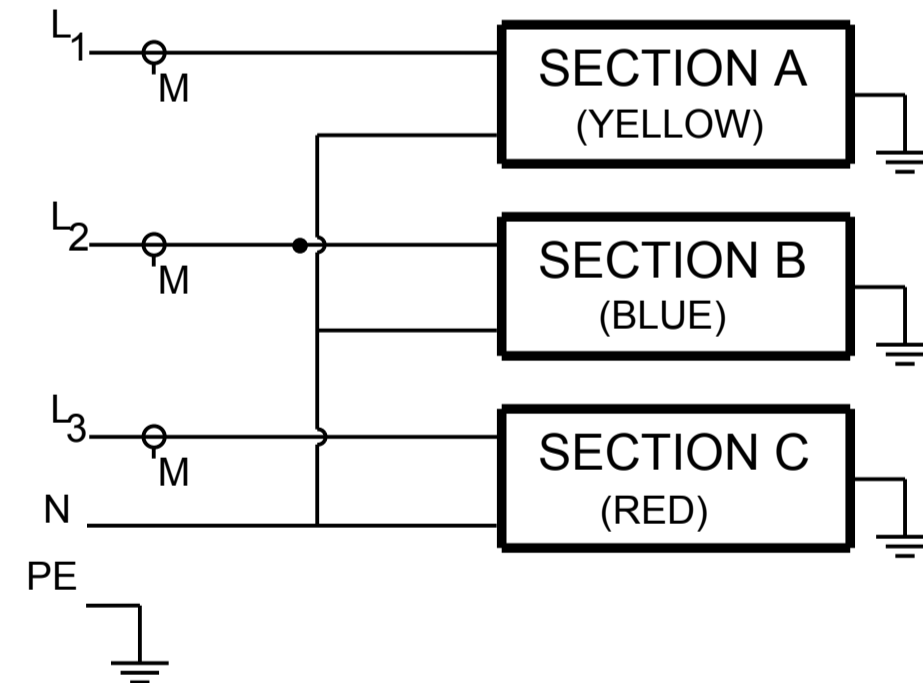


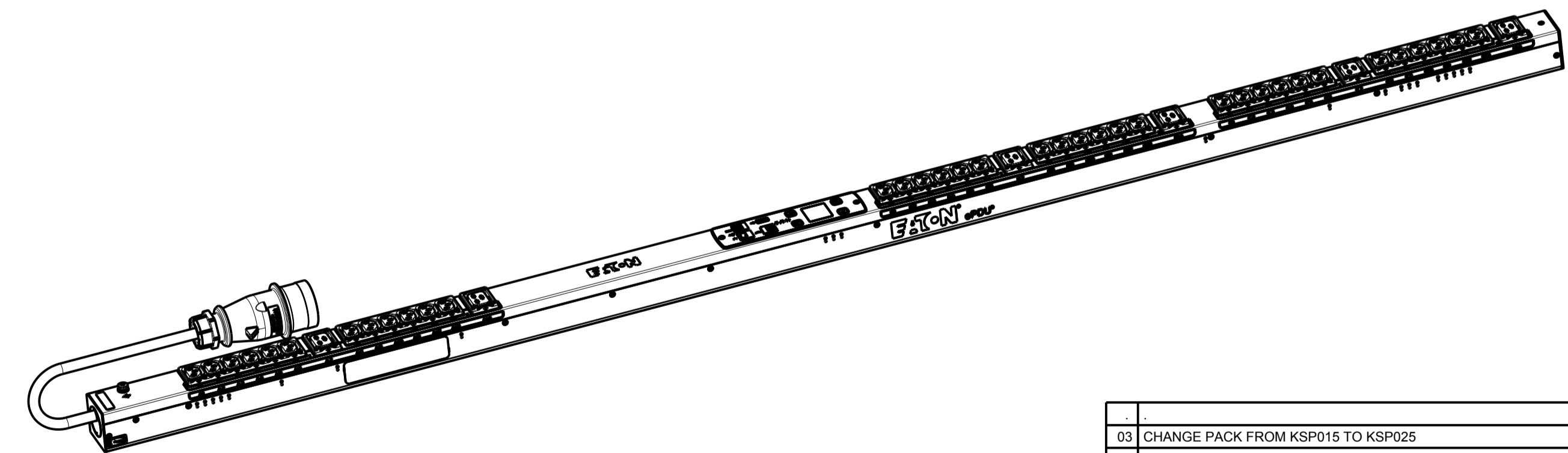
CABLE LENGTH SHOWN NOT TO SCALE

CIRCUIT SCHEMATIC



EMIB00 G3+ METERED INPUT

FUNCTIONALITY	INPUT	OUTPUT	ENVIRONMENTAL
CURRENT POWER AND ENERGY METERING FOR INPUT AND BRANCH	IEC 60309-2 16A 400V~ WYE, 3W+N+PE 1.5MM HO7 POWER CORD CABLE LENGTH: 3.0M	(36) IEC 60320 C13 GRIP / P-LOCK (6) IEC 60320 C19 GRIP / P-LOCK	0 TO 60 °C
MECHANICAL	INPUT RATING	OUTPUT RATING	CERTIFICATIONS
LENGTH: 1829MM WIDTH: 52 MM DEPTH: 53MM ALUMINIUM CHASSIS, BLACK MNT PATTERN SK-23919-Y1	3Ø;346-415V~; WYE, 3W+N+PE 50/60HZ 16A	200-240V~;50/60Hz 10A PER C13;16A PER C19 16A MAX PER SECTION 16A MAX TOTAL	CE, CB
CIRCUIT BREAKERS	FILTER AND SPIKE/SURGE	ACCESSORIES	CONFIGURATION
NONE	NONE	STANDARD KSP025 - VERT INSTALLATION AND NETWORK PACK KA35 OPTIONAL EMPDT1H1C2 - ENVIRONMENTAL PROBE	EMI3DA8FAGK7BAM



PICTORIAL VIEW
SCALE 0.187

03 CHANGE PACK FROM KSP015 TO KSP025	20.07.2017	VV	MB	
02 REVISED INPUT RATING.	19.01.2016	G.McD.	M.B.	
01 FIXED MISSING GRAPHICS.	14.05.2014	G.McD.	M.B.	
00 INITIAL RELEASE	21.02.2014	G.McD.	M.B.	
REV. MODIFICATION	DATE	DESIGNER	VERIF.	
HEINEMANN PRODUCTS CH-1345 LE LIEU SWITZERLAND		VUE/VIEW 1ST ANGLE	ECHELLE / SCALE 3/16	N° MAG EMIB00
		DESSINE LE / DRAWN THE PAR / BY		21.02.2014
TOLERANCE GENERALE / GENERAL TOLERANCE		VERIFIE PAR / VERIFIED BY M.B.		
TRAITEMENT / FINISH NA				
MATIERE / MATERIAL NA				
NIVEAU DU CERTIFICAT DE SOUMISSION REQUIS / SAMPLES APPROVAL PROCESS REPORT		X	DIMENSIONS AND TOLERANCES IN MILLIMETERS	
DESIGNATION	EPDU MI 0U (3Ø9 16A 3P)36XC13:6XC19	SK-30419-Y1	03	
COTES A CONTROLER INSPECTION DIMENSIONS	XX.XX	COTES FONCTIONNELLES FUNCTIONAL DIMENSIONS	# XX.XX	
Ce document est propriété de Eaton Industries Manufacturing GmbH. Duplication interdite sans autorisation. This document is Eaton Industries Manufacturing GmbH property. Duplication forbidden without authorization.		NUMERO DU PLAN PLAN NUMBER		