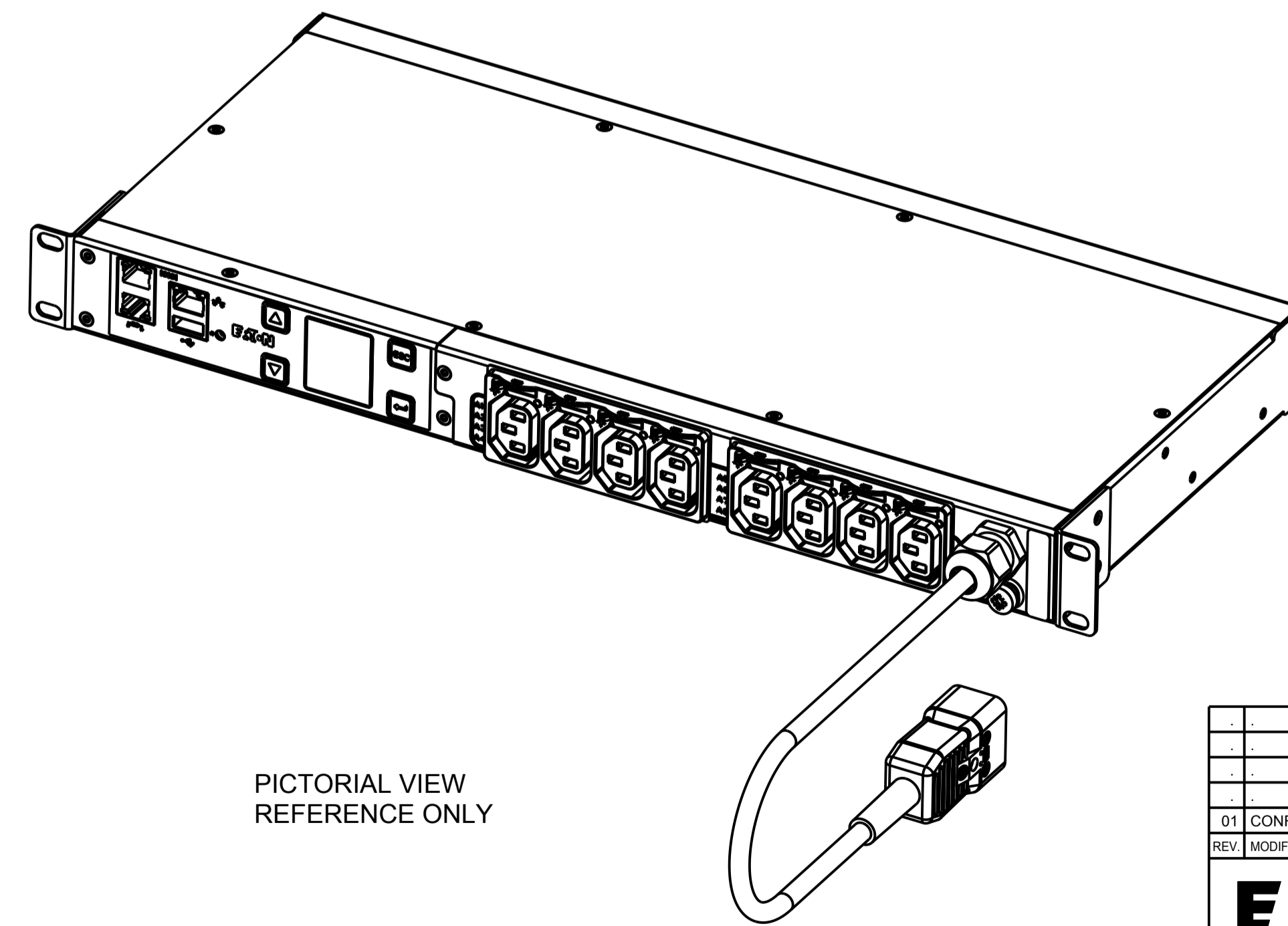
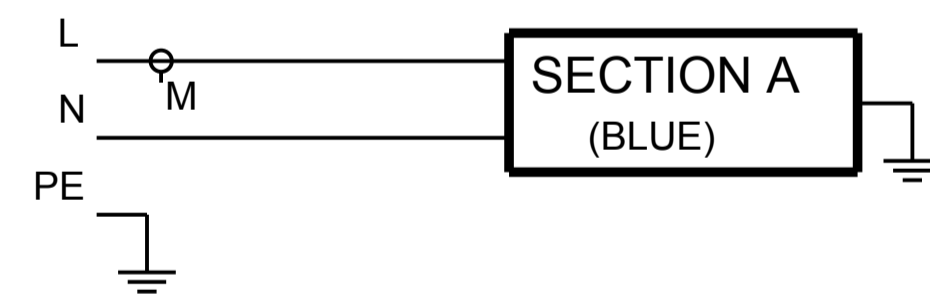


CABLE SHOWN NOT TO SCALE

CIRCUIT SCHEMATIC



PICTORIAL VIEW REFERENCE ONLY

EMIH28		G3+ METERED INPUT	
FUNCTIONALITY	INPUT	OUTPUT	ENVIRONMENTAL
CURRENT POWER AND ENERGY METERING FOR INPUT AND BRANCH	IEC 60309 C20 16A 230V~ W+N+PE 1.5MM HO5 POWER CORD CABLE LENGTH: 3.0 M	(8) IEC 60320 C13 GRIP / P-LOCK	0 TO 60 ° C
MECHANICAL	INPUT RATING	OUTPUT RATING	CERTIFICATIONS
LENGTH: 203.2 MM WIDTH: 444.5 MM DEPTH: 42.9 MM ALUMINIUM CHASSIS, BLACK 19 INCH RACK MOUNT	1Ø; 200-240V~;W+N+PE 50/60HZ 16A	200-240V~;50/60HZ 10A PER C13 16A MAX TOTAL	CE, CB
CIRCUIT BREAKERS	FILTER AND SPIKE/SURGE	ACCESSORIES	CONFIGURATION
NONE	NONE	STANDARD KSP011 - 1U INSTALL NETWORK PACK OPTIONAL EM PDT1H1C2 - ENVIRONMENTAL PROBE	EMI3CXHFABB13AM

01 CONFIGURATION NUMBER CORRECTION, WAS: EMI3CCHFABB13AM		18.05.2016	CW	MB
REV	MODIFICATION	DATE	DESIGNER	VERIF
<b>EATON</b> HEINEMANN PRODUCTS		VUE/VIEW EUROPE: 1/2	N° MAG: EMIH28	
CH-1345 LE LIEU SWITZERLAND		DESIGNEE LE / DRAWN THE: 29.02.2016	PAR / BY: CW	
TOLERANCE GENERALE / GENERAL TOLERANCE		VERIFIE PAR / VERIFIED BY: MB		
TRAITEMENT / FINISH: NA				
MATIERE / MATERIAL: NA				
NIVEAU DU CERTIFICAT DE SOUMISSION REQUIS / SAMPLES APPROVAL PROCESS REPORT: X		DIMENSIONS AND TOLERANCES IN MILLIMETERS		
DESIGNATION	EPDU MI 1U (C20 16A 1P)C13X8	SK-77119-Y1	01	
COTES A CONTROLER / INSPECTION DIMENSIONS: XX.XX	COTES FONCTIONNELLES / FUNCTIONAL DIMENSIONS: # XX.XX	NUMERO DU PLAN / PLAN NUMBER		
Ce document est propriété de Eaton Industries Manufacturing GmbH. Duplication interdite sans autorisation. This document is Eaton Industries Manufacturing GmbH property. Duplication forbidden without authorization.				