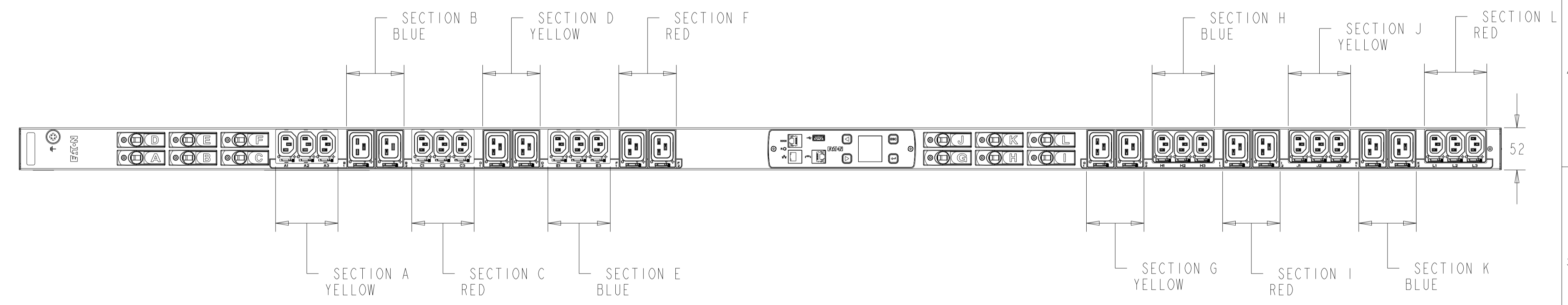
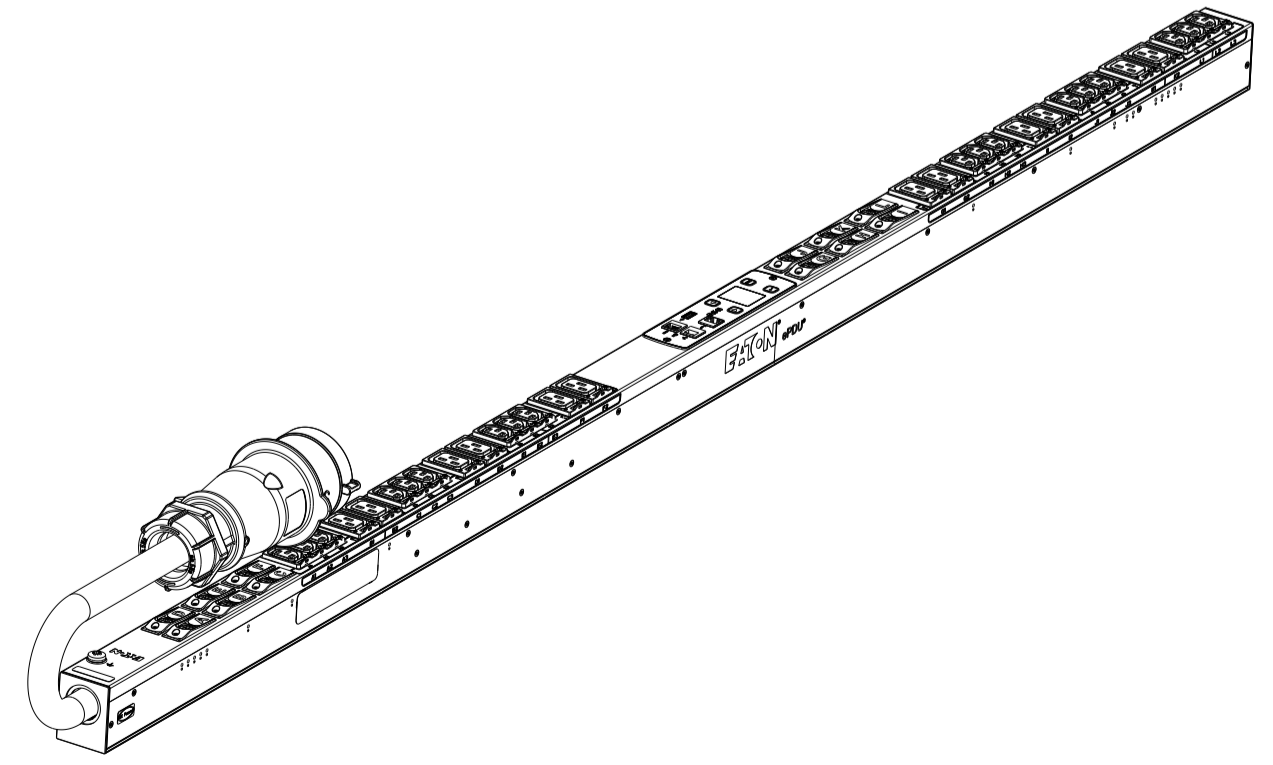


CABLE LENGTH SHOWN NOT TO SCALE



EMIB352		G3 METERED INPUT	
FUNCTIONALITY	INPUT	OUTPUT	ENVIRONMENTAL
CURRENT POWER AND ENERGY METERING FOR INPUT AND BRANCH	IEC 60309-2 63A 400V~ WYE, 3W+N+PE 16.0mm ² H07 POWER CORD CABLE LENGTH: 3.0m	(18) IEC 60320 C13 GRIP/P-LOCK (12) IEC 60320 C19 GRIP/P-LOCK ALTERNATING SECTIONS	0 TO 60°C
MECHANICAL	INPUT RATING	OUTPUT RATING	CERTIFICATIONS
LENGTH: 1829 mm WIDTH: 52 mm DEPTH: 65 mm ALUMINIUM CHASSIS, BLACK MNT PATTERN SK-23919-Y1	200-240/346-415V~ 3W+N+PE 50/60Hz 63A	200-240V~; 50/60Hz 10A PER C13; 16A PER C19 16A MAX PER SECTION 63A MAX TOTAL	CE
CIRCUIT BREAKERS	FILTER AND SPIKE/SURGE	ACCESSORIES	CONFIGURATION
(12) 16A 1-POLE	NONE	STANDARD KSP025 - VERT INSTALLATION AND NETWORK PACK KA35 OPTIONAL EMPTIHIC2 - ENVIRONMENTAL PROBE	EM16DW8FBJ28BAM



PICTORIAL VIEW
SCALE 0.150

REV.	MODIFICATION	DATE	DESS/DRAW	VERIF.
EATON HEINEMANN PRODUCTS		VUE/VIEW 1ST ANGLE	ECHELLE / SCALE 3/10	N° MAG EMIB352
CH-1345 LE LIEU SWITZERLAND		DESSINE LE / DRAWN THE PAR / BY		01.12.2021 YS
TOLERANCE GENERALE / GENERAL TOLERANCE ±0.1 ±0.5*		VERIFIE PAR / VERIFIED BY		ENOVIA
TRAITEMENT / FINISH N/A		N/A		
MATIERE / MATERIAL N/A		N/A		
NIVEAU DU CERTIFICAT DE SOUMISSION REQUIS / SAMPLES APPROVAL PROCESS REPORT N/A		DIMENSIONS AND TOLERANCES IN MILLIMETERS		
DESIGNATION EPDU MI DU (309-63A-3P)18XC13:12XC19		NUMERO DU PLAN PLAN NUMBER		SK-203319-Y1 00
COTES A CONTROLER INSPECTION DIMENSIONS		COTES FONCTIONNELLES FUNCTIONAL DIMENSIONS		# XX.XX
Ce document est propriété de Eaton Industries Manufacturing GmbH. Duplication interdite sans autorisation. This document is Eaton Industries Manufacturing GmbH property. Duplication forbidden without authorization.				