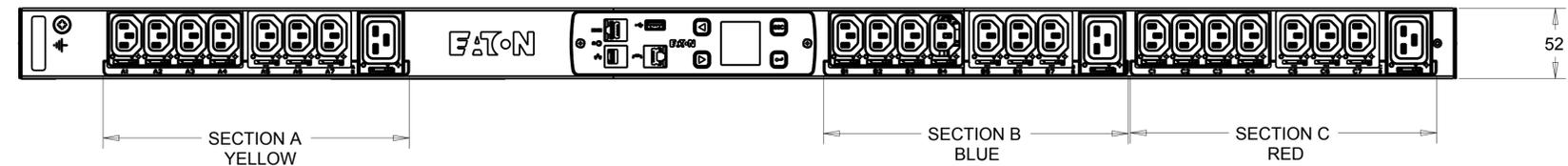
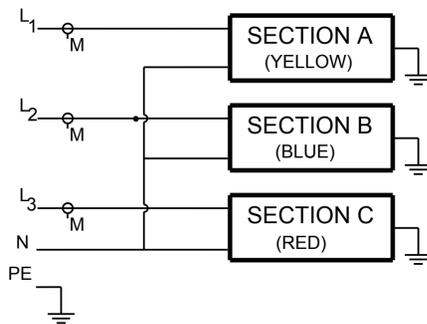


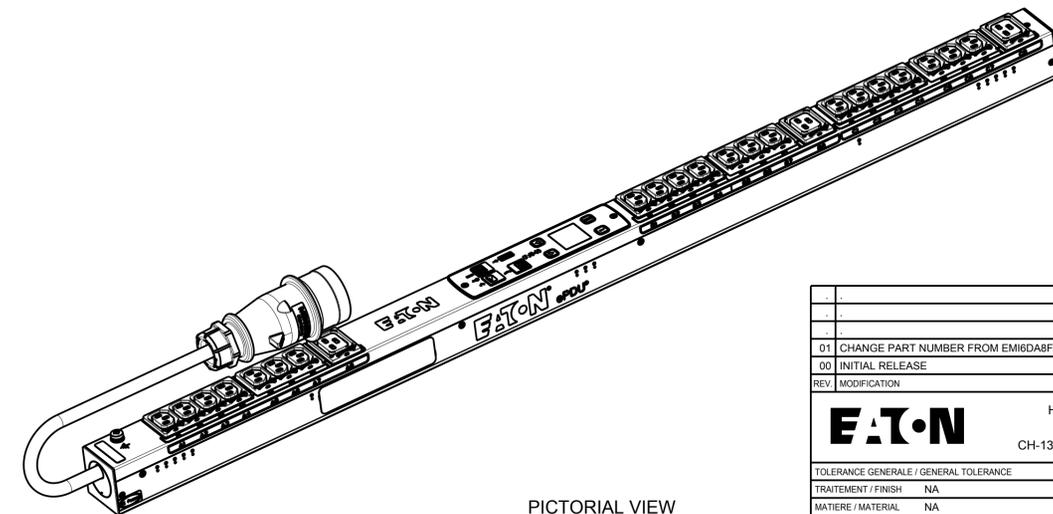
CABLE LENGTH SHOWN NOT TO SCALE

CIRCUIT SCHEMATIC



EMIB20 G3+ METERED INPUT

| | | | |
|--|---|---|-----------------|
| FUNCTIONALITY | INPUT | OUTPUT | ENVIRONMENTAL |
| CURRENT POWER AND ENERGY METERING FOR INPUT AND BRANCH | IEC 60309-2 16A 230/400V 3P+N+E 1.5MM HO7 POWER CORD CABLE LENGTH: 3.0M | (21) IEC 60320 C13 GRIP / P-LOCK (3) IEC 60320 C19 GRIP / P-LOCK | 0 TO 60 °C |
| MECHANICAL | INPUT RATING | OUTPUT RATING | CERTIFICATIONS |
| LENGTH: 1070MM WIDTH: 52 MM DEPTH: 53MM ALUMINIUM CHASSIS, BLACK MNT PATTERN SK-23919-Y1 | 3Ø;346-415V~; WYE, 3W+N+PE 50/60HZ 16A | 200-240V~;50/60HZ 10A PER C13;16A PER C19 16A MAX PER SECTION 16A MAX TOTAL | CE, CB |
| CIRCUIT BREAKERS | FILTER AND SPIKE/SURGE | ACCESSORIES | CONFIGURATION |
| NONE | NONE | STANDARD KSP025 - VERT INSTALLATION AND NETWORK PACK KA35 OPTIONAL EMPDT1H1C2 - ENVIRONMENTAL PROBE | EMI3DA8FABJ75AM |



PICTORIAL VIEW
REFERENCE ONLY
SCALE 0.300

| | | | | |
|---|---|--|-----------------------|-------------------------------|
| 01 CHANGE PART NUMBER FROM EMI6DA8FABJ75AM TO EMI3DA8FABJ75AM | | 12.04.2017 | VV | MB |
| 00 INITIAL RELEASE | | 15.03.2017 | VV | MB |
| REV / MODIFICATION | | DATE | DESIGNER | VERIF |
| EATON HEINEMANN PRODUCTS | | VUE/VIEW EUROPE: 4/10 | ECHELLE / SCALE: 4/10 | N° MAG: EMI3DA8FABJ75AM |
| CH-1345 LE LIEU SWITZERLAND | | DESSEINE LE / DRAWN THE: 15.03.2017 | PAR / BY: VV | VERIFIE PAR / VERIFIED BY: MB |
| TOLERANCE GENERALE / GENERAL TOLERANCE | | NIVEAU DU CERTIFICAT DE SOUMISSION REQUIS / SAMPLES APPROVAL PROCESS REPORT X DIMENSIONS AND TOLERANCES IN MILLIMETERS | | |
| TRAITEMENT / FINISH: NA | | DESIGNATION: EPDU MI 0U (3Ø 16A 3P)21XC13;3XC19 | | |
| MATIERE / MATERIAL: NA | | SK-100319-Y1 | | 01 |
| COTES A CONTROLER / INSPECTION DIMENSIONS: XX.XX | COTES FONCTIONNELLES / FUNCTIONAL DIMENSIONS: # XX.XX | NUMERO DU PLAN / PLAN NUMBER | | |

Ce document est propriété de Eaton Industries Manufacturing GmbH. Duplication interdite sans autorisation. This document is Eaton Industries Manufacturing GmbH property. Duplication forbidden without authorization.