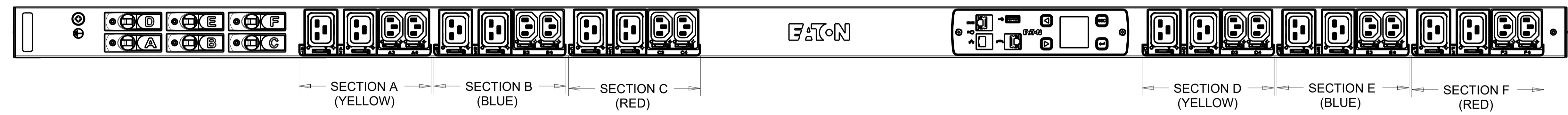
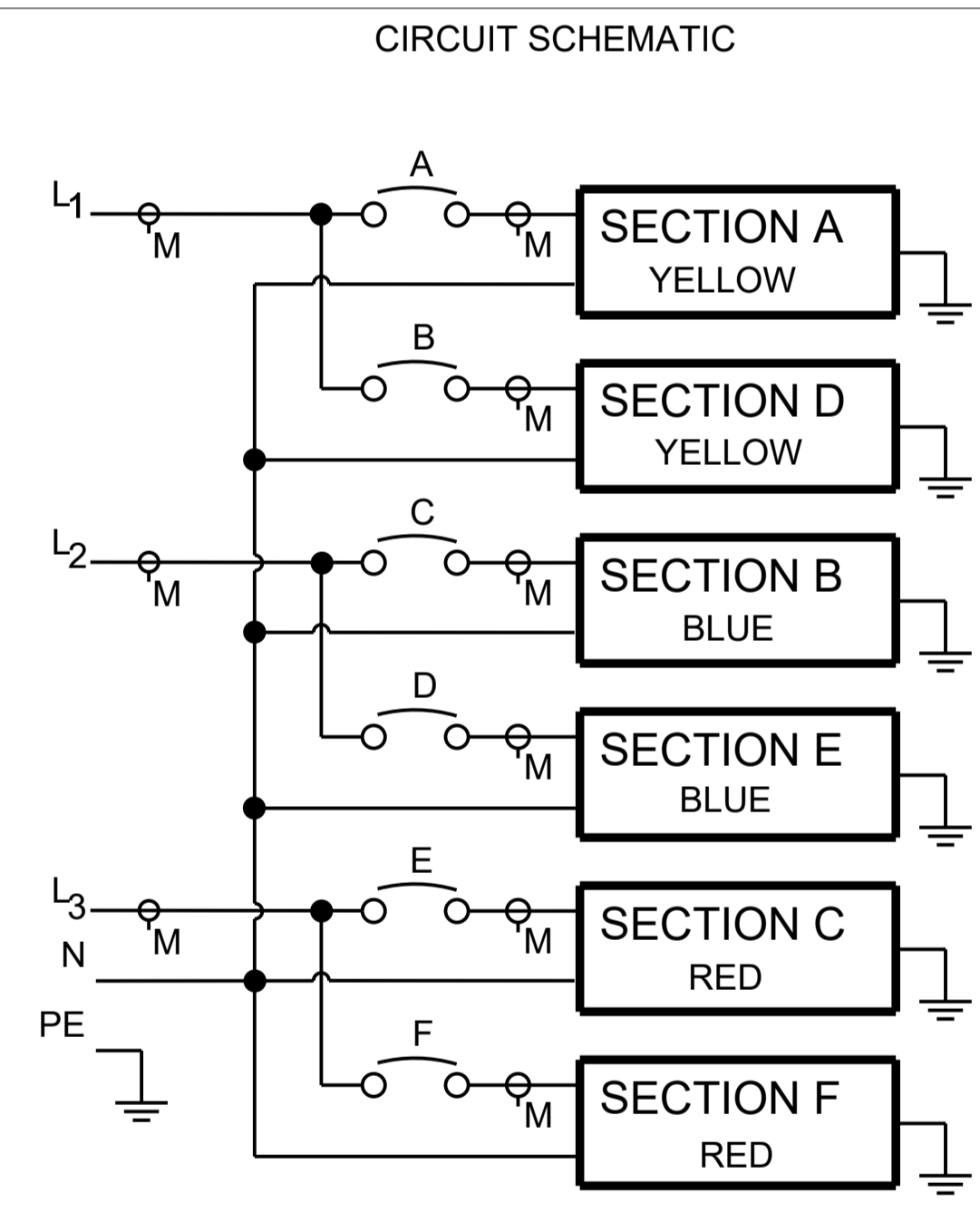
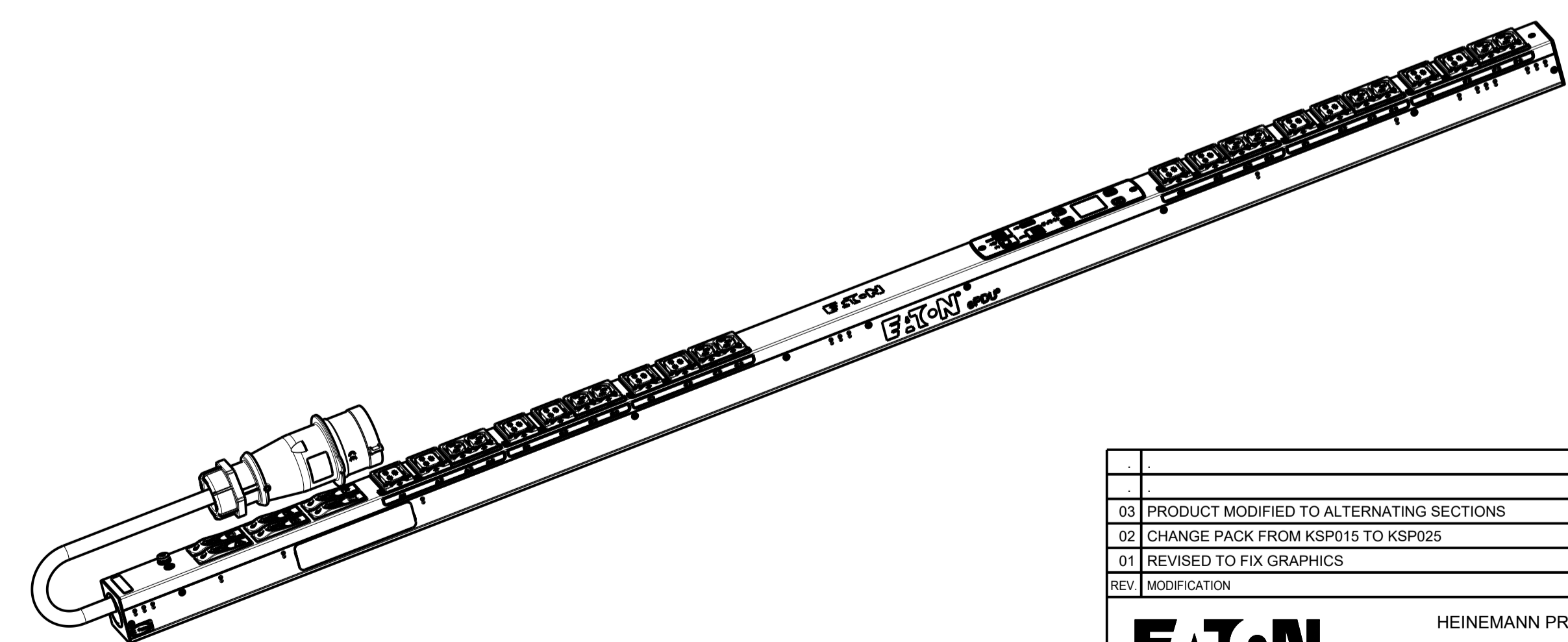


CABLE LENGTH SHOWN NOT TO SCALE



EMIB12		G3+ METERED INPUT	
FUNCTIONALITY	INPUT	OUTPUT	ENVIRONMENTAL
CURRENT POWER AND ENERGY METERING FOR INPUT AND BRANCH	IEC 60309-2 32A 400V~ WYE, 3W+N+PE 4.0MM HO7 POWER CORD CABLE LENGTH: 3.0M	(12) IEC 60320 C13 GRIP / P-LOCK (12) IEC 60320 C19 GRIP / P-LOCK ALTERNATING PHASES	0 TO 60 °C
MECHANICAL	INPUT RATING	OUTPUT RATING	CERTIFICATIONS
LENGTH: 1604MM WIDTH: 52 MM DEPTH: 53MM ALUMINIUM CHASSIS, BLACK MNT PATTERN SK-23919-Y1	3Ø;346-415V~; WYE, 3W+N+PE 50/60HZ 32A	200-240V~;50/60HZ 10A PER C13;16A PER C19 16A MAX PER SECTION 32A MAX TOTAL	CE, CB
CIRCUIT BREAKERS	FILTER AND SPIKE/SURGE	ACCESSORIES	CONFIGURATION
(6) 16A 1-POLE	NONE	STANDARD KSP025 - VEPDU G3 EMEA VERT INSTALL NETWORK PACK KA35 OPTIONAL EMPDT1H1C2 - ENVIRONMENTAL PROBE	EMI3DH8FBJF77AM



PICTORIAL VIEW  
SCALE 0.200

03 PRODUCT MODIFIED TO ALTERNATING SECTIONS		01.03.2019	AEK	M.B
02 CHANGE PACK FROM KSP015 TO KSP025		12.12.2017	AEK	M.B
01 REVISED TO FIX GRAPHICS		21.05.2014	G.McD.	M.B
REV / MODIFICATION		DATE	DESIGNER	VERIF
		HEINEMANN PRODUCTS		VUE/VIEW
		CH-1345 LE LIEU SWITZERLAND		ECHELLE / SCALE
TRAITEMENT / FINISH NA		PAR / BY G.McD.		N° MAG
MATIERE / MATERIAL NA		VERIFIE PAR / VERIFIED BY M.B.		EMIB12
NIVEAU DU CERTIFICAT DE SOUMISSION REQUIS / SAMPLES APPROVAL PROCESS REPORT X			DIMENSIONS AND TOLERANCES IN MILLIMETERS	
DESIGNATION EPDU MI 0U (3Ø9 32A 3P)12XC13:12XC19		NUMERO DU PLAN		REV.
COTES A CONTROLER		COTES FONCTIONNELLES		
INSPECTION DIMENSIONS		FUNCTIONAL DIMENSIONS		
Ce document est propriété de Eaton Industries Manufacturing GmbH. Duplication interdite sans autorisation. This document is Eaton Industries Manufacturing GmbH property. Duplication forbidden without authorization.				