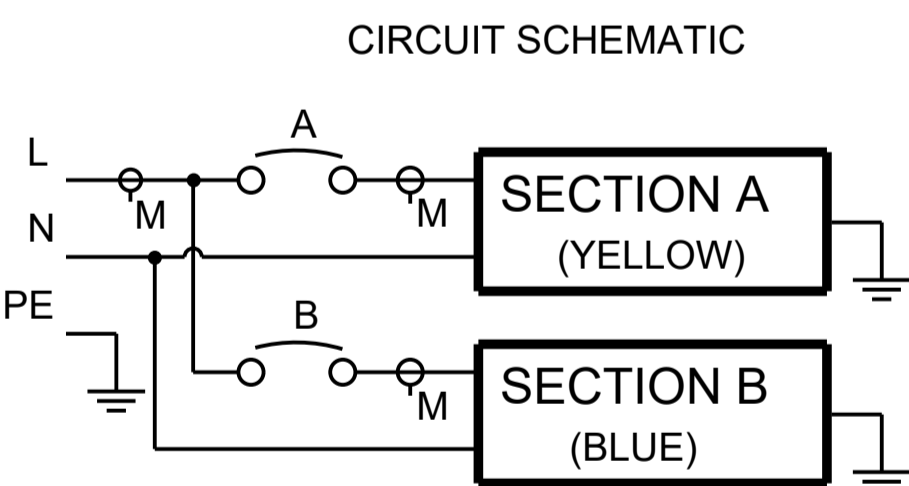
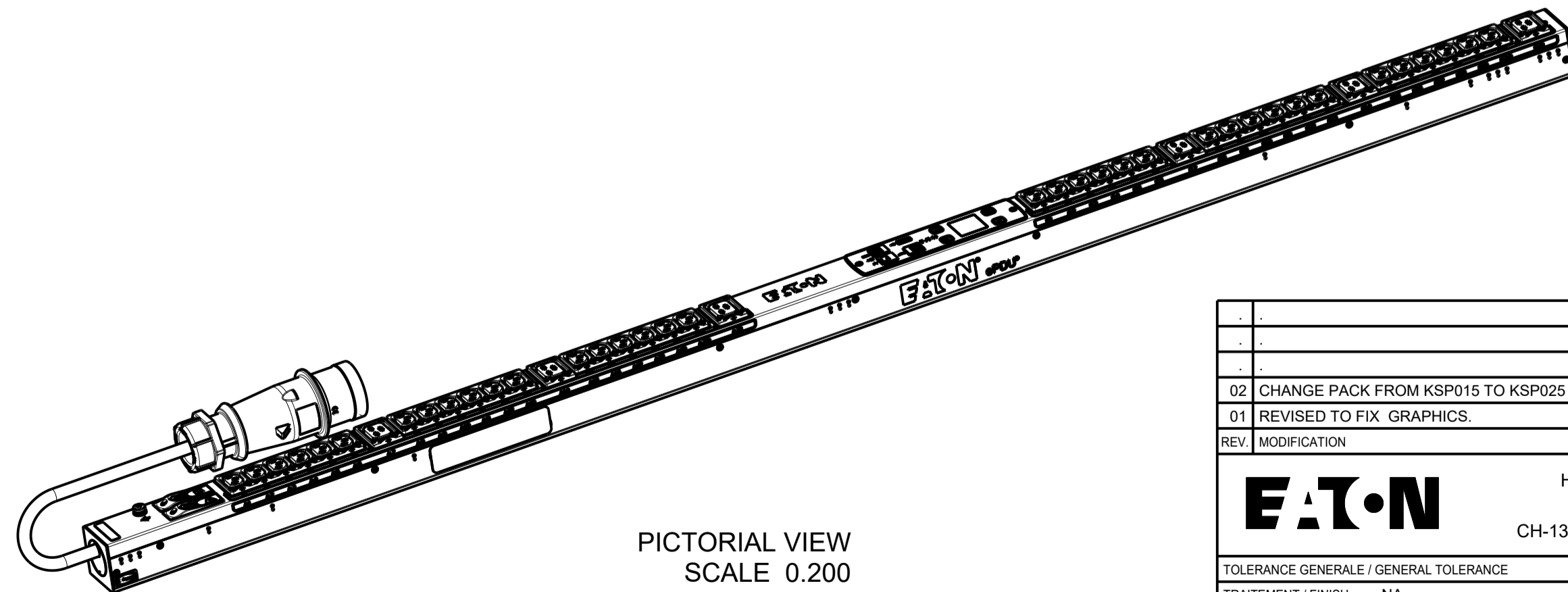


CABLE LENGTH SHOWN NOT TO SCALE



| EMIB08 | | G3+ METERED INPUT | |
|--|--|--|-----------------|
| FUNCTIONALITY | INPUT | OUTPUT | ENVIRONMENTAL |
| CURRENT POWER AND ENERGY METERING FOR INPUT AND BRANCH | IEC 60309-2 32A 230V~ W+N+PE 4.0MM HO7 POWER CORD CABLE LENGTH: 3.0M | (36) IEC 60320 C13 GRIP / P-LOCK (6) IEC 60320 C19 GRIP / P-LOCK | 0 TO 60 °C |
| MECHANICAL | INPUT RATING | OUTPUT RATING | CERTIFICATIONS |
| LENGTH: 1604MM WIDTH: 52 MM DEPTH: 53MM ALUMINIUM CHASSIS, BLACK MNT PATTERN SK-23919-Y1 | 1Ø; 200-240V~;W+N+PE 50/60HZ 32A | 200-240V~;50/60HZ 10A PER C13;16A PER C19 16A MAX PER SECTION 32A MAX TOTAL | CE, CB |
| CIRCUIT BREAKERS | FILTER AND SPIKE/SURGE | ACCESSORIES | CONFIGURATION |
| (2) 16A 1-POLE | NONE | STANDARD KSP025 - VEPDU G3 EMEA VERT INSTALL NETWORK PACK KA35 OPTIONAL EMPDT1H1C2 - ENVIRONMENTAL PROBE | EMI3CH8FBDG77AM |



| | | | | |
|---|--------------------------------------|--|-----------------|--|
| 02 CHANGE PACK FROM KSP015 TO KSP025 | | 28.11.2017 | AEK | M.B. |
| 01 REVISED TO FIX GRAPHICS. | | 21.05.2014 | G.McD. | M.B. |
| REV | MODIFICATION | DATE | DESIGNER | VERIF. |
| HEINEMANN PRODUCTS | | VUE/VIEW EUROPE: 4/10 | ECHELLE / SCALE | N° MAG |
| CH-1345 LE LIEU SWITZERLAND | | DESSINE LE / DRAWN THE | | 20.02.2014 |
| VERIFIE PAR / VERIFIED BY | | M.B. | | |
| NIVEAU DU CERTIFICAT DE SOUMISSION REQUIS / SAMPLES APPROVAL PROCESS REPORT | | X | | DIMENSIONS AND TOLERANCES IN MILLIMETERS |
| DESIGNATION | EPDU MI OU (309 32A 1P) 36XC13:6XC19 | SK-30119-Y1 | | 02 |
| COTES A CONTROLER / INSPECTION DIMENSIONS | XX.XX | COTES FONCTIONNELLES / FUNCTIONAL DIMENSIONS | # XX.XX | NUMERO DU PLAN / PLAN NUMBER |
| Ce document est propriété de Eaton Industries Manufacturing GmbH. Duplication interdite sans autorisation. This document is Eaton Industries Manufacturing GmbH property. Duplication forbidden without authorization. | | | | |