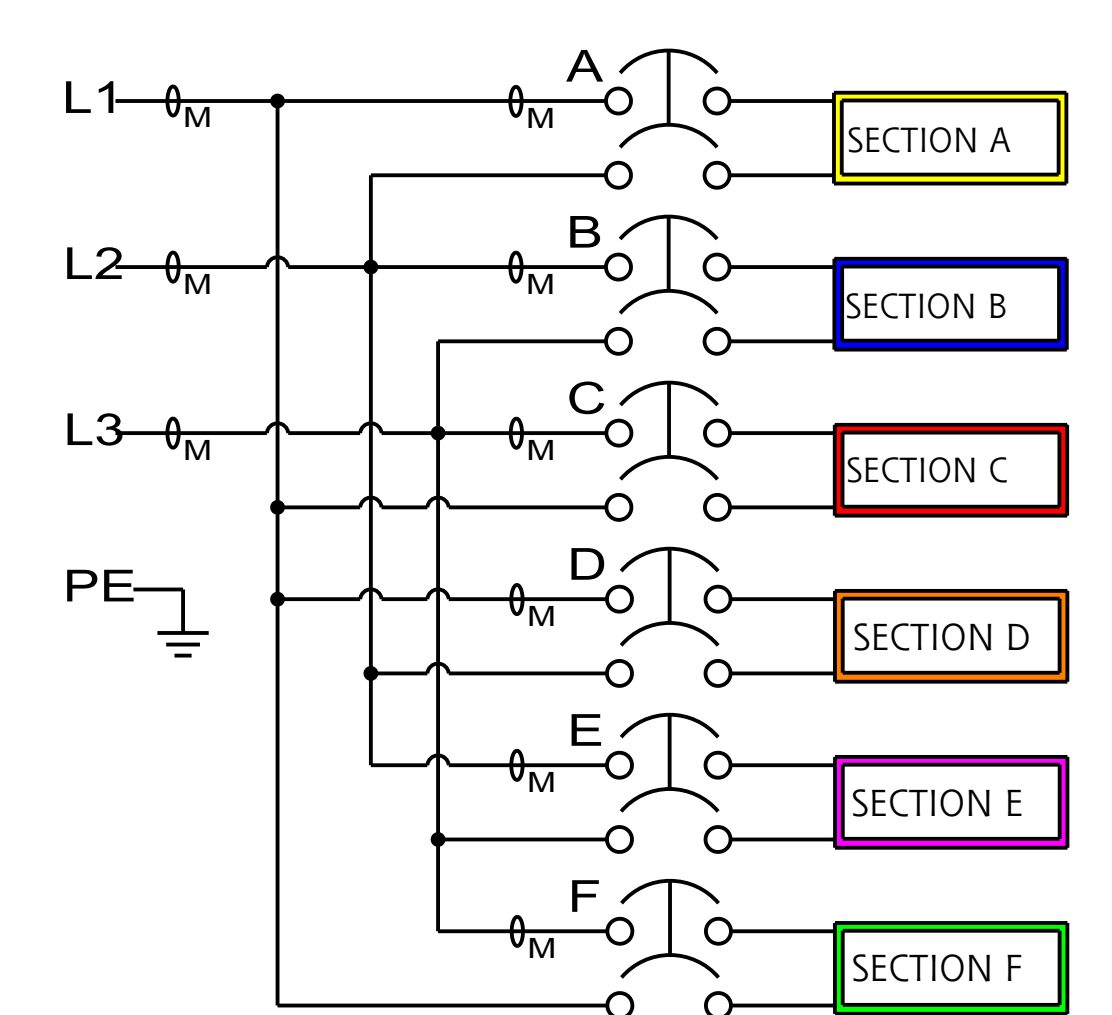
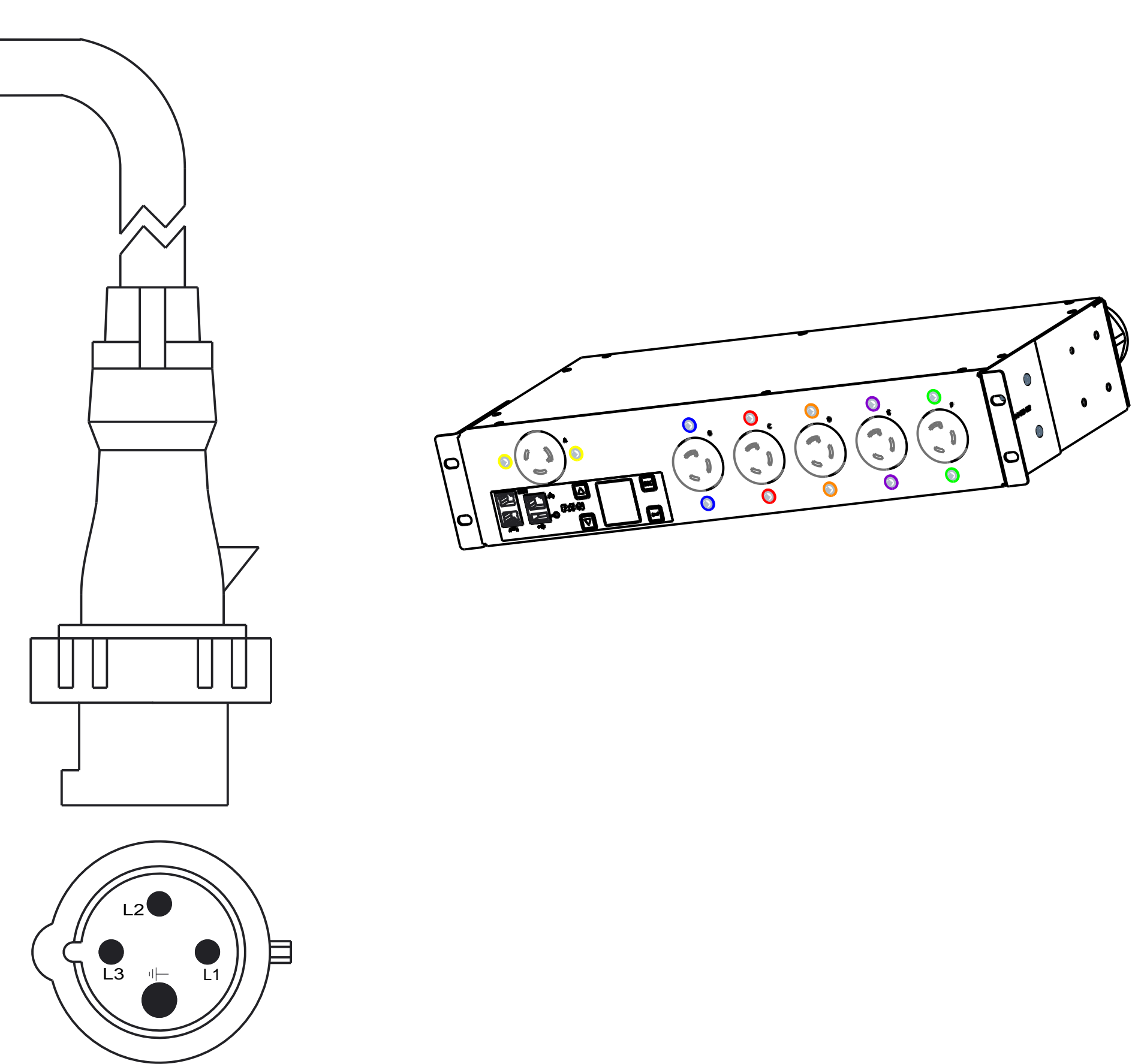
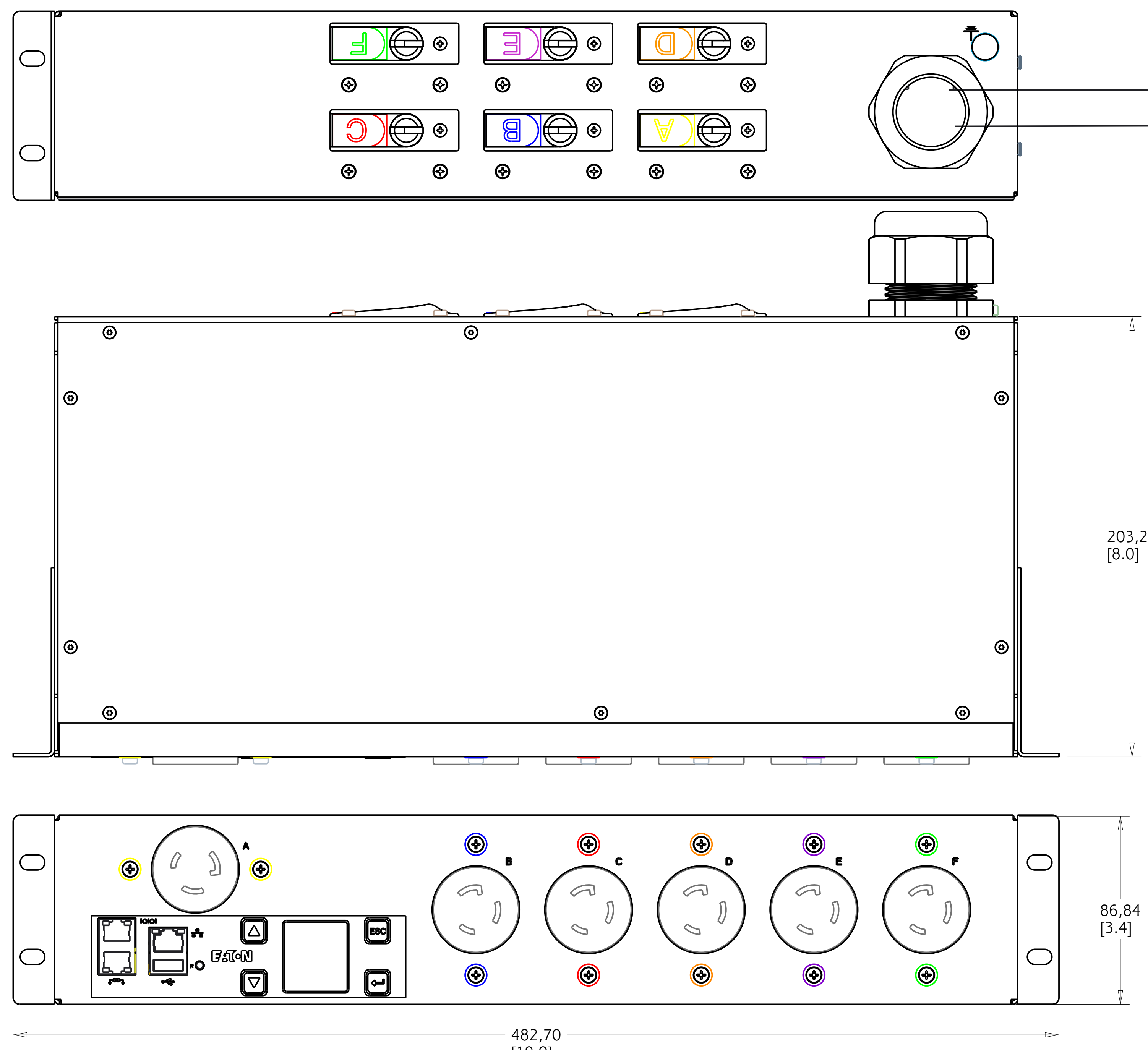


REV	ECO No.	REVISION	DR	CK	AP	DATE



EMU29-06 G3 METERED INPUT

FUNCTIONALITY	INPUT	OUTPUT	ENVIRONMENTAL
CURRENT, POWER AND ENERGY METERING FOR INPUT AND BRANCH	IEC 60309 460P9W PLUG 6FT 6AWG / 4C POWERCORD	(6) NEMA L6-30 RECEPTACLES	32° TO 140° F 0° TO 60° C
MECHANICAL	INPUT RATING	OUTPUT RATING	CERTIFICATIONS
19.00" (482.7mm) WIDTH 3.44" (87.34mm) HEIGHT 8.00" (203.2mm) DEPTH BLACK CHASSIS	200-240V ~ DELTA 3W + PE 48A 50/60HZ	200-240V 24A PER L6-30 24A MAX PER SECTION 48A MAX PER PHASE	
CIRCUIT BREAKERS	FILTER AND SPIKE/SURGE	ACCESSORIES	CONFIGURATION
(6) 30A 2-POLE UL LISTED	NONE	INCLUDED SPK021 - INSTALLATION INCLUDED SPK013 - NETWORK OPTIONAL EMPO01 - ENVIRONMENTAL PROBE	EMI3DLE3UKF23A1 SERIAL NUMBER B682 _____

METRIC		EATON CORPORATION, ELECTRICAL		SIZE D
DESCRIPTION: ePDU G3 SPECIFICATION FOR EMI3DLE3UKF23A1				
MODIFIED BY: J. OSBORNE	DATE: 1 MAY 2017	UNLESS OTHERWISE SPECIFIED TOLERANCES ARE: ANGLES: ±10° DECIMALS: 0.X: ±0.25 X, (FOR X < 3): ±1		SCALE: 1:000 DO NOT SCALE
ECO: NONE	STATE: RELEASE	HOLES: ±0.13 DIMENSIONS ARE IN MILLIMETERS (INCHES) AND AFTER PLATING		DRAWING OR CHANGE MANUALLY
PRO-ENGINEER GENERATED		PART NAME: EMI3DLE3UKF23A1	REVISION: 01	SHEET: 1 of 1
<small>EATON CORPORATION - CONFIDENTIAL AND PROPRIETARY NOTICE TO PERSONS RECEIVING THIS DOCUMENT AND/OR TECHNICAL INFORMATION THIS DOCUMENT, INCLUDING THE DRAWING AND INFORMATION CONTAINED THEREON, IS CONFIDENTIAL AND IS THE EXCLUSIVE PROPERTY OF EATON CORPORATION AND IS SUBJECT TO RECALL BY EATON AT ANY TIME. BY TAKING POSSESSION OF THIS DOCUMENT, THE RECIPIENT ACKNOWLEDGES AND AGREES THAT THIS DOCUMENT CANNOT BE USED IN ANY MANNER ADVERSE TO THE INTERESTS OF EATON, AND THAT NO PORTION OF THIS DOCUMENT MAY BE COPIED OR OTHERWISE REPRODUCED WITHOUT THE PRIOR WRITTEN CONSENT OF EATON. IN THE CASE OF CONFLICTING CONTRACTUAL PROVISIONS, THIS NOTICE SHALL GOVERN THE STATUS OF THIS DOCUMENT. © 2008 Eaton Corporation - All Rights Reserved.</small>				