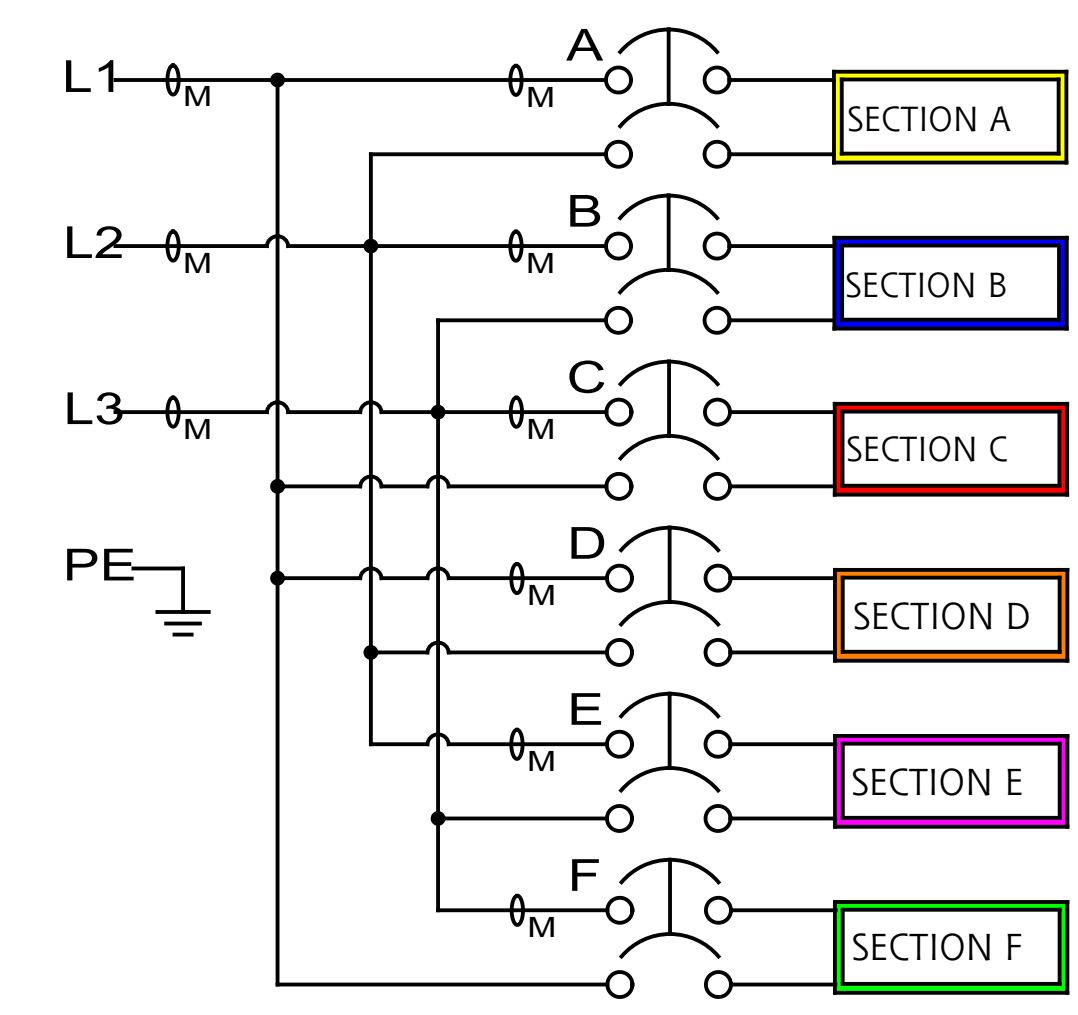
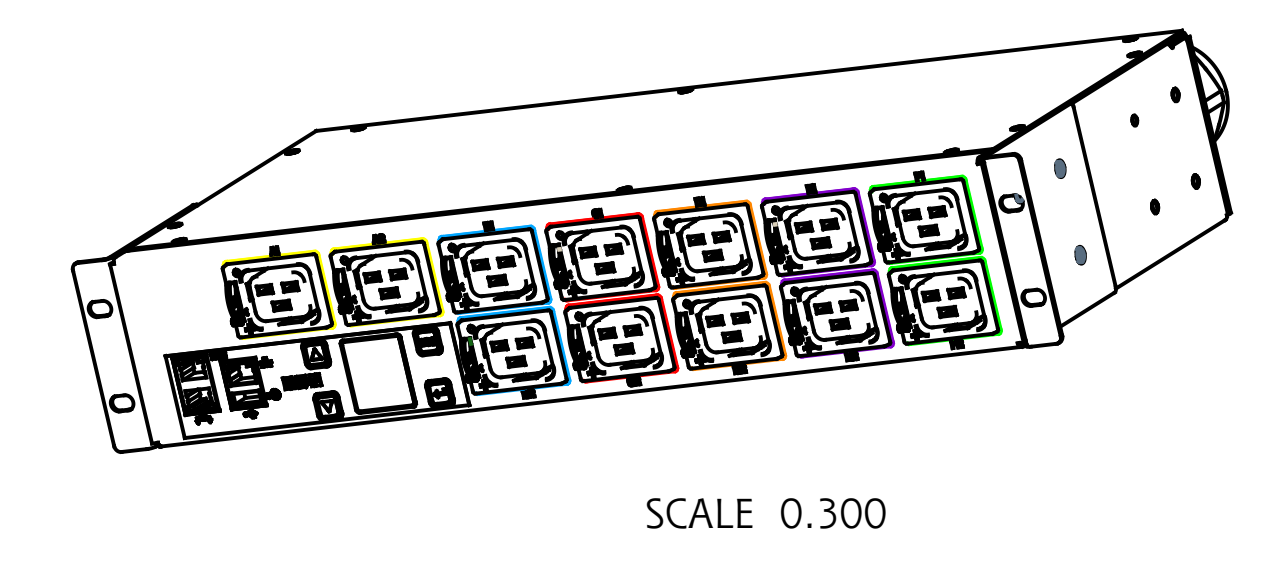
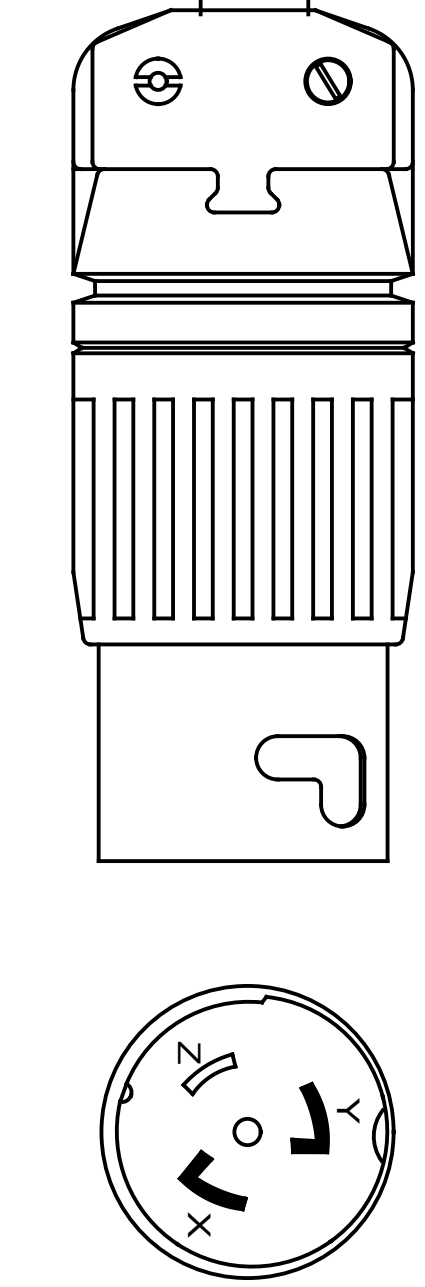
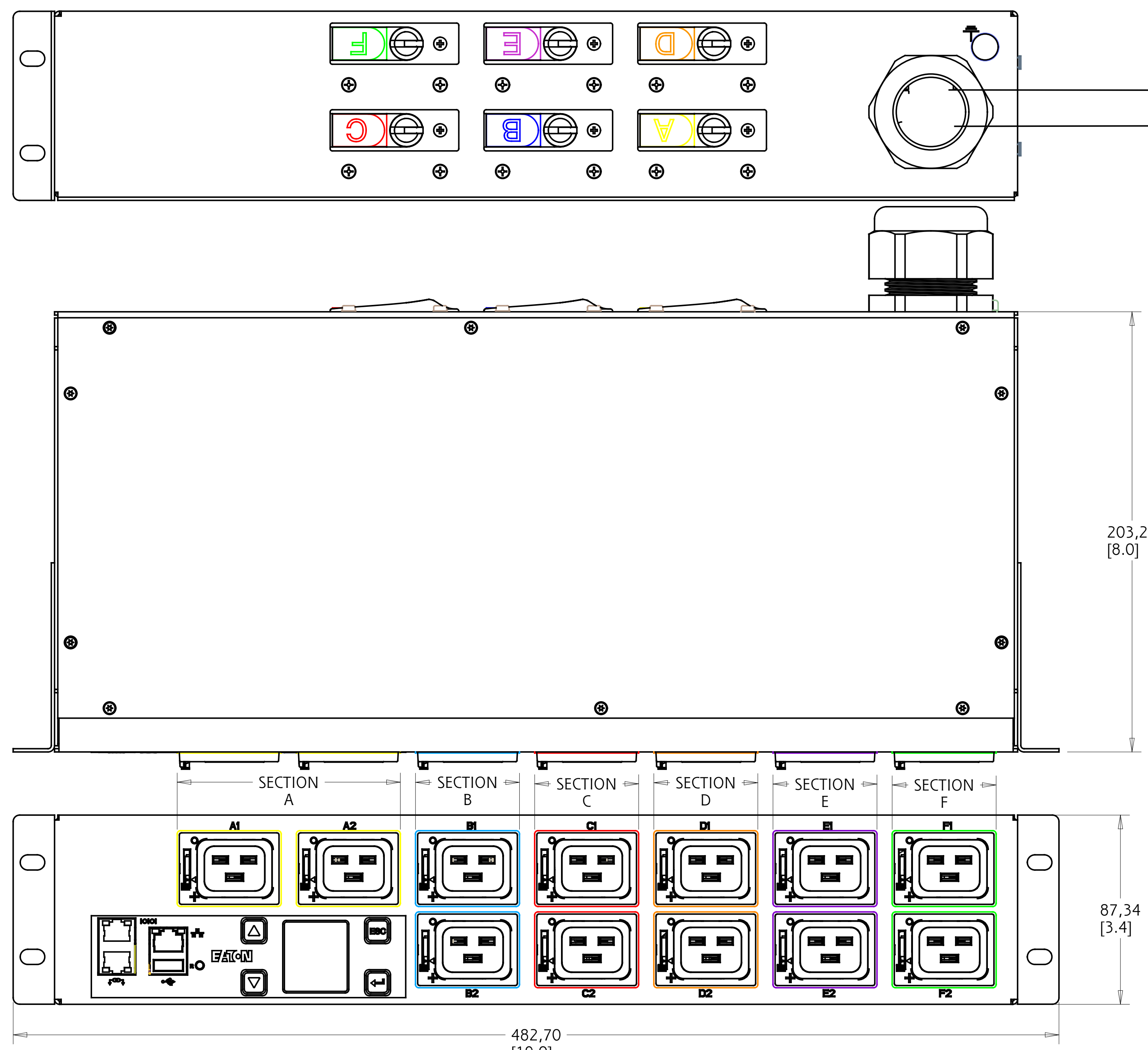


REV	ECO No.	REVISION	DR	CK	AP	DATE
001	101432	ENGINEERING RELEASE	RS			22 APR 16
002	104736	ADDED UL MARKING	RS			24 JUN 16



EMIU04-06 G3 METERED INPUT

FUNCTIONALITY	INPUT	OUTPUT	ENVIRONMENTAL
CURRENT, POWER AND ENERGY METERING FOR INPUT AND BRANCH	CS8365 PLUG 6FT 6AWG / 4C POWERCORD	(12) IEC 60320 C19 GRIP	32° TO 140° F 0° TO 60° C
MECHANICAL	INPUT RATING	OUTPUT RATING	CERTIFICATIONS
19.00" (482.7mm) WIDTH 3.44" (87.34mm) HEIGHT 8.00" (203.2mm) DEPTH BLACK CHASSIS	200-240V ~ DELTA 3W + PE 40A 50/60HZ	200-240V 16A PER C19 16A MAX PER SECTION 40A MAX PER PHASE	
CIRCUIT BREAKERS	FILTER AND SPIKE/SURGE	ACCESSORIES	CONFIGURATION
(6) 20A 2-POLE UL LISTED	NONE	INCLUDED SPK021 - INSTALLATION INCLUDED SPK013 - NETWORK OPTIONAL EMP001 - ENVIRONMENTAL PROBE	EMI3PHD3JJB23A1 SERIAL NUMBER B682 _____

METRIC		EATON CORPORATION, ELECTRICAL		SIZE D
DESCRIPTION: ePDU G3 SPECIFICATION FOR EMIU04-06				
MODIFIED BY: R. SIEGFRIED	DATE: 22 APR 16	UNLESS OTHERWISE SPECIFIED TOLERANCES ON DIMENSIONS ARE: ANGLES: ±10° HOLES: ±0.13		SCALE: 0.750 DO NOT SCALE DRAWING OR CHANGE MANUALLY
ECO: 101432	STATE: RELEASE	DIMENSIONS ARE IN MILLIMETERS (INCHES) AND AFTER PLATING		
PRO-ENGINEER GENERATED		PART NAME: EMI3PHD3JJB23A1	REVISION: 002	SHEET: 1 of 1

EATON CORPORATION - CONFIDENTIAL AND PROPRIETARY NOTICE TO PERSONS RECEIVING THIS DOCUMENT AND/OR TECHNICAL INFORMATION THIS DOCUMENT, INCLUDING THE DRAWING AND INFORMATION CONTAINED THEREON, IS CONFIDENTIAL AND IS THE EXCLUSIVE PROPERTY OF EATON CORPORATION AND IS LOANED TO YOU AND SUBJECT TO RECALL BY EATON AT ANY TIME. BY TAKING POSSESSION OF THIS DOCUMENT, THE RECIPIENT ACKNOWLEDGES AND AGREES THAT THIS DOCUMENT CANNOT BE USED IN ANY MANNER ADVERSE TO THE INTERESTS OF EATON, AND THAT NO PORTION OF THIS DOCUMENT MAY BE COPIED OR OTHERWISE REPRODUCED WITHOUT THE PRIOR WRITTEN CONSENT OF EATON. IN THE CASE OF CONFLICTING CONTRACTUAL PROVISIONS, THIS NOTICE SHALL GOVERN THE STATUS OF THIS DOCUMENT. © 2008 Eaton Corporation - All Rights Reserved.