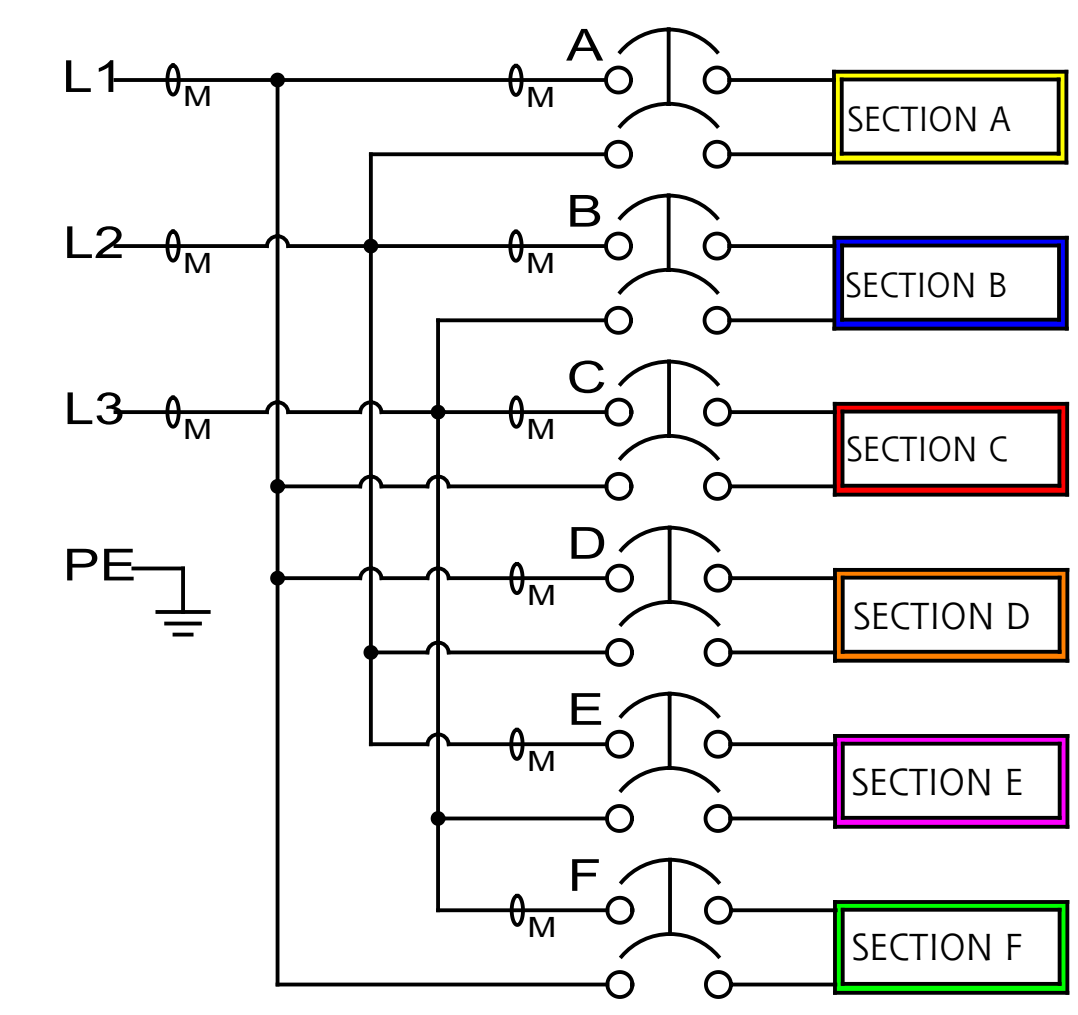
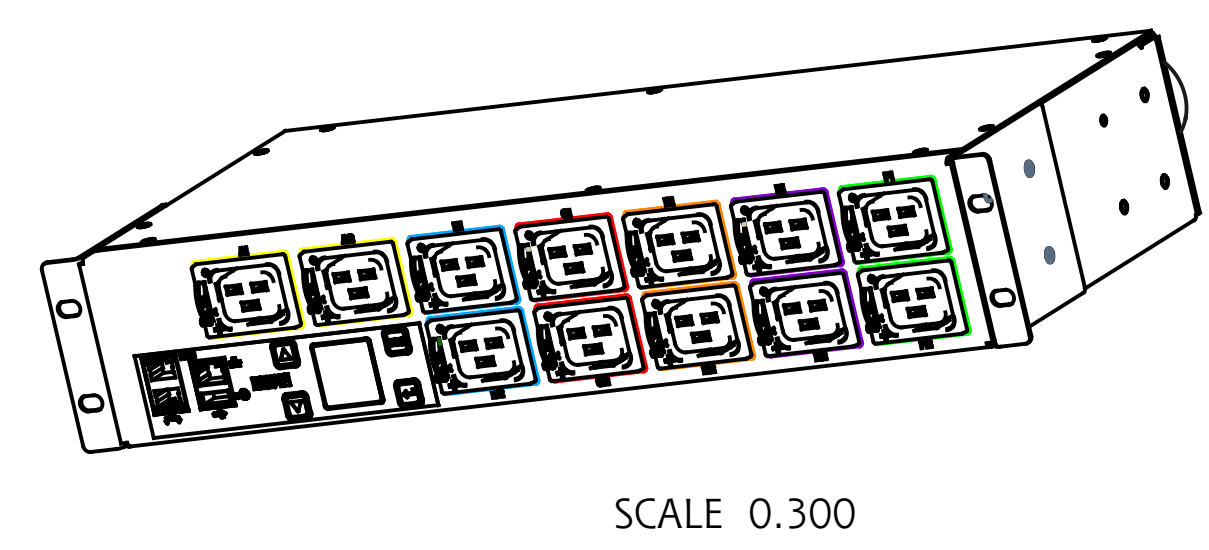
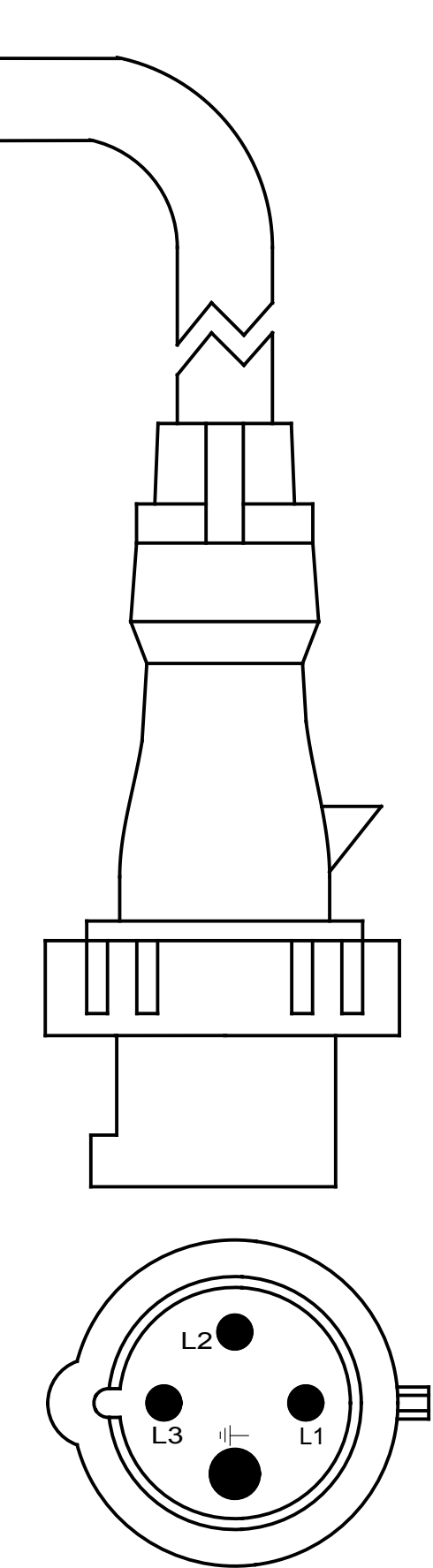
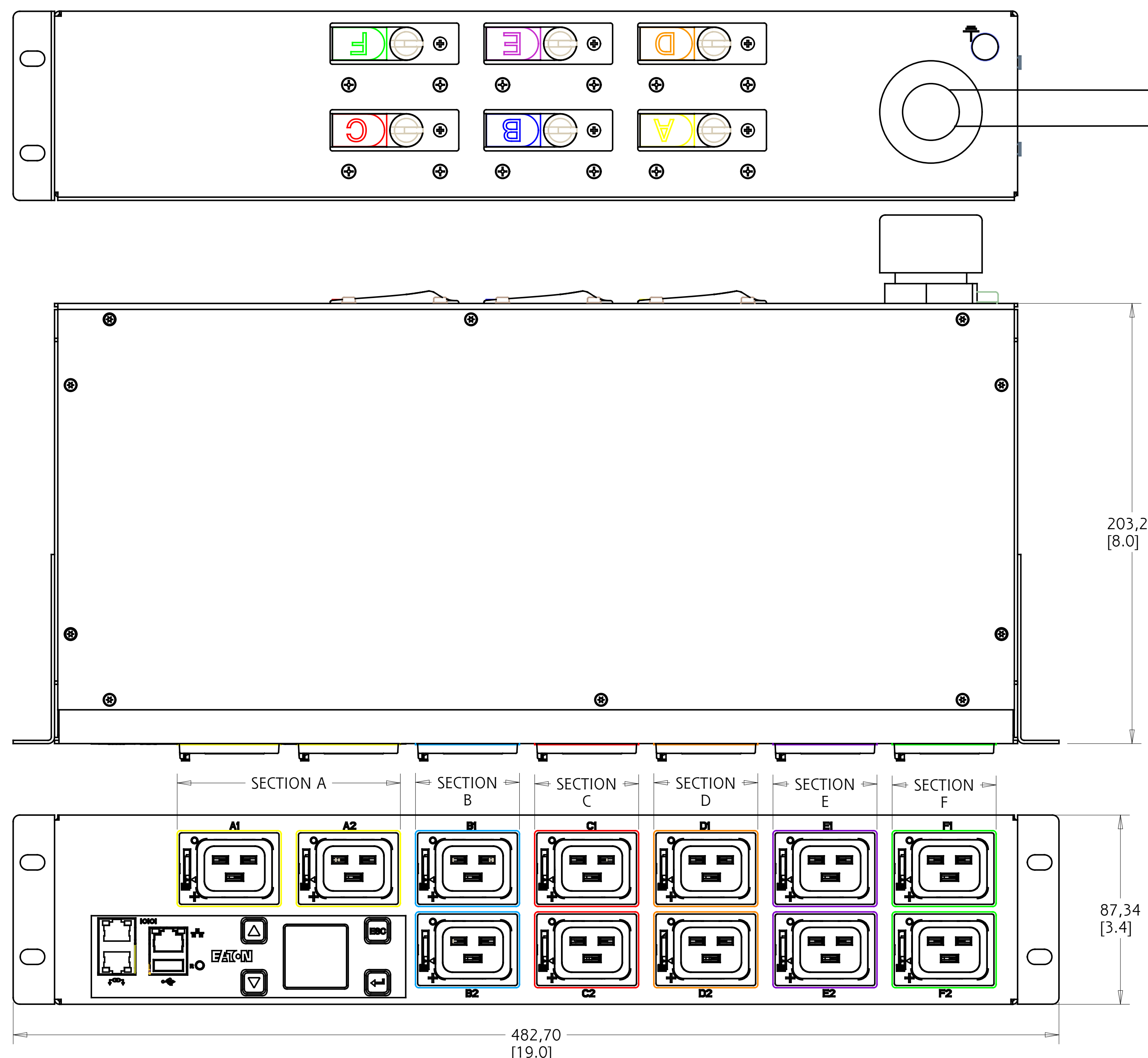


REV	ECO No.	REVISION	DR	CK	AP	DATE
001	100412	ENGINEERING RELEASE	RS			04 APR 16



EMIU03-06 G3 METERED INPUT

FUNCTIONALITY	INPUT	OUTPUT	ENVIRONMENTAL
CURRENT, POWER AND ENERGY METERING FOR INPUT AND BRANCH	IEC 60309 460P9W PLUG 6FT 6AWG / 4C POWERCORD	(12) IEC 60320 C19 GRIP	32° TO 140° F 0° TO 60° C
MECHANICAL	INPUT RATING	OUTPUT RATING	CERTIFICATIONS
19.00" (482.7mm) WIDTH 3.44" (87.34mm) HEIGHT 8.00" (203.2mm) DEPTH BLACK CHASSIS	200-240V ~ DELTA 3W + PE 48A 50/60HZ	200-240V 16A PER C19 16A MAX PER SECTION 48A MAX PER PHASE	UL LISTED
CIRCUIT BREAKERS	FILTER AND SPIKE/SURGE	ACCESSORIES	CONFIGURATION
(6) 20A 2-POLE UL LISTED	NONE	INCLUDED SPK021 - INSTALLATION INCLUDED SPK013 - NETWORK OPTIONAL EMP001 - ENVIRONMENTAL PROBE	EMI3DLE3JJB23A1 SERIAL NUMBER B682 _____

METRIC	THIRD ANGLE PROJECTION	EATON CORPORATION, ELECTRICAL	EATON	SIZE D
DESCRIPTION: ePDU G3 SPECIFICATION FOR EMIU03-06				
MODIFIED BY: R. SIEGFRIED	DATE: 4 APR 16	UNLESS OTHERWISE SPECIFIED TOLERANCES ON DIMENSIONS ARE: ANGLES: ±10° HOLES: ±0.13 DIMENSIONS ARE IN MILLIMETERS (INCHES) AND AFTER PLATING		SCALE: 0.750 DO NOT SCALE DRAWING OR CHANGE MANUALLY
ECO: 100412	STATE: RELEASE	PART NAME: EMI3DLE3JJB23A1	REVISION: 001	SHEET: 1 of 1
EATON CORPORATION - CONFIDENTIAL AND PROPRIETARY NOTICE TO PERSONS RECEIVING THIS DOCUMENT AND/OR TECHNICAL INFORMATION THIS DOCUMENT, INCLUDING THE DRAWING AND INFORMATION CONTAINED THEREON, IS CONFIDENTIAL AND IS THE EXCLUSIVE PROPERTY OF EATON CORPORATION AND IS SUBJECT TO EATON'S PATENT RIGHTS AND IS SUBJECT TO RECALL BY EATON AT ANY TIME. BY TAKING POSSESSION OF THIS DOCUMENT, THE RECIPIENT ACKNOWLEDGES AND AGREES THAT THIS DOCUMENT CANNOT BE USED IN ANY MANNER ADVERSE TO THE INTERESTS OF EATON, AND THAT NO PORTION OF THIS DOCUMENT MAY BE COPIED OR OTHERWISE REPRODUCED WITHOUT THE PRIOR WRITTEN CONSENT OF EATON. IN THE CASE OF CONFLICTING CONTRACTUAL PROVISIONS, THIS NOTICE SHALL GOVERN THE STATUS OF THIS DOCUMENT. © 2008 Eaton Corporation - All Rights Reserved.				