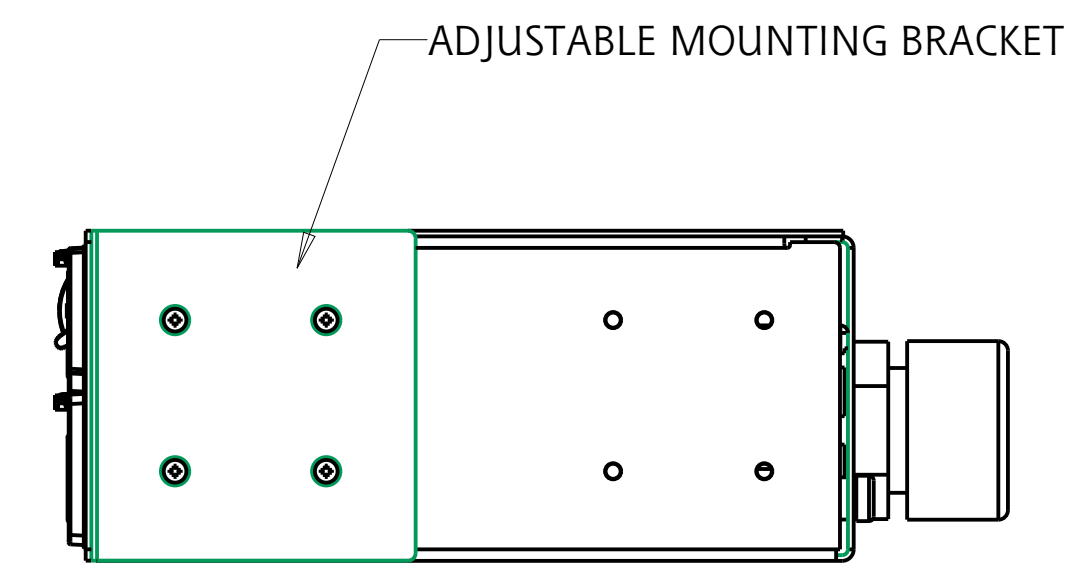
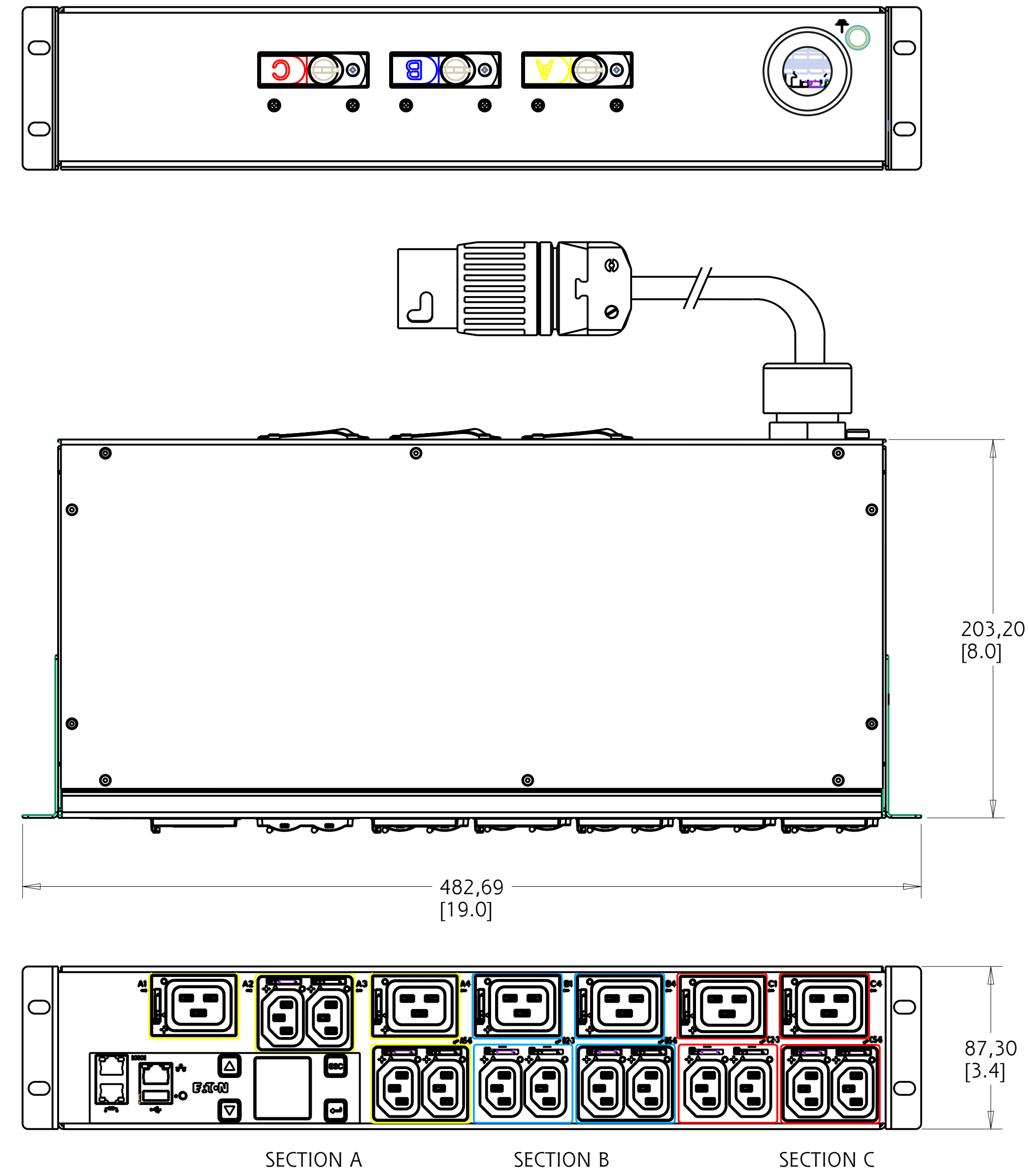
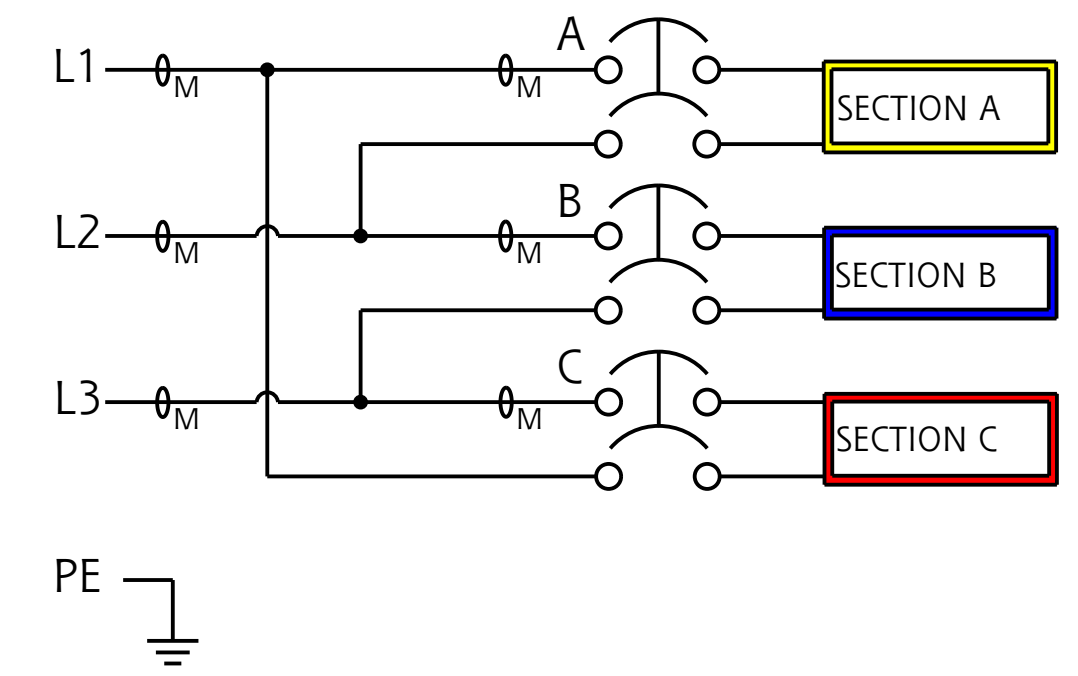


REV	ECO No.	REVISION	DR	CK	AP	DATE
001	101510	ENGINEERING RELEASE	JO			4 MAY 16
002	106681	MOD COND AWG & GRIP-NUT	LL			3 AUG 16



EMIU02-10 G3 METERED INPUT

FUNCTIONALITY	INPUT	OUTPUT	ENVIRONMENTAL
CURRENT, POWER AND ENERGY METERING FOR INPUT & BRANCH	CS8365 PLUG 10FT 8AWG / 4C POWERCORD	(12) IEC 60320 C13 GRIP (6) IEC 60320 C19 GRIP	32° TO 140° F 0° TO 60° C
MECHANICAL	INPUT RATING	OUTPUT RATING	CERTIFICATIONS
19.00" (482.6mm) WIDTH 3.44" (87.3mm) HEIGHT 8.00" (203.2mm) DEPTH BLACK CHASSIS	200-240V ~ DELTA 3W+PE 35A 50/60HZ	200-240V ~ 15A PER C13, 16A PER C19 16A MAX PER SECTION 24A MAX PER PHASE	
CIRCUIT BREAKERS	FILTER AND SPIKE/SURGE	ACCESSORIES	CONFIGURATION
(3) 20A 2 POLE LISTED	NONE	INCLUDED SPK021 - INSTALLATION INCLUDED SPK013 - NETWORK OPTIONAL EMPO01 - ENVIRONMENTAL PROBE	EMI3PE15JGB23A1 SERIAL NUMBER B682 _____



THIRD ANGLE PROJECTION		EATON CORPORATION, ELECTRICAL		EATON		SIZE D
DESCRIPTION: SPECIFICATION DRAWING EMI3PE15JGB23A1						
MODIFIED BY: J. OSBORNE	DATE: 3 MAY 2016	UNLESS OTHERWISE SPECIFIED TOLERANCES ON DIMENSIONS ARE:		SCALE: 0.500		
ECO: 101510	STATE: RELEASED	ANGLES: ± 5°		DO NOT SCALE		
PRO-ENGINEER GENERATED		PART NAME: EMI3PE15JGB23A1		REVISION: 002		SHEET: 1 of 1
<small>EATON CORPORATION - CONFIDENTIAL AND PROPRIETARY NOTICE TO PERSONS RECEIVING THIS DOCUMENT AND/OR TECHNICAL INFORMATION THIS DOCUMENT, INCLUDING THE DRAWING AND INFORMATION CONTAINED THEREON, IS CONFIDENTIAL AND IS THE EXCLUSIVE PROPERTY OF EATON CORPORATION, AND IS HEREBY LOANED AND SUBJECT TO RECALL BY EATON AT ANY TIME. BY TAKING POSSESSION OF THIS DOCUMENT, THE RECIPIENT ACKNOWLEDGES AND AGREES THAT THIS DOCUMENT CANNOT BE USED IN ANY MANNER ADVERSE TO THE INTERESTS OF EATON, AND THAT NO PORTION OF THIS DOCUMENT MAY BE COPIED OR OTHERWISE REPRODUCED WITHOUT THE PRIOR WRITTEN CONSENT OF EATON. IN THE CASE OF CONFLICTING CONTRACTUAL PROVISIONS, THIS NOTICE SHALL GOVERN THE STATUS OF THIS DOCUMENT. © 2008 Eaton Corporation - All Rights Reserved.</small>						