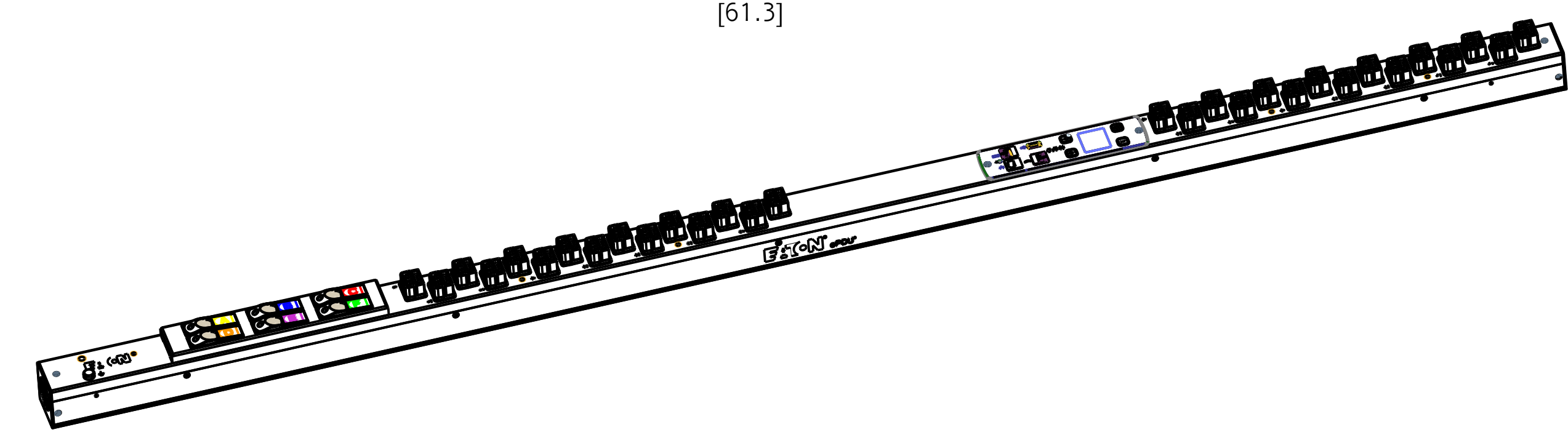
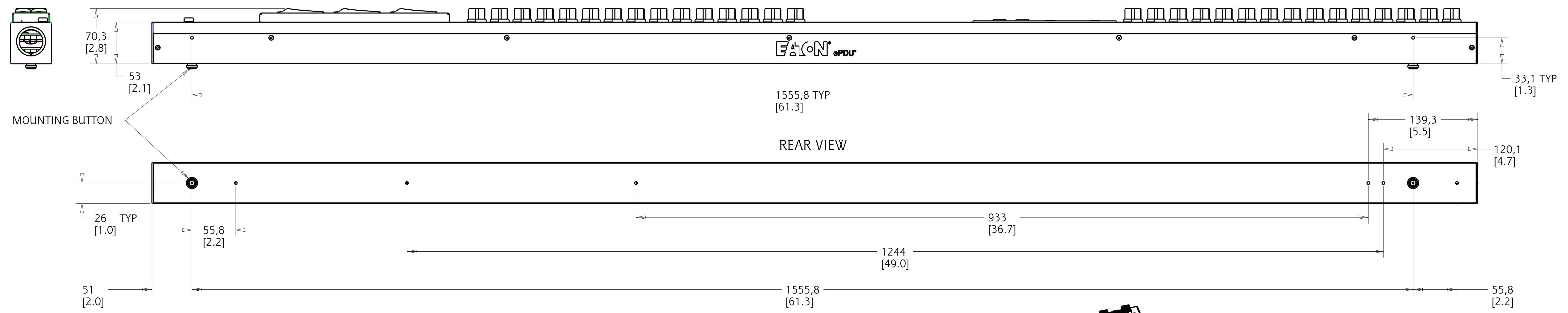
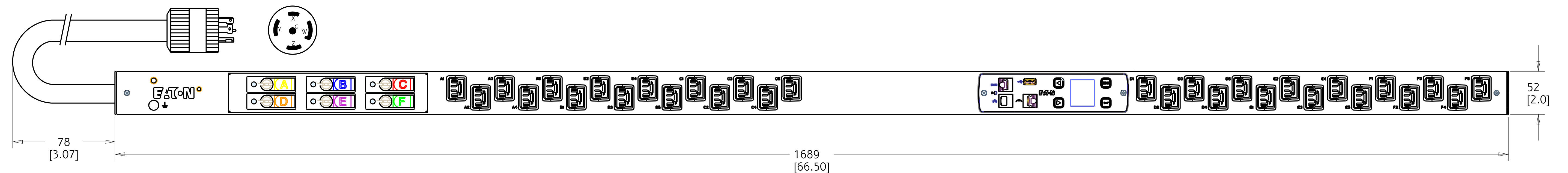
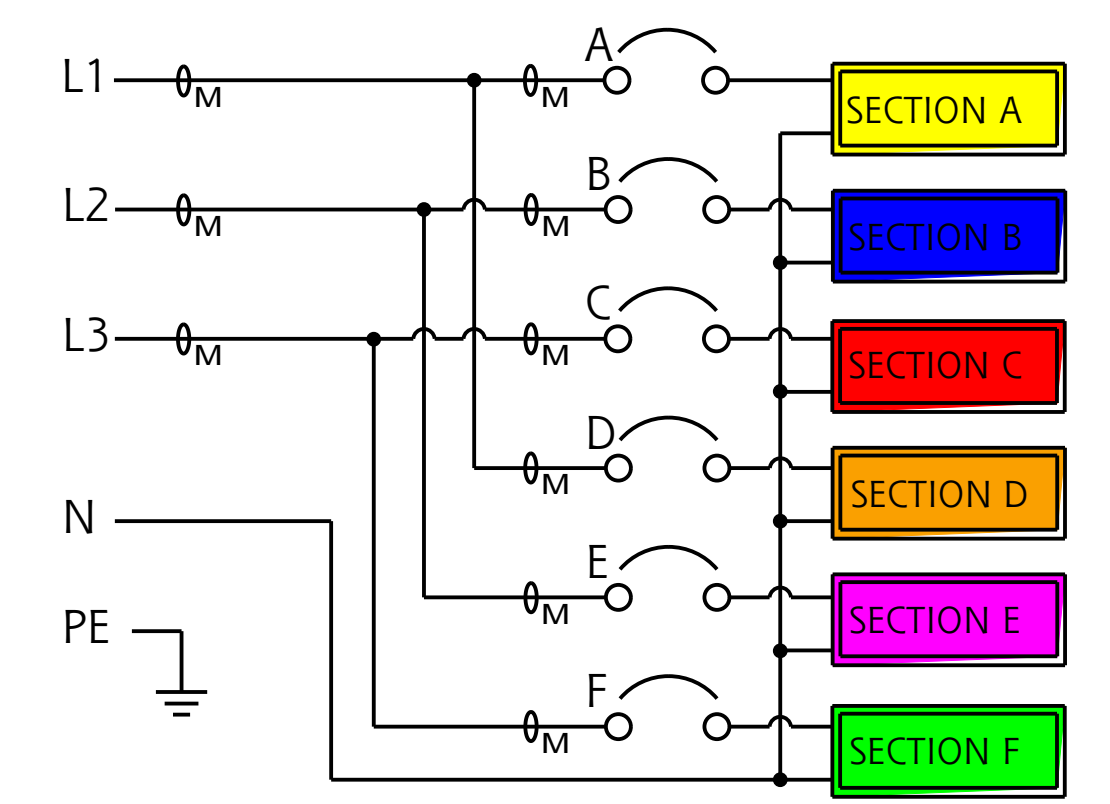


REV	ECO #	DESCRIPTION	DR	CK	AP	DATE
01	118982	ENGINEERING RELEASE	BK			05 APR 17
02	122459	ADDED MOUNTING BUTTON LOCATIONS	BK			16 JUNE 17
03	135121	ADDED UL AND CONFIGURATION NUMBER	BK			12 FEB 18



EMI384-10 G3 METERED INPUT

FUNCTIONALITY	INPUT	OUTPUT	ENVIRONMENTAL
CURRENT, POWER, AND ENERGY METERING FOR INPUT AND BRANCH	NEMA L22-30 PLUG 10FT 10AWG / 5C POWERCORD	(30) ANDERSON SAF-D-GRID 300VAC	32° TO 140° F 0° TO 60° C
MECHANICAL	INPUT RATING	OUTPUT RATING	CERTIFICATIONS
66.5" (1689mm) LENGTH 2.05" (52mm) WIDTH 2.09" (53mm) DEPTH ALUMINUM CHASSIS, BLACK	277/480V ~ WYE, 3W + N + PE 24A 50/60HZ	277V ~ 16A PER OUTLET 16A MAX PER SECTION 24A MAX PER PHASE	
CIRCUIT BREAKERS	FILTER AND SPIKE/SURGE	ACCESSORIES	CONFIGURATION
(6) 20A 1-POLE LISTED	NONE	INCLUDED SPK012 - INSTALLATION INCLUDED SPK013 - NETWORK	EMI3PJ35VZA78A1 SERIAL NUMBER B682 _____



METRIC		EATON CORPORATION, ELECTRICAL		SIZE D
DESCRIPTION: ePDU G3 SPECIFICATION FOR EMI384-10				
MODIFIED BY: B. KULINSKI	DATE: 05 APR 17	UNLESS OTHERWISE SPECIFIED TOLERANCES ON DIMENSIONS ARE: ANGLES: ±1/2° DECIMALS: 0.X: ±0.25 X, (FOR X < 3): ±1 HOLES: Ø±0.13 ØXX: ±0.25 X (FOR X > 3): ±2.5		SCALE: 0:400 DO NOT SCALE DRAWING OR CHANGE MANUALLY
ECO: 118982	STATE: RELEASE	DIMENSIONS ARE IN MILLIMETERS (INCHES) AND AFTER PLATING		
PRO-ENGINEER GENERATED		PART NAME: EMI3PJ35VZA78A1	REVISION: 03	SHEET: 1 of 1
<small>EATON CORPORATION - CONFIDENTIAL AND PROPRIETARY NOTICE TO PERSONS RECEIVING THIS DOCUMENT AND/OR TECHNICAL INFORMATION THIS DOCUMENT, INCLUDING THE DRAWING AND INFORMATION CONTAINED THEREON, IS CONFIDENTIAL AND IS THE EXCLUSIVE PROPERTY OF EATON CORPORATION AND IS SUBJECT TO RECALL BY EATON AT ANY TIME. BY TAKING POSSESSION OF THIS DOCUMENT, THE RECIPIENT ACKNOWLEDGES AND AGREES THAT THIS DOCUMENT CANNOT BE USED IN ANY MANNER ADVERSE TO THE INTERESTS OF EATON, AND THAT NO PORTION OF THIS DOCUMENT MAY BE COPIED OR OTHERWISE REPRODUCED WITHOUT THE PRIOR WRITTEN CONSENT OF EATON. IN THE CASE OF CONFLICTING CONTRACTUAL PROVISIONS, THIS NOTICE SHALL GOVERN THE STATUS OF THIS DOCUMENT. © 2008 Eaton Corporation - All Rights Reserved.</small>				