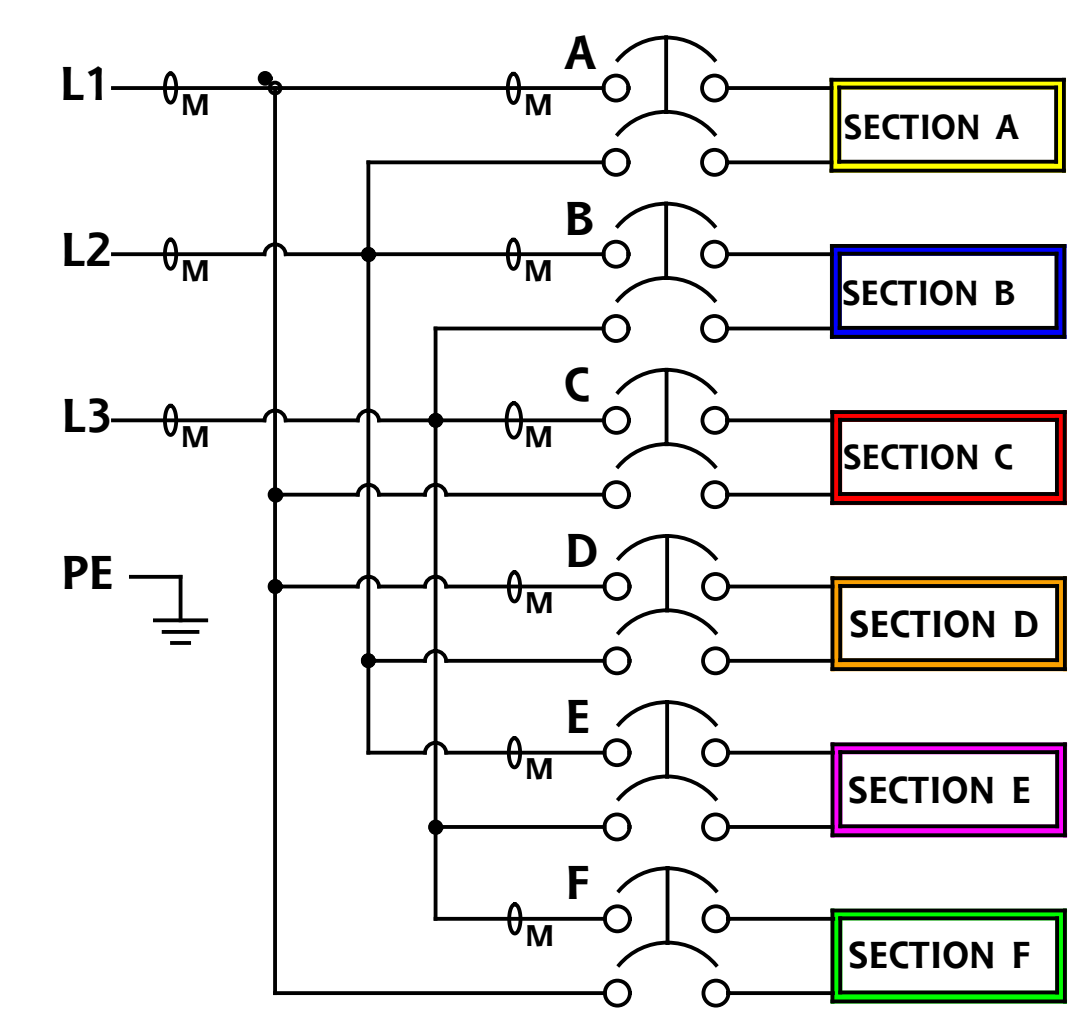
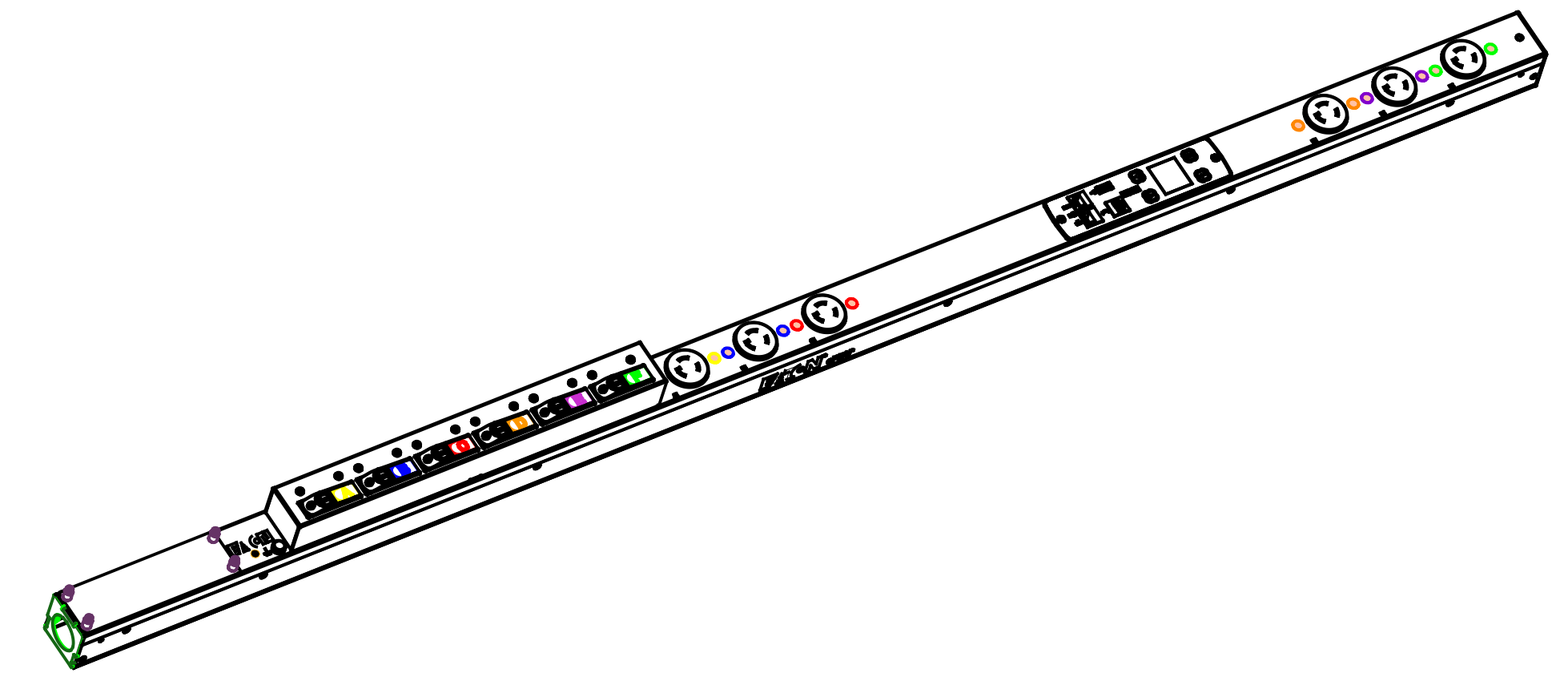
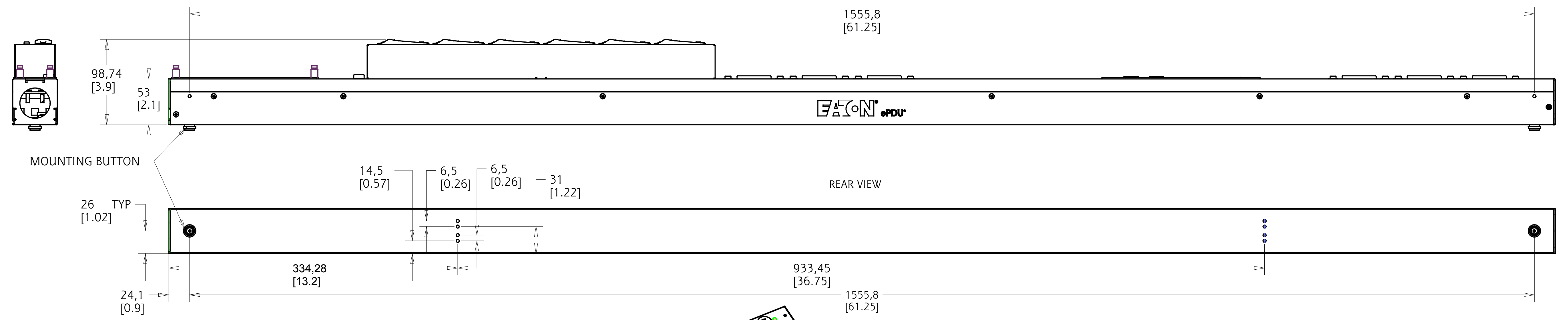
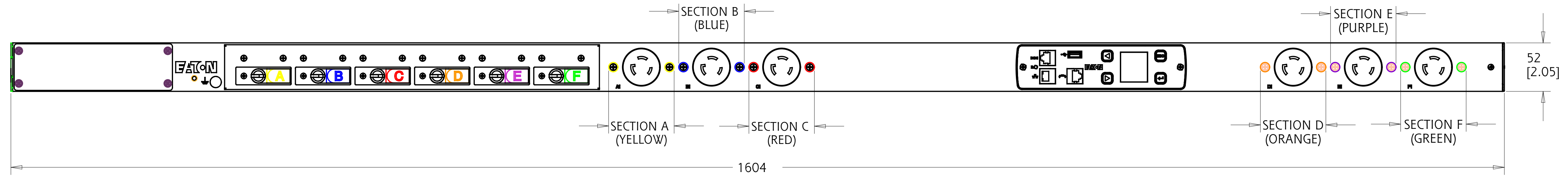


REV	ECO No.	REVISION	DR	CK	AP	DATE
01	113404	ENGINEERING RELEASE	RS			15 DEC 16



EMI382-HW G3 METERED INPUT

FUNCTIONALITY	INPUT	OUTPUT	ENVIRONMENTAL
CURRENT, POWER AND ENERGY METERING FOR INPUT & BRANCH	HARDWIRED CLEARANCE HOLE 1.375 FOR 1" CONDUIT	(6) NEMA L6-30R	32° TO 140° F 0° TO 60° C
MECHANICAL	INPUT RATING	OUTPUT RATING	CERTIFICATIONS
63.15" (1604mm) LENGTH 2.05" (52mm) WIDTH 2.09" (53mm) DEPTH ALUMINUM CHASSIS, BLACK	200-240V ~ DELTA 3W+PE 48A 50/60HZ	200-240V ~ 24A PER L6-30R; 24A MAX PER SECTION 48A MAX PER PHASE	
CIRCUIT BREAKERS	FILTER & SPIKE/SURGE	ACCESSORIES	CONFIGURATION
(6) 30A 2 POLE LISTED	NONE	INCLUDED SPK012 - INSTALLATION INCLUDED SPK023 - INSTALLATION INCLUDED SPK013 - NETWORK OPTIONAL EMPO01 - ENVIRONMENTAL PROBE	EMI3HBAAUKF77A1 SERIAL NUMBER B682 _____

METRIC	THIRD ANGLE PROJECTION	EATON CORPORATION, ELECTRICAL		SIZE D
DESCRIPTION: ePDU G3 SPECIFICATION FOR EMI382-HW				
MODIFIED BY: R. SIEGFRIED	DATE: 15 DEC 16	UNLESS OTHERWISE SPECIFIED TOLERANCES ON DIMENSIONS ARE: ANGLES: ±1/2° DECIMALS: 0.X: ±0.75 X, (FOR X < 3): ±1 HOLES: ±0.13 DIA: ±0.25 X (FOR X > 3): ±2.5 DIMENSIONS ARE IN MILLIMETERS (INCHES) AND AFTER PLATING		SCALE: 0:400 DO NOT SCALE DRAWING OR CHANGE MANUALLY
ECO: 113404	STATE: RELEASED	PRO-ENGINEER GENERATED	PART NAME: EMI3HBAAUKF77A1	REVISION: 01
				SHEET: 1 of 1

EATON CORPORATION - CONFIDENTIAL AND PROPRIETARY NOTICE TO PERSONS RECEIVING THIS DOCUMENT AND/OR TECHNICAL INFORMATION THIS DOCUMENT, INCLUDING THE DRAWING AND INFORMATION CONTAINED THEREON, IS CONFIDENTIAL AND IS THE EXCLUSIVE PROPERTY OF EATON CORPORATION AND IS SUBJECT TO RECALL BY EATON AT ANY TIME. BY TAKING POSSESSION OF THIS DOCUMENT, THE RECIPIENT ACKNOWLEDGES AND AGREES THAT THIS DOCUMENT CANNOT BE USED IN ANY MANNER ADVERSE TO THE INTERESTS OF EATON, AND THAT NO PORTION OF THIS DOCUMENT MAY BE COPIED OR OTHERWISE REPRODUCED WITHOUT THE PRIOR WRITTEN CONSENT OF EATON. IN THE CASE OF CONFLICTING CONTRACTUAL PROVISIONS, THIS NOTICE SHALL GOVERN THE STATUS OF THIS DOCUMENT. © 2008 Eaton Corporation - All Rights Reserved.