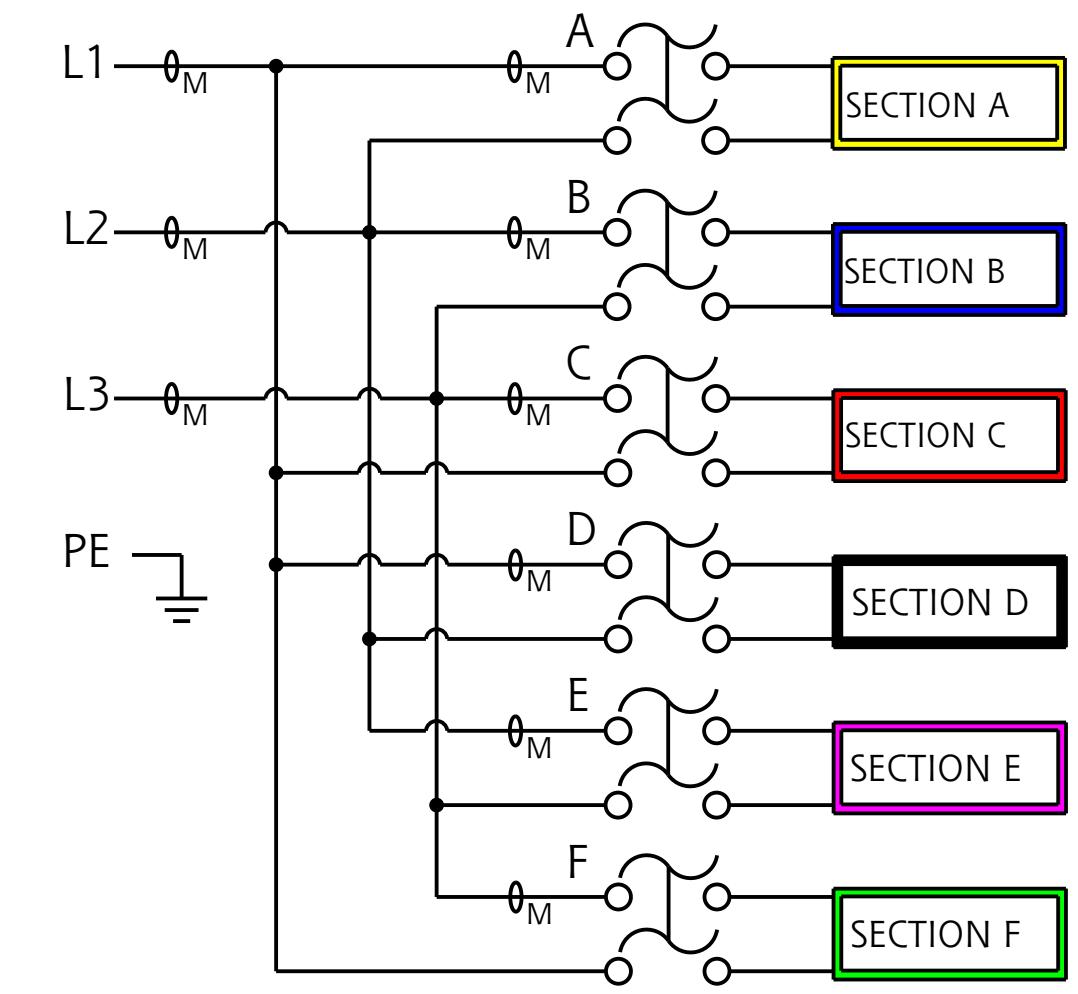
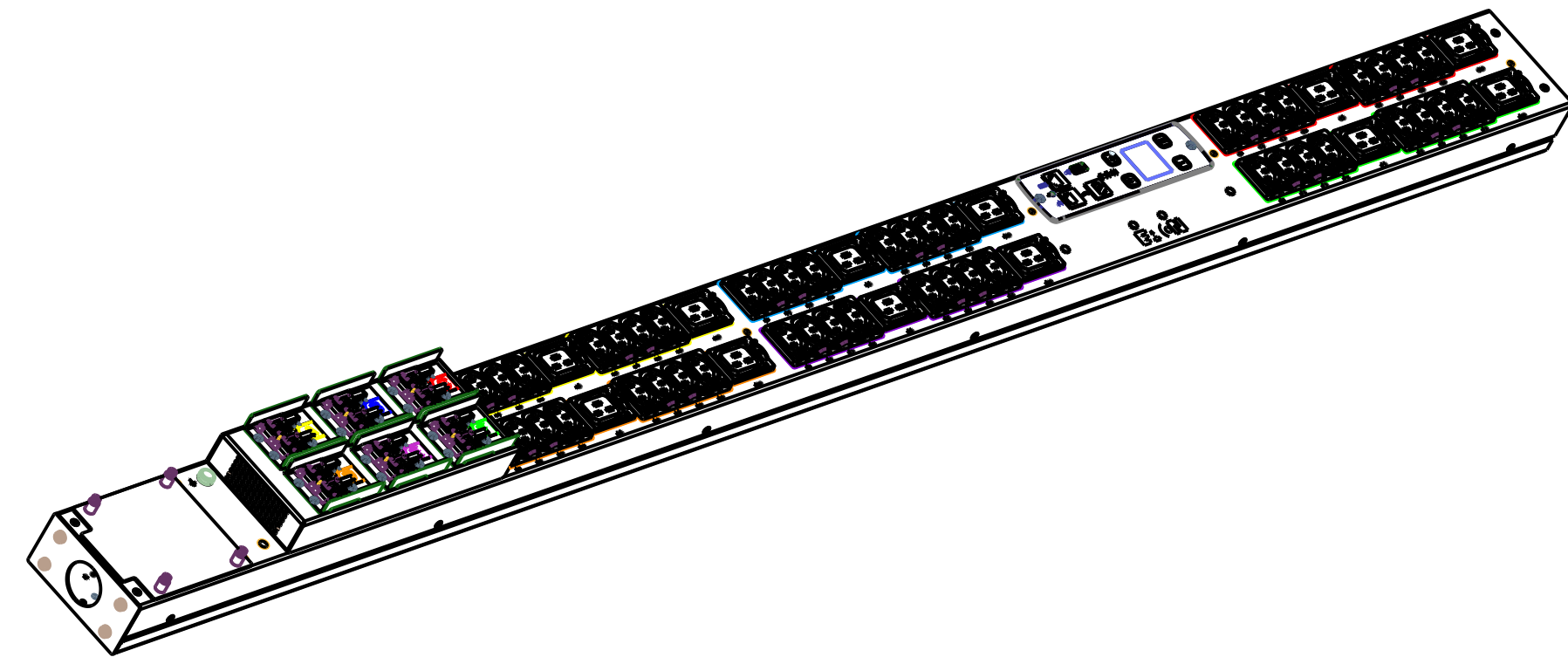
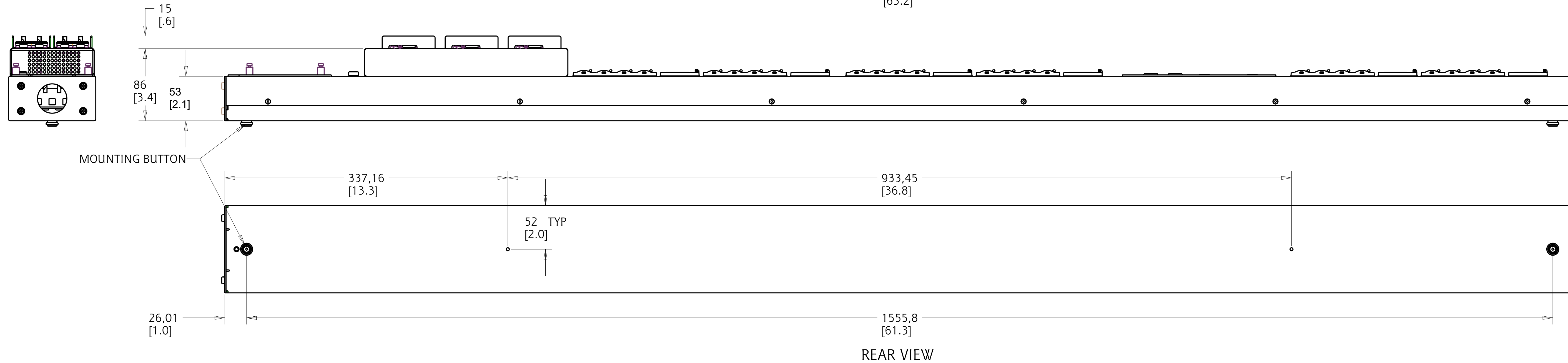
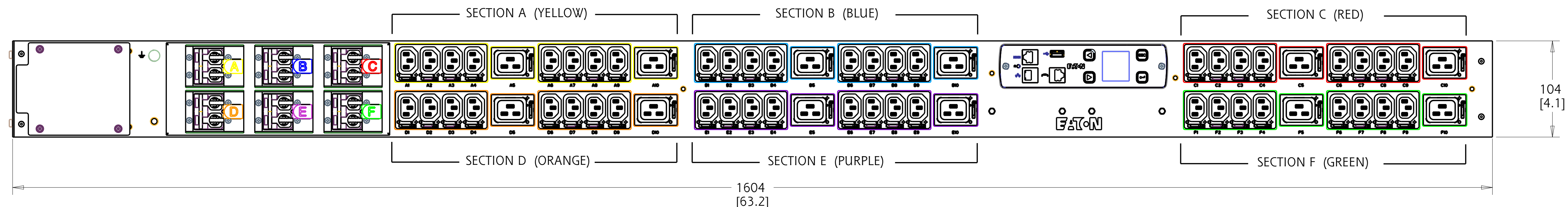


REV	ECO No.	REVISION	DR	CK	AP	DATE
001	079305	RELEASED	J.O.			18 MAR 15
002	092644	ADDED UL & CE MARKS	J.O.			16 NOV 15
003	097946	REMOVED CE MARK	RS			22 FEB 16
04	115573	ADDED SPK014 NOTE	RS			01 FEB 17



EMI358-HW G3 METERED INPUT

FUNCTIONALITY	INPUT	OUTPUT	ENVIRONMENTAL
CURRENT, POWER AND ENERGY METERING FOR INPUT AND BRANCH	HARDWIRED CLEARANCE HOLE 1.375" FOR 1" CONDUIT	(48) IEC 60320 C13 GRIP (12) IEC 60320 C19 GRIP	32° TO 140° F 0° TO 60° C
MECHANICAL	INPUT RATING	OUTPUT RATING	CERTIFICATIONS
63.20" (1604mm) LENGTH 4.10" (104mm) WIDTH 2.10" (53mm) DEPTH ALUMINUM CHASSIS, BLACK	200-240V ~ 3W + PE 48A 50/60HZ	200-240V ~ 15A PER C13, 16A PER C19 16A MAX PER SECTION 48A MAX PER PHASE	
BRANCH CIRCUIT PROTECTION	FILTER AND SPIKE/SURGE	ACCESSORIES	CONFIGURATION
(6) 20A FUSE CLASS G 600V ~ 100K AIC FINGER-SAFE WITH DISCONNECT-RATED SWITCH	NONE	INCLUDED SPK014 - INSTALLATION PACK INCLUDED SPK023 - INSTALLATION INCLUDED SPK013 - NETWORK OPTIONAL EMP001 - ENVIRONMENTAL PROBE	EMI3HBAANJX97A1 SERIAL NUMBER B682

METRIC		EATON CORPORATION, ELECTRICAL		EATON		SIZE D
DESCRIPTION: ePDU G3 SPECIFICATION FOR EMI358-HW						
MODIFIED BY: J. OSBORNE	DATE: 18 MAR 2015	UNLESS OTHERWISE SPECIFIED TOLERANCES ON DIMENSIONS ARE: ANGLES: ±1/2° DECIMALS: 0.X: ±0.75" X, (FOR X < 3): ±1 HOLES: ±0.13 DIMENSIONS ARE IN MILLIMETERS (INCHES) AND AFTER PLATING		SCALE: 0.400 DO NOT SCALE DRAWING OR CHANGE MANUALLY		
ECO: 079305	STATE: RELEASED	PART NAME: EMI3HBAANJX97A1		REVISION: 04	SHEET: 1 of 1	
EATON CORPORATION - CONFIDENTIAL AND PROPRIETARY NOTICE TO PERSONS RECEIVING THIS DOCUMENT AND/OR TECHNICAL INFORMATION THIS DOCUMENT, INCLUDING THE DRAWING AND INFORMATION CONTAINED THEREON, IS CONFIDENTIAL AND IS THE EXCLUSIVE PROPERTY OF EATON CORPORATION AND IS HEREBY ON LOAN AND SUBJECT TO RECALL BY EATON AT ANY TIME. BY TAKING POSSESSION OF THIS DOCUMENT, THE RECIPIENT ACKNOWLEDGES AND AGREES THAT THIS DOCUMENT CANNOT BE USED IN ANY MANNER ADVERSE TO THE INTERESTS OF EATON, AND THAT NO PORTION OF THIS DOCUMENT MAY BE COPIED OR OTHERWISE REPRODUCED WITHOUT THE PRIOR WRITTEN CONSENT OF EATON. IN THE CASE OF CONFLICTING CONTRACTUAL PROVISIONS, THIS NOTICE SHALL GOVERN THE STATUS OF THIS DOCUMENT. © 2008 Eaton Corporation - All Rights Reserved.						