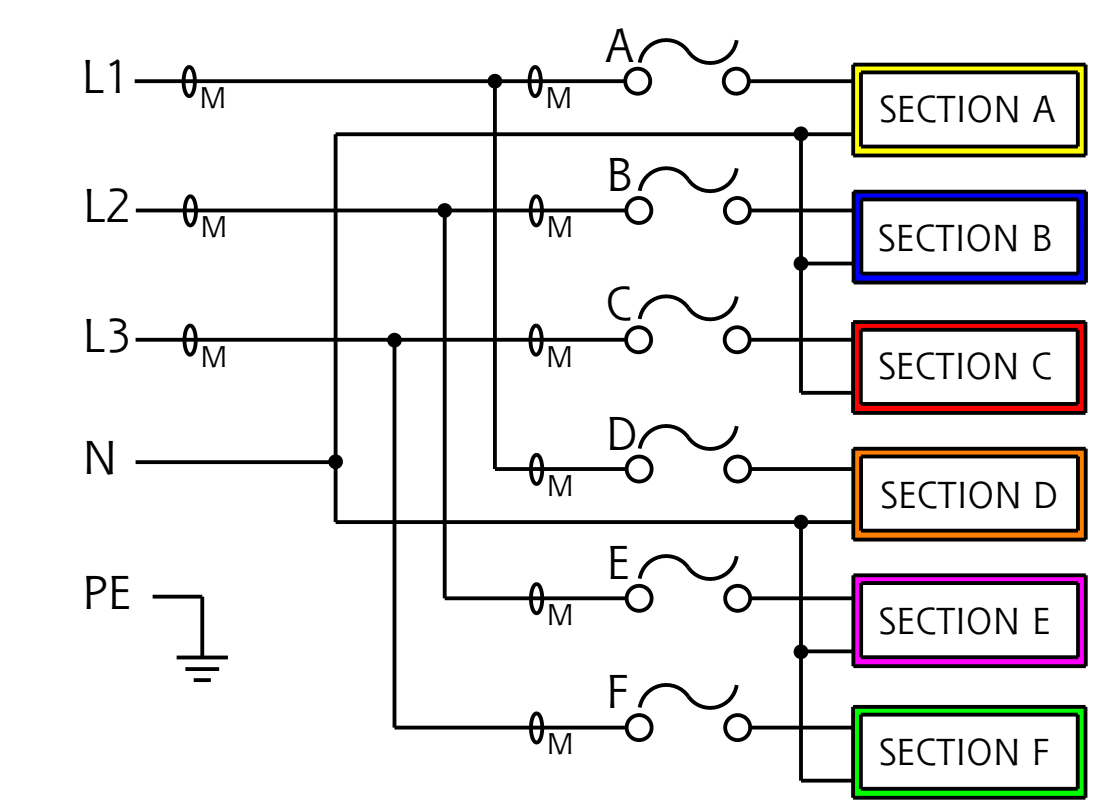
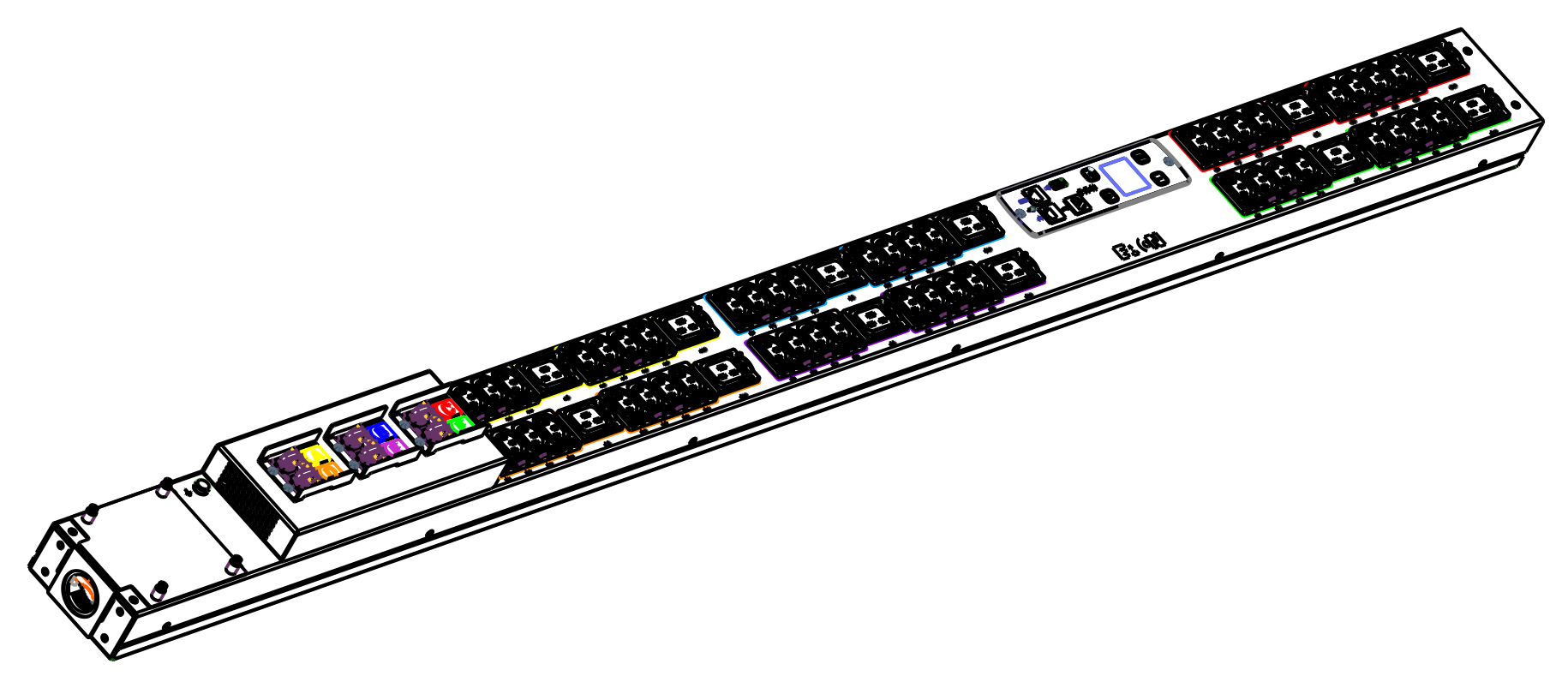
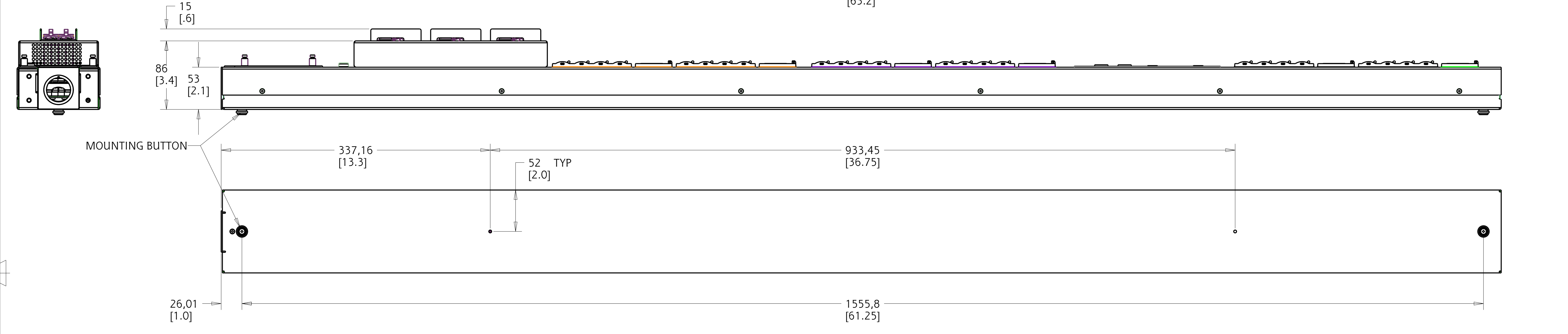
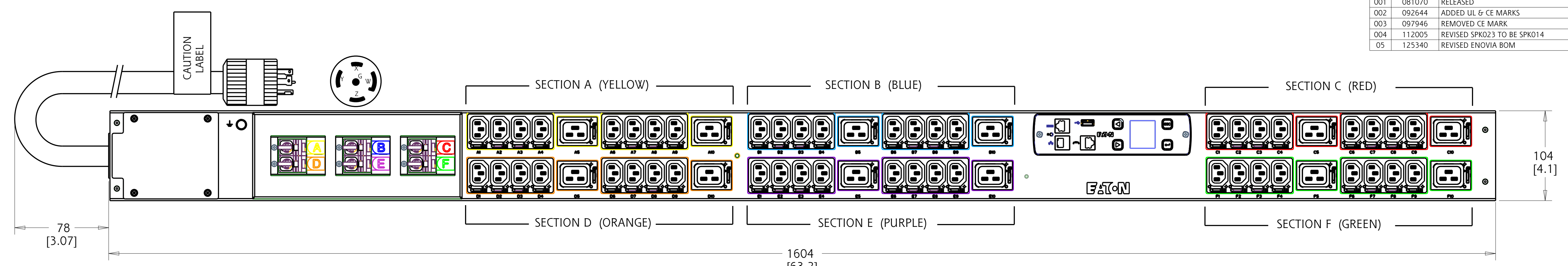


REV	ECO #	DESCRIPTION	DR	CK	AP	DATE
001	081070	RELEASED	JO			21 APR 15
002	092644	ADDED UL & CE MARKS	JO			16 NOV 15
003	097946	REMOVED CE MARK	RS			16 NOV 15
004	112005	REVISED SPK023 TO BE SPK014	RS			21 NOV 16
005	125340	REVISED ENOVIA BOM	BK			03 AUG 17



EMI357-10 G3 METERED INPUT

FUNCTIONALITY	INPUT	OUTPUT	ENVIRONMENTAL
CURRENT, POWER AND ENERGY METERING FOR INPUT AND BRANCH	NEMA L22-30 PLUG 10FT 10AWG / 5C POWERCORD	(48) IEC 60320 C13 GRIP (12) IEC 60320 C19 GRIP	32° TO 140° F 0° TO 60° C
MECHANICAL	INPUT RATING	OUTPUT RATING	CERTIFICATIONS
63.20" (1604mm) LENGTH 4.10" (104mm) WIDTH 2.10" (53mm) DEPTH ALUMINUM CHASSIS, BLACK	200-240 / 346-415V~ 3W + N + PE 24A 50/60HZ	200-240V~ 15A PER C13, 16A PER C19 24A 24A MAX PER PHASE	
BRANCH CIRCUIT PROTECTION	FILTER AND SPIKE/SURGE	ACCESSORIES	CONFIGURATION
(6) 20A FUSE CLASS G 600V~ 100K AIC FINGER-SAFE WITH DISCONNECT-RATED SWITCH	NONE	INCLUDED SPK014 - INSTALLATION INCLUDED SPK013 - NETWORK OPTIONAL EMP001 - ENVIRONMENTAL PROBE	EMI3PK35MJX97A1 SERIAL NUMBER B682

METRIC		EATON CORPORATION, ELECTRICAL		SIZE D
DESCRIPTION: ePDU G3 SPECIFICATION FOR EMI357-10				
MODIFIED BY: J. OSBORNE	DATE: 21 APR 2015	UNLESS OTHERWISE SPECIFIED TOLERANCES ON DIMENSIONS ARE: ANGLES: ±10° HOLES: Ø±0.13		SCALE: 0:400 DO NOT SCALE DRAWING OR CHANGE MANUALLY
ECO: 081070	STATE: RELEASED	DIMENSIONS ARE IN MILLIMETERS (INCHES) AND AFTER PLATING		
PRO-ENGINEER GENERATED		PART NAME: EMI3PK35MJX97A1	REVISION: 05	SHEET: 1 of 1
<small>EATON CORPORATION - CONFIDENTIAL AND PROPRIETARY NOTICE TO PERSONS RECEIVING THIS DOCUMENT AND/OR TECHNICAL INFORMATION THIS DOCUMENT, INCLUDING THE DRAWING AND INFORMATION CONTAINED THEREON, IS CONFIDENTIAL AND IS THE EXCLUSIVE PROPERTY OF EATON CORPORATION AND IS HEREBY ON LOAN AND SUBJECT TO RECALL BY EATON AT ANY TIME. BY TAKING POSSESSION OF THIS DOCUMENT, THE RECIPIENT ACKNOWLEDGES AND AGREES THAT THIS DOCUMENT CANNOT BE USED IN ANY MANNER ADVERSE TO THE INTERESTS OF EATON, AND THAT NO PORTION OF THIS DOCUMENT MAY BE COPIED OR OTHERWISE REPRODUCED WITHOUT THE PRIOR WRITTEN CONSENT OF EATON. IN THE CASE OF CONFLICTING CONTRACTUAL PROVISIONS, THIS NOTICE SHALL GOVERN THE STATUS OF THIS DOCUMENT. © 2008 Eaton Corporation - All Rights Reserved.</small>				