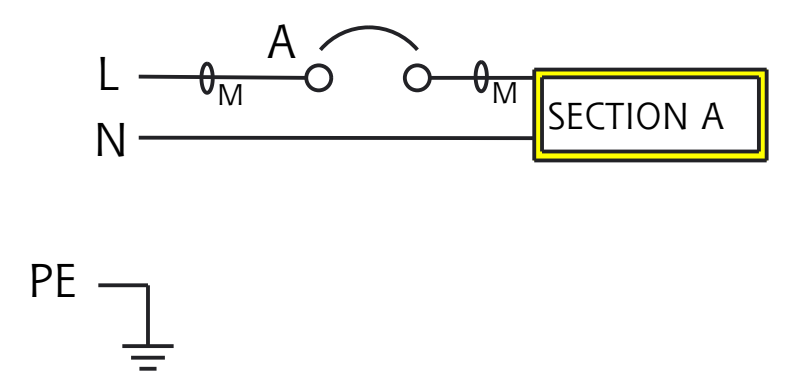
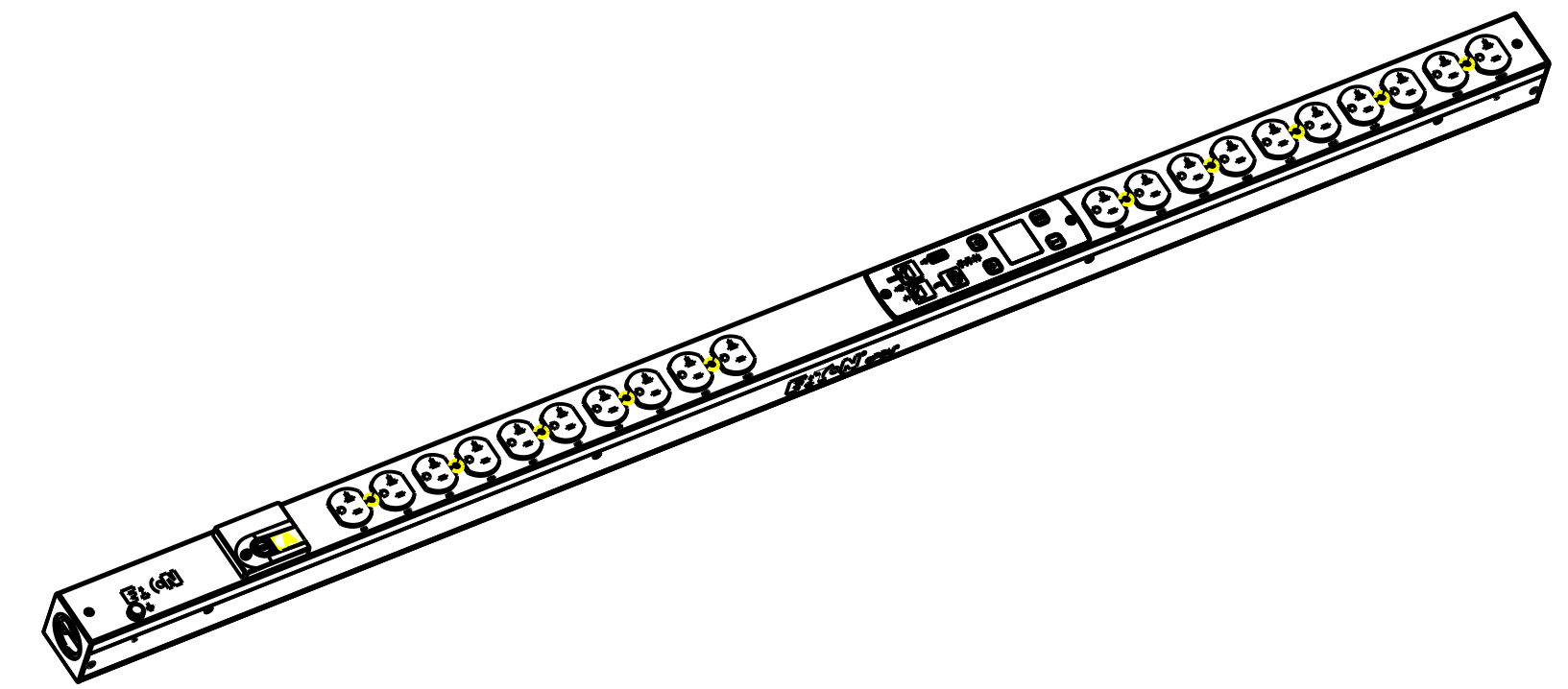
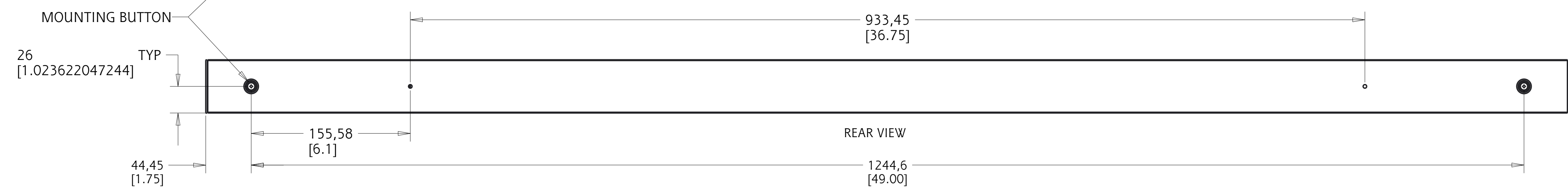
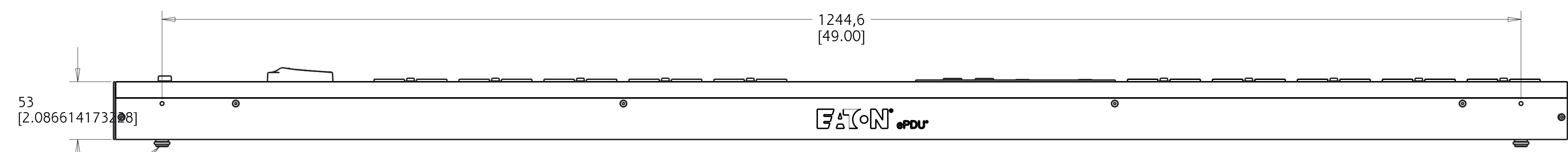
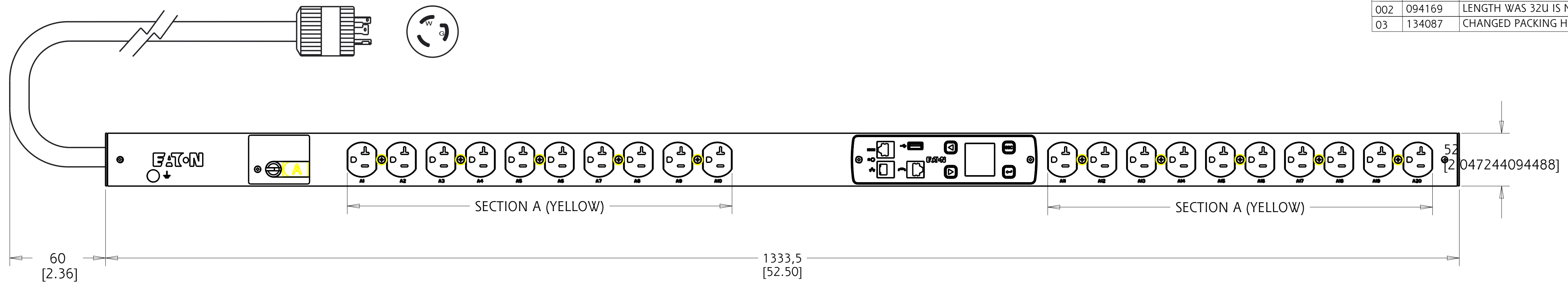


REV	ECO No.	REVISION	DR	CK	AP	DATE
001	088825	ENGINEERING RELEASE	LS			04 SEP 15
002	094169	LENGTH WAS 32U IS NOW 30U	J.O.			9 DEC 15
003	134087	CHANGED PACKING HRDW	J.O.			26 JAN 18



EMI128-10 G3 METERED INPUT

FUNCTIONALITY	INPUT	OUTPUT	ENVIRONMENTAL
CURRENT, POWER AND ENERGY METERING FOR INPUT	NEMA L5-20 PLUG 10 FT 12AWG / 3C POWERCORD	(20) NEMA 5-20R	32° TO 140° F 0° TO 60° C
MECHANICAL	INPUT RATING	OUTPUT RATING	CERTIFICATIONS
52.50" (1333.5mm) LENGTH 2.05" (52mm) WIDTH 2.09" (53mm) DEPTH ALUMINIUM CHASSIS, BLACK	100-127V ~ W + N + PE 16A 50/60HZ	100-127V ~ 16A MAX PER OUTLET 16A MAX PER SECTION 16A MAX TOTAL	
CIRCUIT BREAKERS	FILTER & SPIKE/SURGE	ACCESSORIES	CONFIGURATION
(1) 20A 1 POLE LISTED	NONE	INCLUDED SPK012 - INSTALLATION INCLUDED SPK013 - NETWORK OPTIONAL EMP001 - ENVIRONMENTAL PROBE	EMI3MD15ELK7CA1 SERIAL NUMBER B682 _____

METRIC		EATON CORPORATION, ELECTRICAL		SIZE D
DESCRIPTION: ePDU G3 SPECIFICATION FOR EMI128-10				
MODIFIED BY: L.SANDOVAL	DATE: 04 SEP 15	UNLESS OTHERWISE SPECIFIED TOLERANCES ON DIMENSIONS ARE: ANGLES: ±1/2° DECIMALS: 0.X: ±0.25 X (FOR X < 3): ±1 HOLES: ±0.13 0.XX: ±0.25 X (FOR X > 3): ±2.5		SCALE: 0.400 DO NOT SCALE DRAWING OR CHANGE MANUALLY
ECO: 088825	STATE: RELEASED	DIMENSIONS ARE IN MILLIMETERS (INCHES) AND AFTER PLATING		
PRO-ENGINEER GENERATED	PART NAME: EMI3MD15ELK7CA1	REVISION: 03	SHEET 1 OF 1	
EATON CORPORATION - CONFIDENTIAL AND PROPRIETARY NOTICE TO PERSONS RECEIVING THIS DOCUMENT AND/OR TECHNICAL INFORMATION THIS DOCUMENT, INCLUDING THE DRAWING AND INFORMATION CONTAINED THEREON, IS CONFIDENTIAL AND IS THE EXCLUSIVE PROPERTY OF EATON CORPORATION AND IS HEREBY ON LOAN AND SUBJECT TO RECALL BY EATON AT ANY TIME. BY TAKING POSSESSION OF THIS DOCUMENT, THE RECIPIENT ACKNOWLEDGES AND AGREES THAT THIS DOCUMENT CANNOT BE USED IN ANY MANNER ADVERSE TO THE INTERESTS OF EATON, AND THAT NO PORTION OF THIS DOCUMENT MAY BE COPIED OR OTHERWISE REPRODUCED WITHOUT THE PRIOR WRITTEN CONSENT OF EATON. IN THE CASE OF CONFLICTING CONTRACTUAL PROVISIONS, THIS NOTICE SHALL GOVERN THE STATUS OF THIS DOCUMENT. © 2008 Eaton Corporation - All Rights Reserved.				