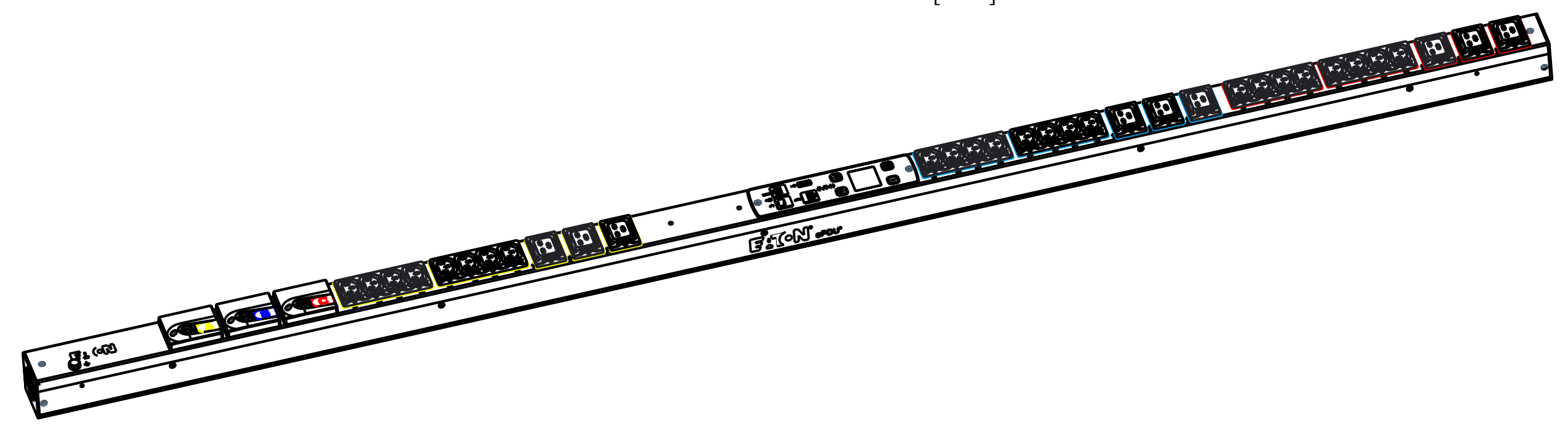
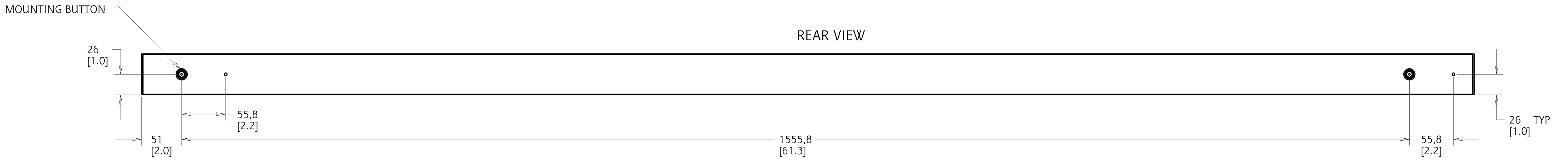
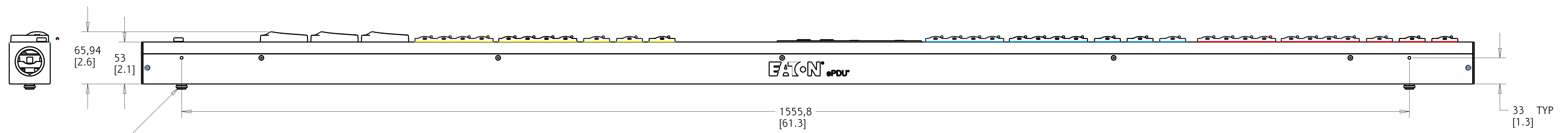
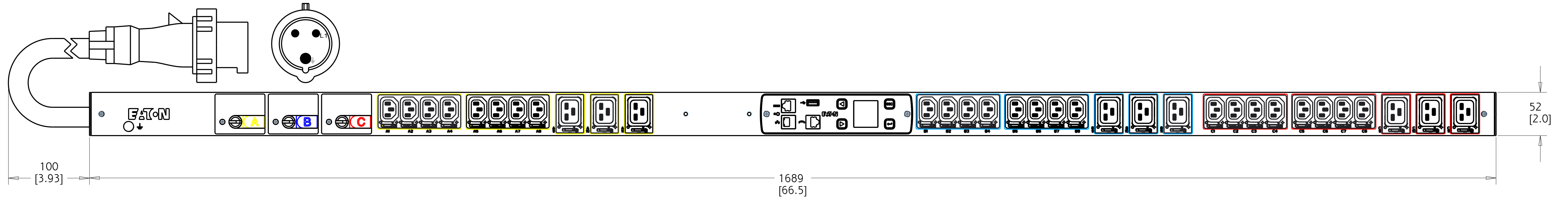
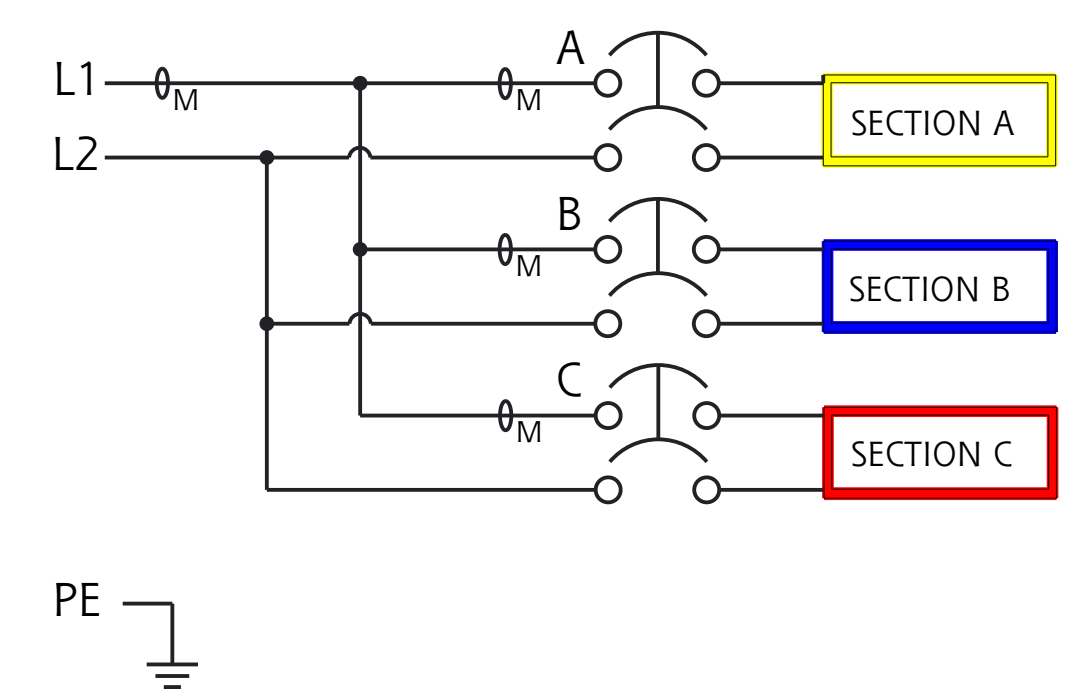


| REV | ECO No. | REVISION | DR | CK | AP | DATE |
|-----|---------|----------|----|----|----|------|
|     |         |          |    |    |    |      |



## EMI143-10 G3 METERED INPUT

|   |   |  |   |
|---|---|--|---|
| <b>FUNCTIONALITY</b>  | <b>INPUT</b>                                      | <b>OUTPUT</b>  | <b>ENVIRONMENTAL</b>                        |
| CURRENT, POWER, AND ENERGY METERING FOR INPUT AND BRANCH                                      | IEC 60309 360P6W PLUG<br>10FT 6AWG / 3C POWERCORD | (24) IEC 60320 C13 GRIP<br>(9) IEC 60320 C19 GRIP  | 32° TO 140° F<br>0° TO 60° C                |
| <b>MECHANICAL</b>   | <b>INPUT RATING</b>                               | <b>OUTPUT RATING</b>   | <b>CERTIFICATIONS</b>                       |
| 66.50" (1689mm) LENGTH<br>2.05" (52mm) WIDTH<br>2.09" (53mm) DEPTH<br>ALUMINUM CHASSIS, BLACK | 200-240 V<br>2W + PE<br>48A<br>50/60HZ            | 200-240V<br>15A PER C13, 16A PER C19<br>16A MAX PER SECTION<br>48A MAX TOTAL                         |   |
| <b>CIRCUIT BREAKERS</b>   | <b>FILTER AND SPIKE/SURGE</b>                     | <b>ACCESSORIES</b>   | <b>CONFIGURATION</b>                        |
| (3) 20A 2-POLE LISTED   | NONE  | INCLUDED SPK012 - INSTALLATION<br>INCLUDED SPK013 - NETWORK<br>OPTIONAL EMP001 - ENVIRONMENTAL PROBE | EMI3CL35JGW78A1<br>SERIAL NUMBER B682 _____ |



|   |                        |   |              |                            |
|---|------------------------|---|--------------|----------------------------|
| METRIC  | THIRD ANGLE PROJECTION | EATON CORPORATION, ELECTRICAL   |              | SIZE D                     |
| DESCRIPTION: ePDU G3 SPECIFICATION FOR EMI143-10  |                        |   |              |                            |
| MODIFIED BY: J. OSBORNE   | DATE: 27 MAR 2017      | UNLESS OTHERWISE SPECIFIED TOLERANCES ON DIMENSIONS ARE:<br>ANGLES: ±10°    DECIMALS: 0.X: ±0.75    X (FOR X < 3): ±1 |              | SCALE: 0:400               |
| ECO: 118621   | STATE: RELEASED        | HOLES: Ø±0.13    ØAX: ±0.25    X (FOR X > 3): ±2.5  |              | DO NOT SCALE               |
| PRO-ENGINEER GENERATED  |                        | PART NAME: EMI3CL35JGW78A1  | REVISION: 01 | DRAWING OR CHANGE MANUALLY |
|   |                        |   |              | SHEET: 1 of 1              |
| <small>EATON CORPORATION - CONFIDENTIAL AND PROPRIETARY NOTICE TO PERSONS RECEIVING THIS DOCUMENT AND/OR TECHNICAL INFORMATION THIS DOCUMENT, INCLUDING THE DRAWING AND INFORMATION CONTAINED THEREON, IS CONFIDENTIAL AND IS THE EXCLUSIVE PROPERTY OF EATON CORPORATION AND IS SUBJECT TO RECALL BY EATON AT ANY TIME. BY TAKING POSSESSION OF THIS DOCUMENT, THE RECIPIENT ACKNOWLEDGES AND AGREES THAT THIS DOCUMENT CANNOT BE USED IN ANY MANNER ADVERSE TO THE INTERESTS OF EATON, AND THAT NO PORTION OF THIS DOCUMENT MAY BE COPIED OR OTHERWISE REPRODUCED WITHOUT THE PRIOR WRITTEN CONSENT OF EATON. IN THE CASE OF CONFLICTING CONTRACTUAL PROVISIONS, THIS NOTICE SHALL GOVERN THE STATUS OF THIS DOCUMENT. © 2008 Eaton Corporation. All Rights Reserved.</small> |                        |   |              |                            |