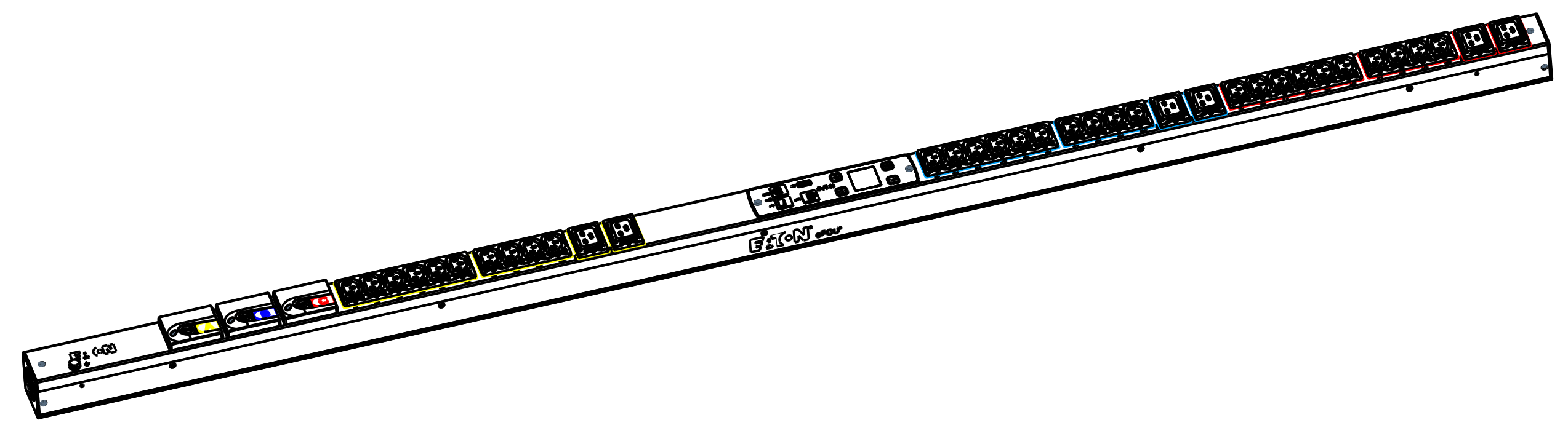
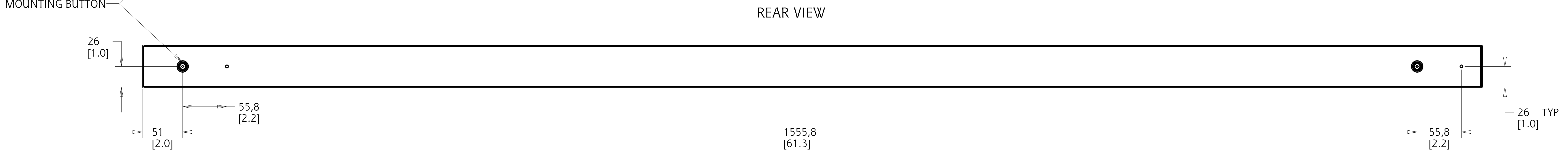
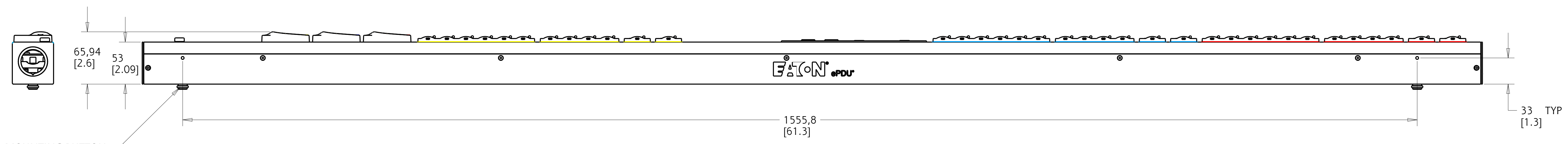
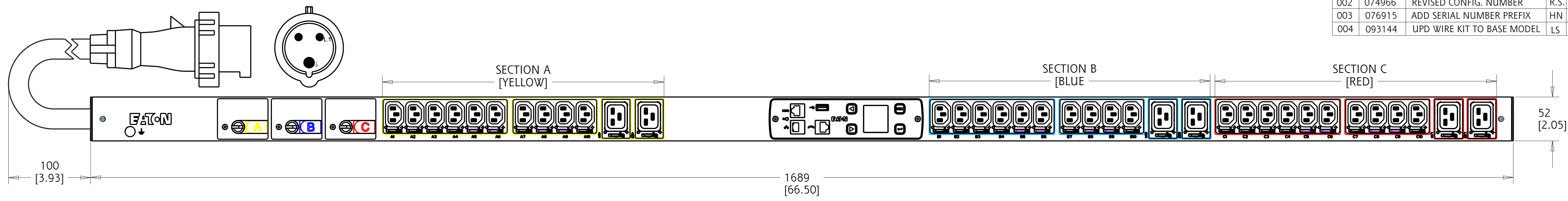
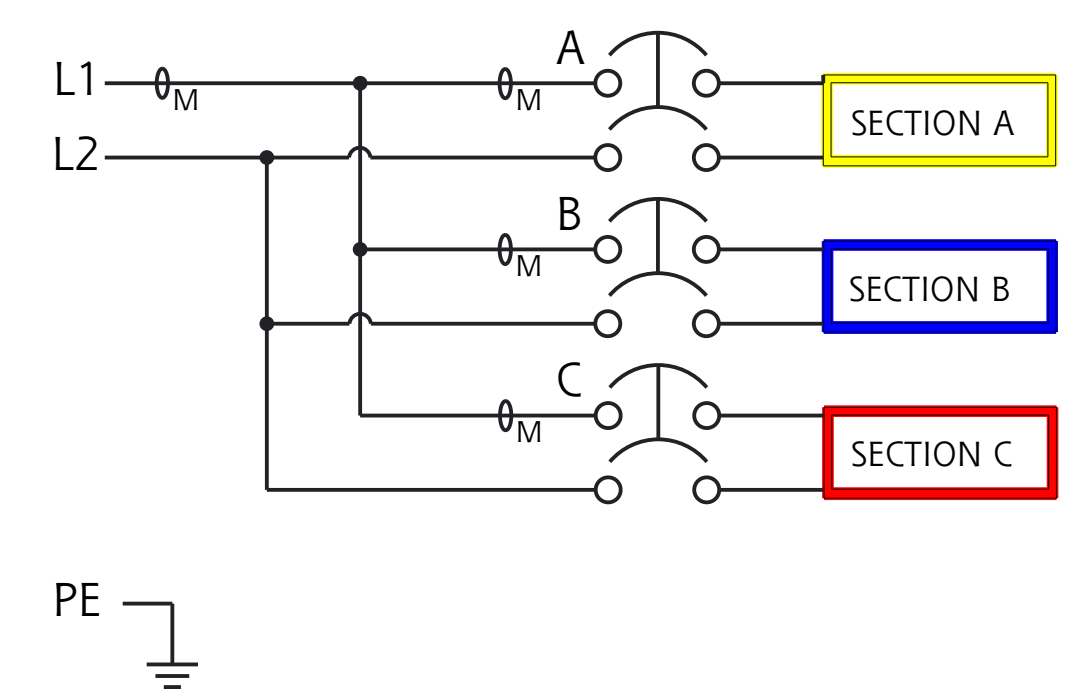


REV	ECO No.	REVISION	DR	CK	AP	DATE
001	060477	ENGINEERING RELEASE	RS			08 OCT 14
002	074966	REVISED CONFIG. NUMBER	R.S.			09 DEC 14
003	076915	ADD SERIAL NUMBER PREFIX	HN			28 JAN 15
004	093144	UPD WIRE KIT TO BASE MODEL	LS			18 NOV 15



EMI105-10 G3 METERED INPUT

FUNCTIONALITY	INPUT	OUTPUT	ENVIRONMENTAL
CURRENT, POWER, AND ENERGY METERING FOR INPUT AND BRANCH	IEC 60309 360P6W PLUG 10FT 6AWG / 3C POWERCORD	(30) IEC 60320 C13 GRIP (6) IEC 60320 C19 GRIP	32° TO 140° F 0° TO 60° C
MECHANICAL	INPUT RATING	OUTPUT RATING	CERTIFICATIONS
66.50" (1689mm) LENGTH 2.05" (52mm) WIDTH 2.09" (53mm) DEPTH ALUMINUM CHASSIS, BLACK	200-240 V 2W + PE 48A 50/60HZ	200-240V 15A PER C13, 16A PER C19 16A MAX PER SECTION 48A MAX TOTAL	
CIRCUIT BREAKERS	FILTER AND SPIKE/SURGE	ACCESSORIES	CONFIGURATION
(3) 20A 2-POLE LISTED	NONE	INCLUDED SPK012 - INSTALLATION INCLUDED SPK013 - NETWORK OPTIONAL EMP001 - ENVIRONMENTAL PROBE	EMI3CL35JGJ78A1 SERIAL NUMBER B682 _____



METRIC		EATON CORPORATION, ELECTRICAL		SIZE D
DESCRIPTION: ePDU G3 SPECIFICATION FOR EMI105-10				
MODIFIED BY: R. SIEGFRIED	DATE: 09/08/2014	UNLESS OTHERWISE SPECIFIED TOLERANCES ON DIMENSIONS ARE: ANGLES: ±10° DECIMALS: 0.X: ±0.25 X (FOR X < 3): ±1		SCALE: 0:400
ECO: 060477	STATE: RELEASED	DIMENSIONS ARE IN MILLIMETERS (INCHES) AND AFTER PLATING		DO NOT SCALE DRAWING OR CHANGE MANUALLY
PRO-ENGINEER GENERATED		PART NAME: EMI3CL35JGJ78A1	REVISION: 004	SHEET: 1 of 1
<small>EATON CORPORATION - CONFIDENTIAL AND PROPRIETARY NOTICE TO PERSONS RECEIVING THIS DOCUMENT AND/OR TECHNICAL INFORMATION THIS DOCUMENT, INCLUDING THE DRAWING AND INFORMATION CONTAINED THEREON, IS CONFIDENTIAL AND IS THE EXCLUSIVE PROPERTY OF EATON CORPORATION AND IS SUBJECT TO RECALL BY EATON AT ANY TIME. BY TAKING POSSESSION OF THIS DOCUMENT, THE RECIPIENT ACKNOWLEDGES AND AGREES THAT THIS DOCUMENT CANNOT BE USED IN ANY MANNER ADVERSE TO THE INTERESTS OF EATON, AND THAT NO PORTION OF THIS DOCUMENT MAY BE COPIED OR OTHERWISE REPRODUCED WITHOUT THE PRIOR WRITTEN CONSENT OF EATON. IN THE CASE OF CONFLICTING CONTRACTUAL PROVISIONS, THIS NOTICE SHALL GOVERN THE STATUS OF THIS DOCUMENT. © 2008 Eaton Corporation. All Rights Reserved.</small>				