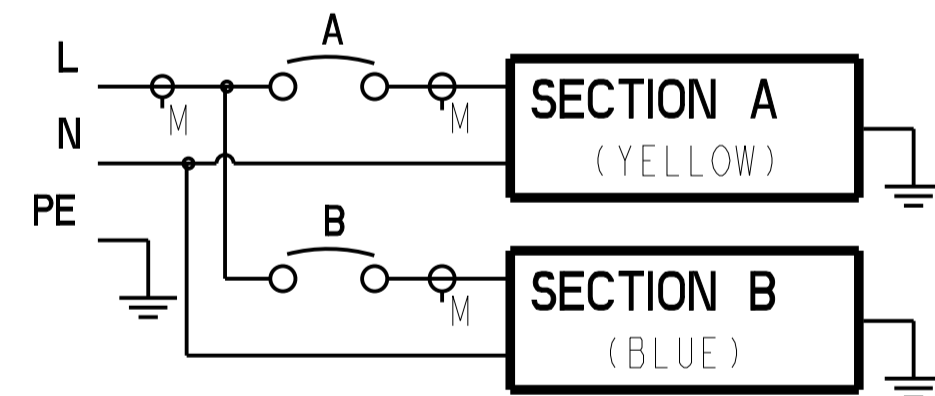


CABLE LENGTH SHOWN NOT TO SCALE

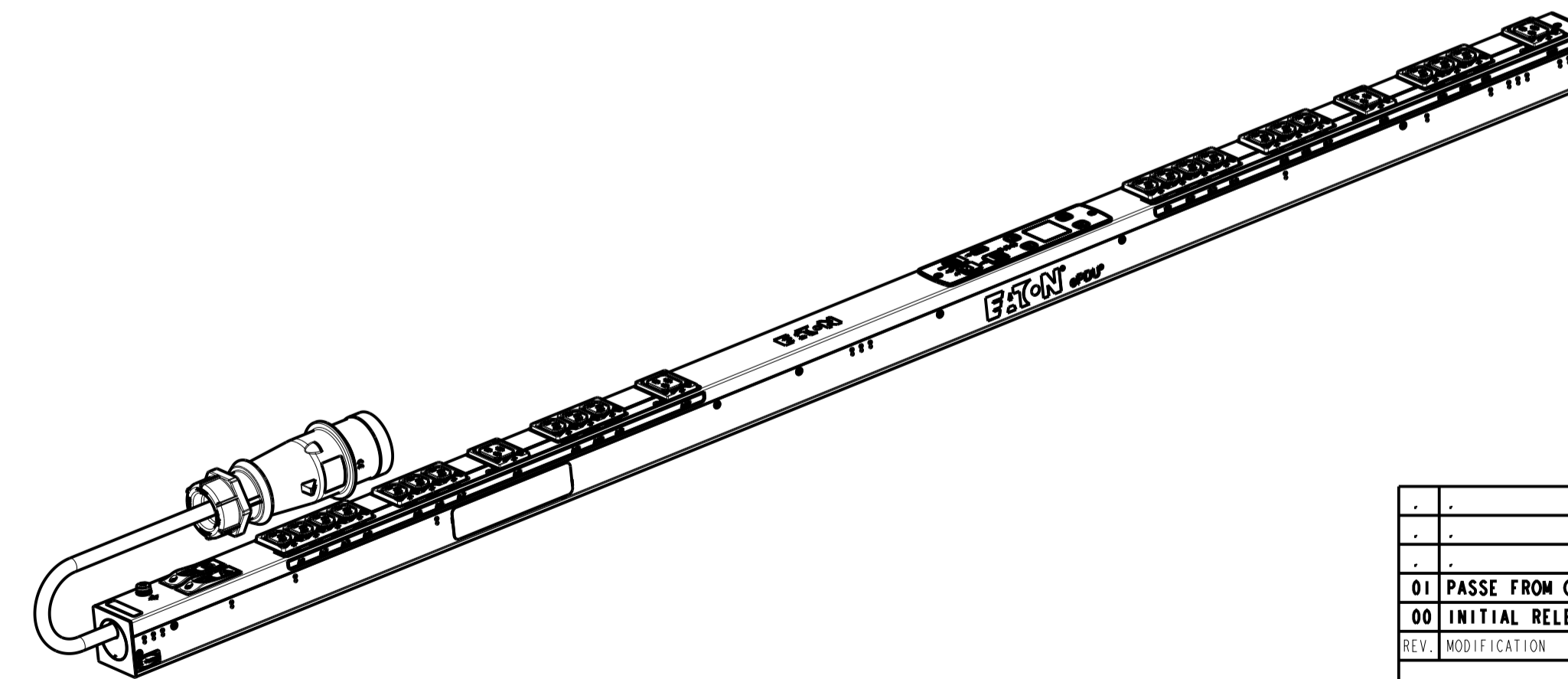


CIRCUIT SCHEMATIC



## EMAB05-30R G3+ MANAGED

FUNCTIONALITY	INPUT	OUTPUT	ENVIRONMENTAL
CURRENT POWER AND ENERGY METERING FOR INPUT, BRANCH AND OUTLETS INDIVIDUAL OUTLET CONTROL	IEC 60309-2 32A 230V~ W+N+PE 4.0MM HO7 POWER CORD CABLE LENGTH: 3.0M	(20) IEC 60320 C13 GRIP/P-LOCK (4) IEC 60320 C19 GRIP/P-LOCK	0 TO 60°C
MECHANICAL	INPUT RATING	OUTPUT RATING	CERTIFICATIONS
LENGTH: 1604MM WIDTH: 52 MM DEPTH: 53MM ALUMINIUM CHASSIS, RED MNT PATTERN SK-23919-Y1	1Ø; 200-240V~; W+N+PE 50/60HZ 32A	200-240V~; 50/60HZ 10A PER C13; 16A PER C19 16A MAX PER SECTION 32A MAX TOTAL	CE, CB
CIRCUIT BREAKERS	FILTER AND SPIKE/SURGE	ACCESSORIES	CONFIGURATION
(2) 16A 1-POLE	NONE	STANDARD KSP025 - EPDU G3 EMEA VERT INSTALL NETWORK PACK KA35 OPTIONAL EMPDTHIC2 - ENVIRONMENTAL PROBE	EMA6CH8FBDD77KM



PICTORIAL VIEW  
REFERENCE ONLY  
SCALE 0.200

01 PASSE FROM G3 TO G3+		07.09.2021	YEW	MB
00 INITIAL RELEASE		28.03.2017	RA	MB
REV. MODIFICATION		DATE	DESS/DRAW	VERIF.
<b>EATON</b> HEINEMANN PRODUCTS		VUE/VIEW EUROPE	ECHELLE / SCALE 1/4	N° MAG EMAB05-30R
CH-1345 LE LIEU SWITZERLAND		DESSINE LE / DRAWN THE	28.03.2017	
TRAITEMENT / FINISH NA		PAR / BY	RA	
MATERIE / MATERIAL NA		VERIFIE PAR / VERIFIED BY	MB	
NIVEAU DU CERTIFICAT DE SOUMISSION REDUIS / SAMPLES APPROVAL PROCESS REPORT X		DIMENSIONS AND TOLERANCES IN MILLIMETERS		
DESIGNATION EPDU MA 0U (309 32A 1P)20XC13:4XC19 RED		SK-103619-Y1	01	
COTES A CONTROLER / INSPECTION DIMENSIONS	XX.XX	COTES FONCTIONNELLES / FUNCTIONAL DIMENSIONS	XX.XX	NUMERO DU PLAN / PLAN NUMBER
Ce document est propriété de Eaton Industries Manufacturing GmbH. Duplication interdite sans autorisation. This document is Eaton Industries Manufacturing GmbH property. Duplication forbidden without authorization.				