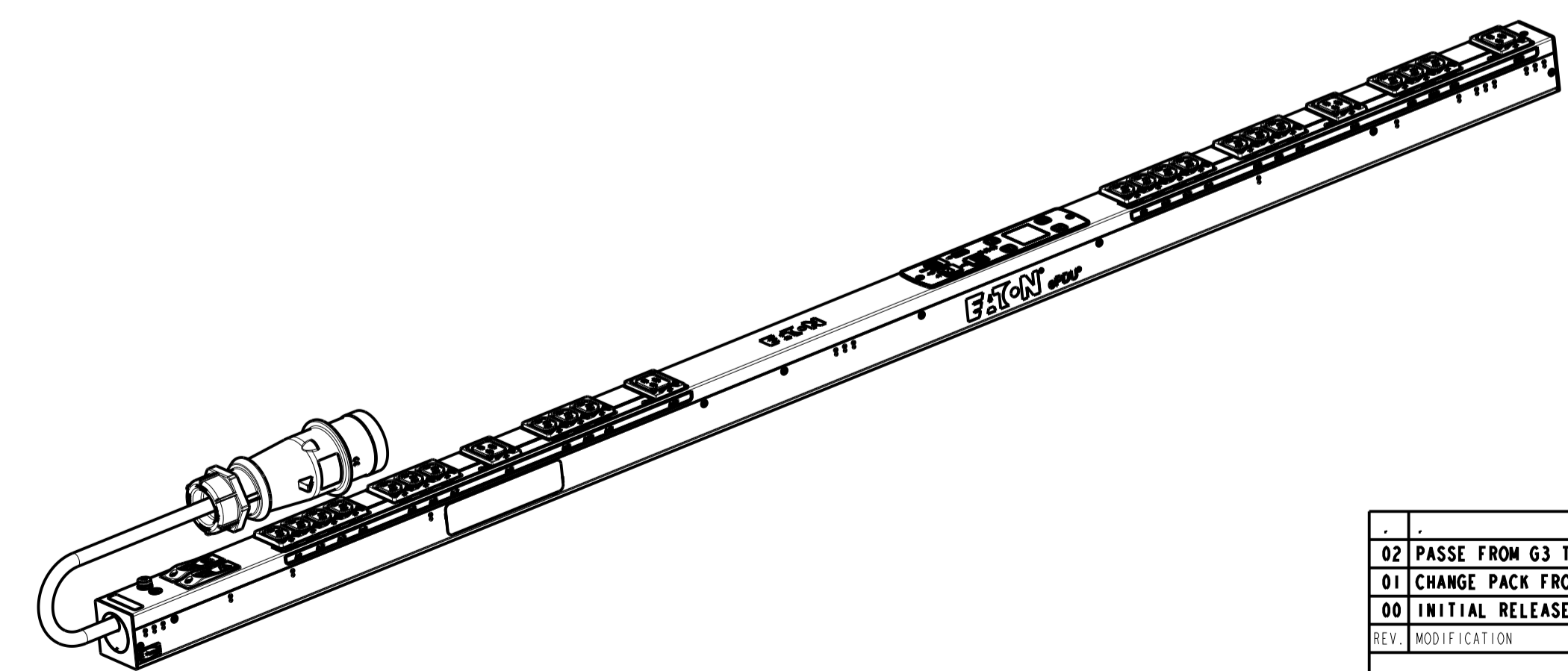
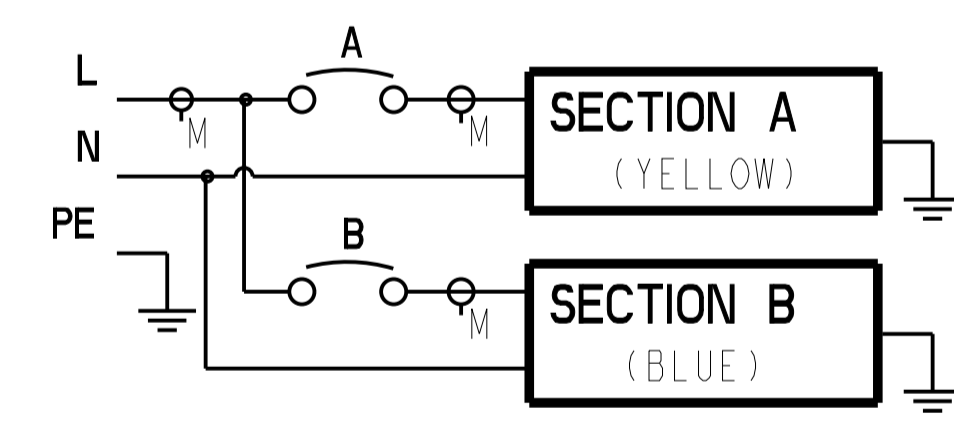


CABLE LENGTH SHOWN NOT TO SCALE



CIRCUIT SCHEMATIC



PICTORIAL VIEW
SCALE 0.200

EMAB05-30B G3+ MANAGED

FUNCTIONALITY	INPUT	OUTPUT	ENVIRONMENTAL
CURRENT POWER AND ENERGY METERING FOR INPUT, BRANCH AND OUTLETS INDIVIDUAL OUTLET CONTROL	IEC 60309-2 32A 230V~ W+N+PE 4.0MM HO7 POWER CORD CABLE LENGTH: 3.0M	(20) IEC 60320 C13 GRIP/P-LOCK (4) IEC 60320 C19 GRIP/P-LOCK	0 TO 60°C
MECHANICAL	INPUT RATING	OUTPUT RATING	CERTIFICATIONS
LENGTH: 1604MM WIDTH: 52 MM DEPTH: 53MM ALUMINIUM CHASSIS, BLUE MNT PATTERN SK-23919-Y1	1Ø; 200-240V~; W+N+PE 50/60HZ 32A	200-240V~; 50/60HZ 10A PER C13; 16A PER C19 16A MAX PER SECTION 32A MAX TOTAL	CE, CB
CIRCUIT BREAKERS	FILTER AND SPIKE/SURGE	ACCESSORIES	CONFIGURATION
(2) 16A 1-POLE	NONE	STANDARD KSP025 - EPDU G3 EMEA VERT INSTALL NETWORK PACK KA35 OPTIONAL EMPDTIHIC2 - ENVIRONMENTAL PROBE	EMA6CH8FBDD77FM

02 PASSE FROM G3 TO G3+	07.09.2021	YEW	MB
01 CHANGE PACK FROM KSP015 TO KSP025	07.07.2017	VV	MB
00 INITIAL RELEASE	23.03.2017	VV	MB
REV. MODIFICATION	DATE	DESS/DRAB	VERIF.
HEINEMANN PRODUCTS CH-1345 LE LIEU SWITZERLAND		VUE/VIEW EUROPE	N° MAG
		ECHELLE / SCALE 1/4	EMAB05-30B
		DESSINE LE / DRAWN THE	23.03.2017
		PAR / BY	VV
		VERIFIE PAR / VERIFIED BY	MB
NIVEAU DU CERTIFICAT DE SOUMISSION REQUIS / SAMPLES APPROVAL PROCESS REPORT X			
DIMENSIONS AND TOLERANCES IN MILLIMETERS			
DESIGNATION		SK-102219-Y1	02
COTES A CONTROLER / INSPECTION DIMENSIONS		XX.XX	REV.
COTES FONCTIONNELLES / FUNCTIONAL DIMENSIONS		XX.XX	
Ce document est propriété de Eaton Industries Manufacturing GmbH. Duplication interdite sans autorisation. This document is Eaton Industries Manufacturing GmbH property. Duplication forbidden without authorization.			