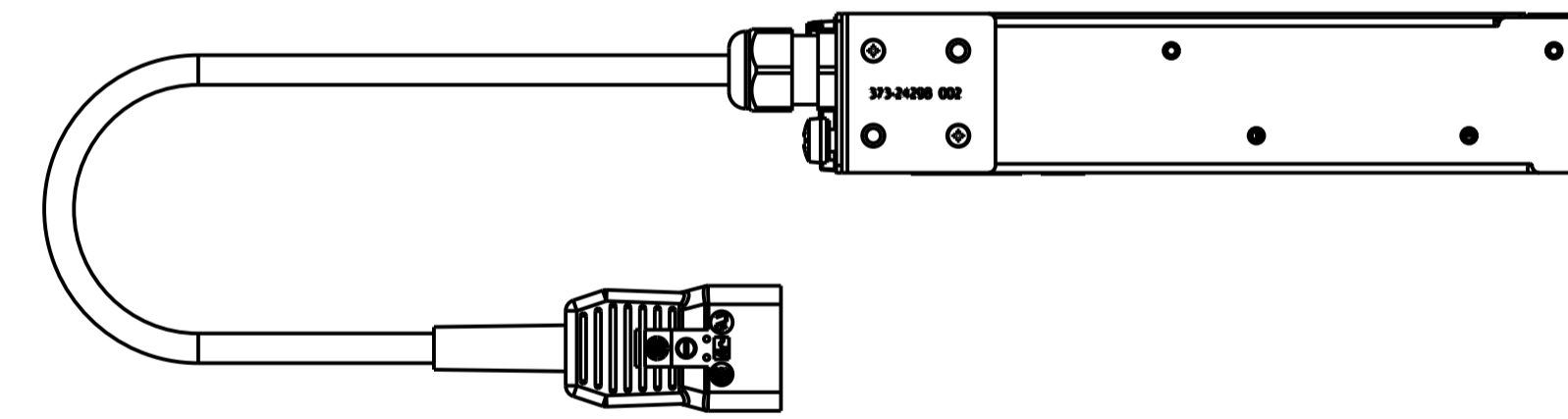
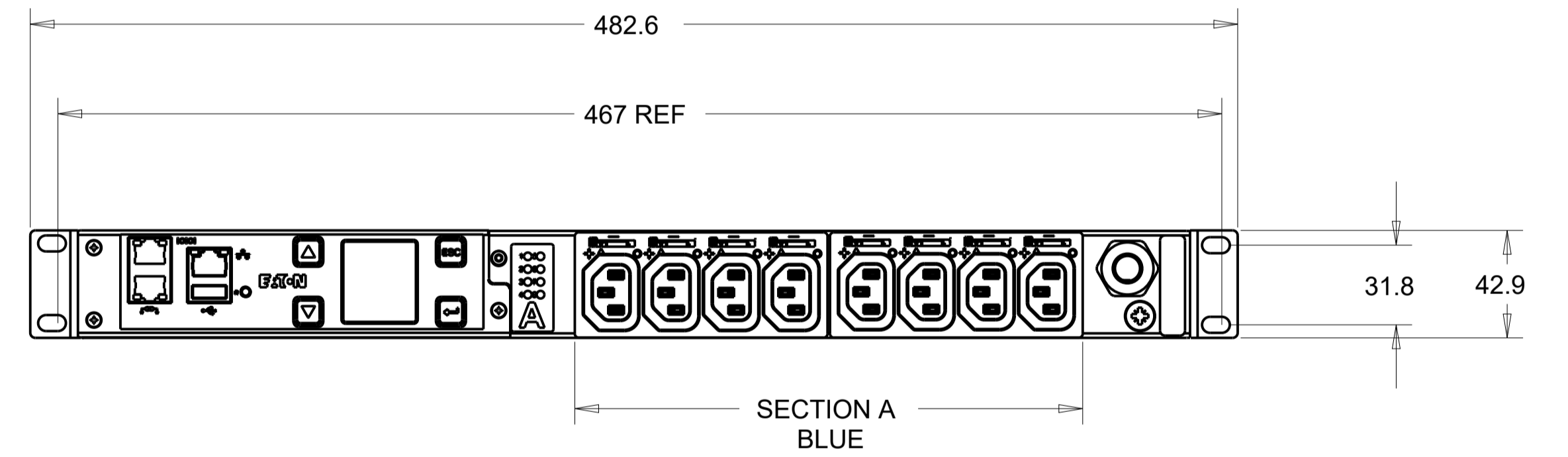
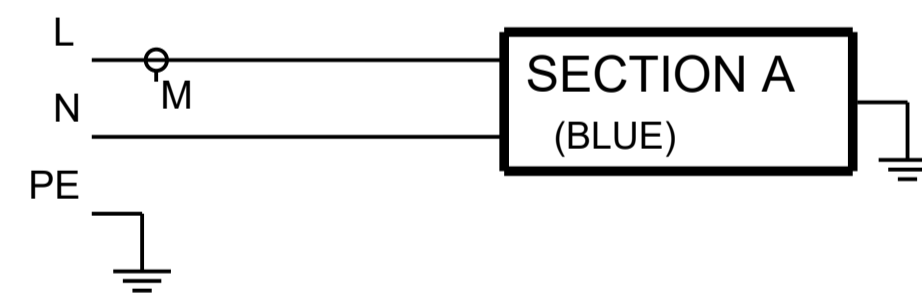


PICTORIAL VIEW
REFERENCE ONLY



CABLE SHOWN NOT TO SCALE

CIRCUIT SCHEMATIC



EMAH28 G3+ MANAGED

FUNCTIONALITY	INPUT	OUTPUT	ENVIRONMENTAL
CURRENT POWER AND ENERGY METERING FOR INPUT, BRANCH AND OUTLETS. INDIVIDUAL OUTLET CONTROL	IEC 60309 C20 16A 230V~ W+N+PE 1.5MM HO5 POWER CORD CABLE LENGTH: 3.0 M	(8) IEC 60320 C13 GRIP / P-LOCK	0 TO 60 °C
MECHANICAL	INPUT RATING	OUTPUT RATING	CERTIFICATIONS
LENGTH: 203.2MM WIDTH: 444.5 MM DEPTH: 42.9MM ALUMINIUM CHASSIS, BLACK 19 INCH RACK MOUNT	1Ø; 200-240V~;W+N+PE 50/60HZ 16A	200-240V~;50/60HZ 10A PER C13 16A MAX TOTAL	CE, CB
CIRCUIT BREAKERS	FILTER AND SPIKE/SURGE	ACCESSORIES	CONFIGURATION
NONE	NONE	STANDARD KSP011 - 1U INSTALL NETWORK PACK OPTIONAL EMPDT1H1C2 - ENVIRONMENTAL PROBE	EMA6CXHFABB13AM

02	UPDATE FOR ORACLE CORRECTION	08.06.2017	VV	MB
01	CHANGE CONFIG N° FROM EMA3CXHFABB13AM TO EMA6CXHFABB13AM	27.03.2017	VV	MB
00	INITIAL RELEASE	12.12.2016	VV	MB
REV	MODIFICATION	DATE	DESIGNER	VERIF
HEINEMANN PRODUCTS CH-1345 LE LIEU SWITZERLAND		VUE/VIEW EUROPE	ECHELLE / SCALE 1/2	N° MAG EMAH28
		DESINE LE / DRAWED THE 12.12.2016		PAR / BY VV
TOLERANCE GENERALE / GENERAL TOLERANCE ± 0.1 ± 0.5°		VERIFIE PAR / VERIFIED BY MB		
TRAITEMENT / FINISH NA				
MATIERE / MATERIAL NA				
NIVEAU DU CERTIFICAT DE SOUMISSION REQUIS / SAMPLES APPROVAL PROCESS REPORT X		DIMENSIONS AND TOLERANCES IN MILLIMETERS		
DESIGNATION EPDU MA 1U (C20 16A 1P)C13X8		SK-83319-Y1	03	
COTES A CONTROLER / INSPECTION DIMENSIONS XX.XX		COTES FONCTIONNELLES / FUNCTIONAL DIMENSIONS # XX.XX		NUMERO DU PLAN / PLAN NUMBER
Ce document est propriété de Eaton Industries Manufacturing GmbH. Duplication interdite sans autorisation. This document is Eaton Industries Manufacturing GmbH property. Duplication forbidden without authorization.				