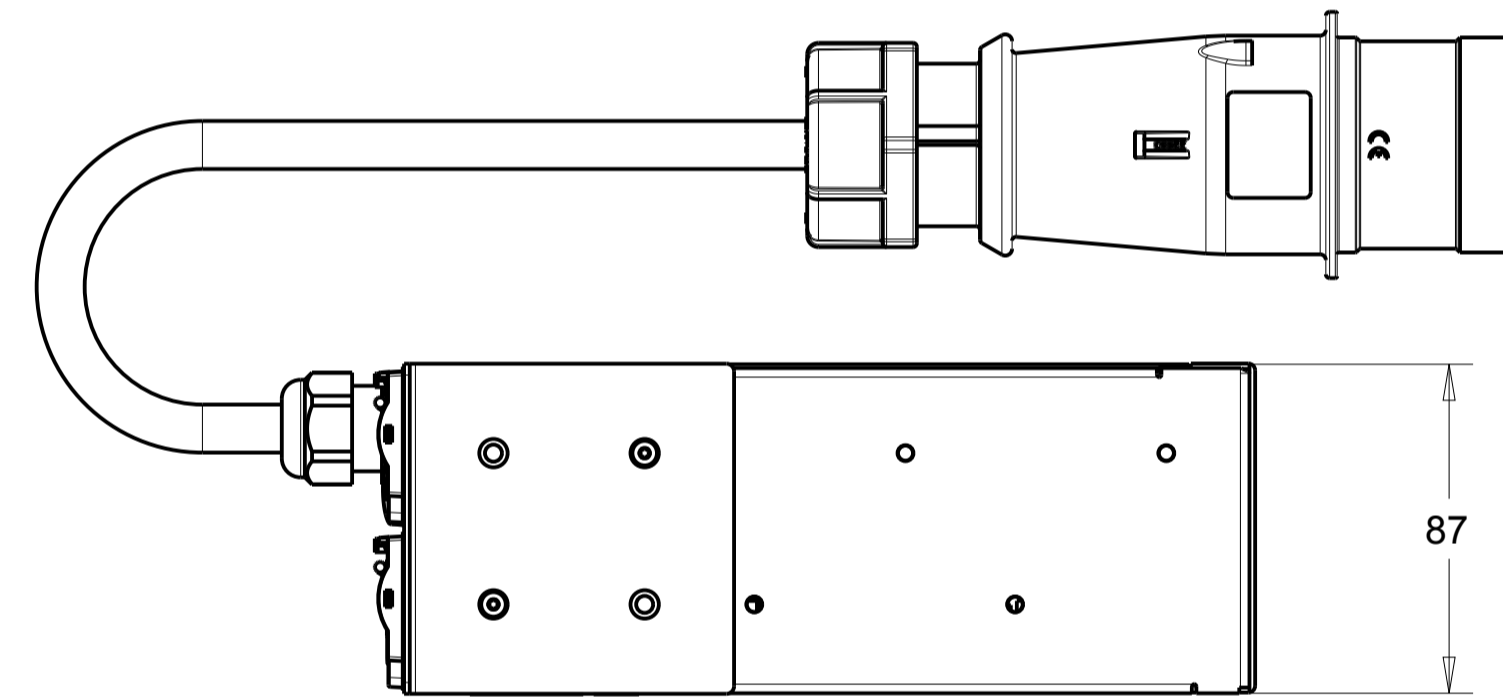
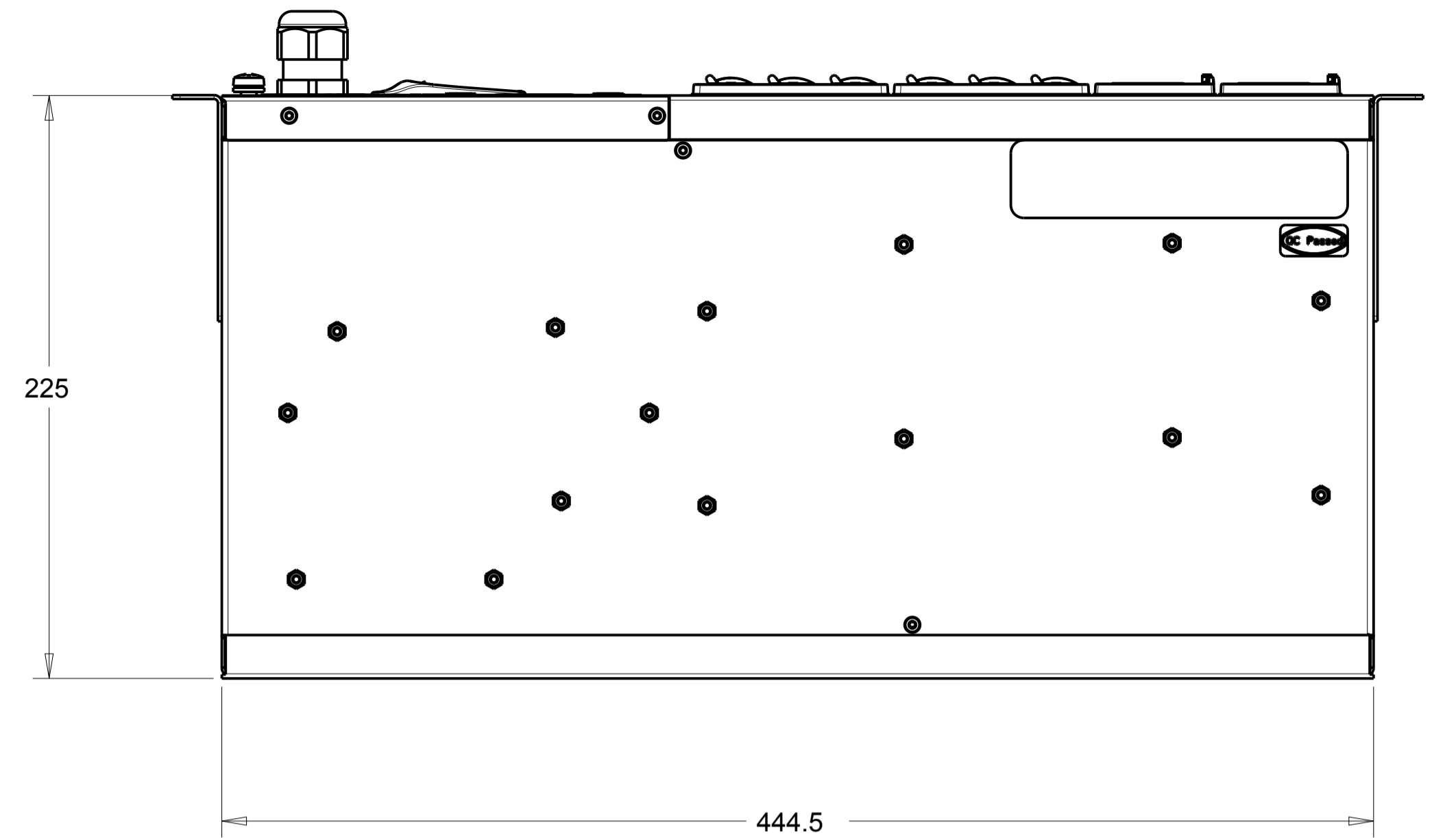
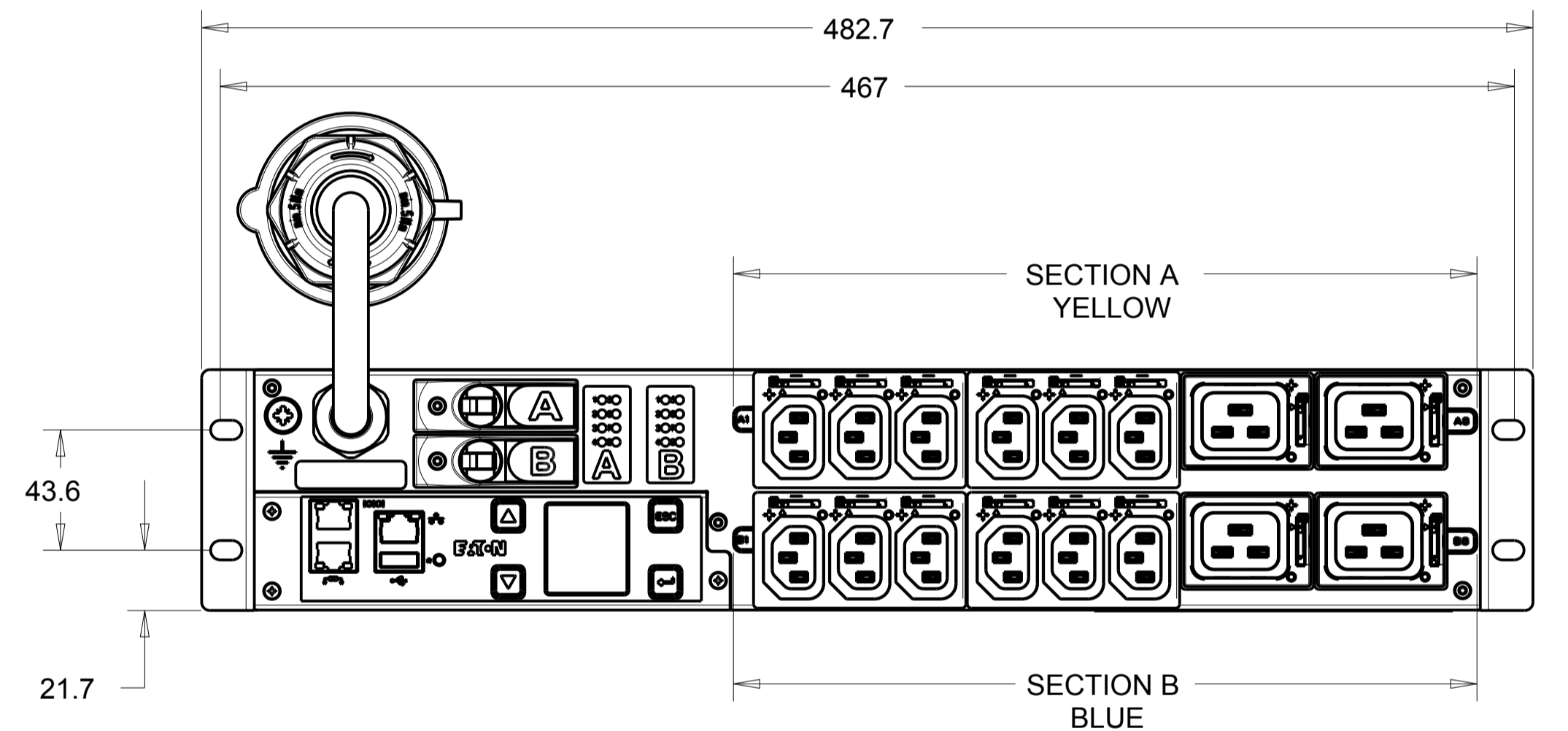
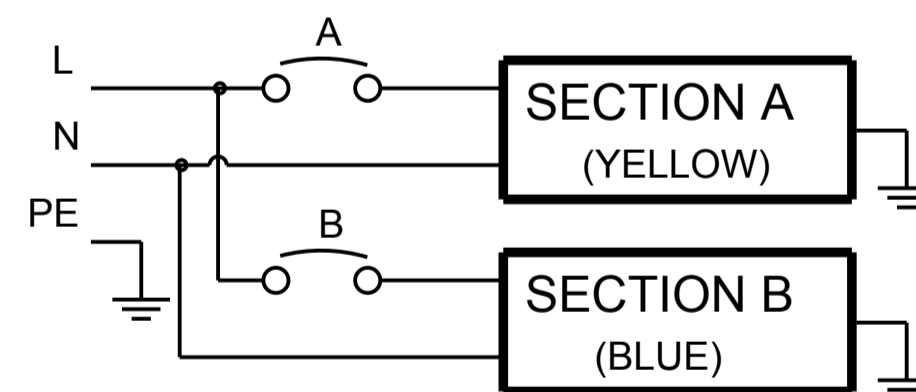


PICTORIAL VIEW
REFERENCE ONLY



INPUT CABLE SHOWN NOT TO SCALE

CIRCUIT SCHEMATIC



EMAH06 G3+ MANAGED

FUNCTIONALITY	INPUT	OUTPUT	ENVIRONMENTAL
CURRENT POWER AND ENERGY METERING FOR INPUT, BRANCH AND OUTLETS. INDIVIDUAL OUTLET CONTROL.	IEC 60309-2 32A 320V~ W+N+PE 4.0MM HO7 POWER CORD CABLE LENGTH: 3.0M	(12) IEC 60320 C13 GRIP / P-LOCK (4) IEC 60320 C19 GRIP / P-LOCK	0 TO 60° C
MECHANICAL	INPUT RATING	OUTPUT RATING	CERTIFICATIONS
LENGTH: 225MM WIDTH: 444.5 MM DEPTH: 87.2MM ALUMINIUM CHASSIS, BLACK 19 INCH RACK MOUNT	1Ø; 200-240V~;W+N+PE 50/60HZ 32A	200-240V~;50/60HZ 10A PER C13;16A PER C19 16A MAX PER SECTION 32A MAX TOTAL	CE, CB
CIRCUIT BREAKERS	FILTER AND SPIKE/SURGE	ACCESSORIES	CONFIGURATION
(2) 16A 1-POLE	NONE	STANDARD KSP013 - 2U INSTALLATION AND NETWORK KIT OPTIONAL EMPDT1H1C2 - ENVIRONMENTAL PROBE	EMA6CHJFDB24AM

01 CHANGE DESCRIPTION FROM 3P TO 1P		09.02.2017	VV	MB
00 INITIAL RELEASE		21.12.2016	RA	MB
REV. / MODIFICATION		DATE	DESIGNER	VERIF.
EATON HEINEMANN PRODUCTS		VUE/VIEW EUROPE: 1/2	N° MAG: EMAH06	
CH-1345 LE LIEU SWITZERLAND		DESSEINE LE / DRAWN THE: 21.12.2016	PAR / BY: RA	
TOLERANCE GENERALE / GENERAL TOLERANCE: ± 0.1 ± 0.5*		VERIFIE PAR / VERIFIED BY: MB		
TRAITEMENT / FINISH: NA				
MATIERE / MATERIAL: NA				
NIVEAU DU CERTIFICAT DE SOUMISSION REQUIS / SAMPLES APPROVAL PROCESS REPORT: X		DIMENSIONS AND TOLERANCES IN MILLIMETERS		
DESIGNATION: EPDU MA 2U (309 32A 1P)12XC13:4XC19	SK-87419-Y1	01		
COTES A CONTROLER / INSPECTION DIMENSIONS: XX.XX	COTES FONCTIONNELLES / FUNCTIONAL DIMENSIONS: # XX.XX	NUMERO DU PLAN / PLAN NUMBER: REV.		

Ce document est propriété de Eaton Industries Manufacturing GmbH. Duplication interdite sans autorisation.
This document is Eaton Industries Manufacturing GmbH property. Duplication forbidden without authorization.