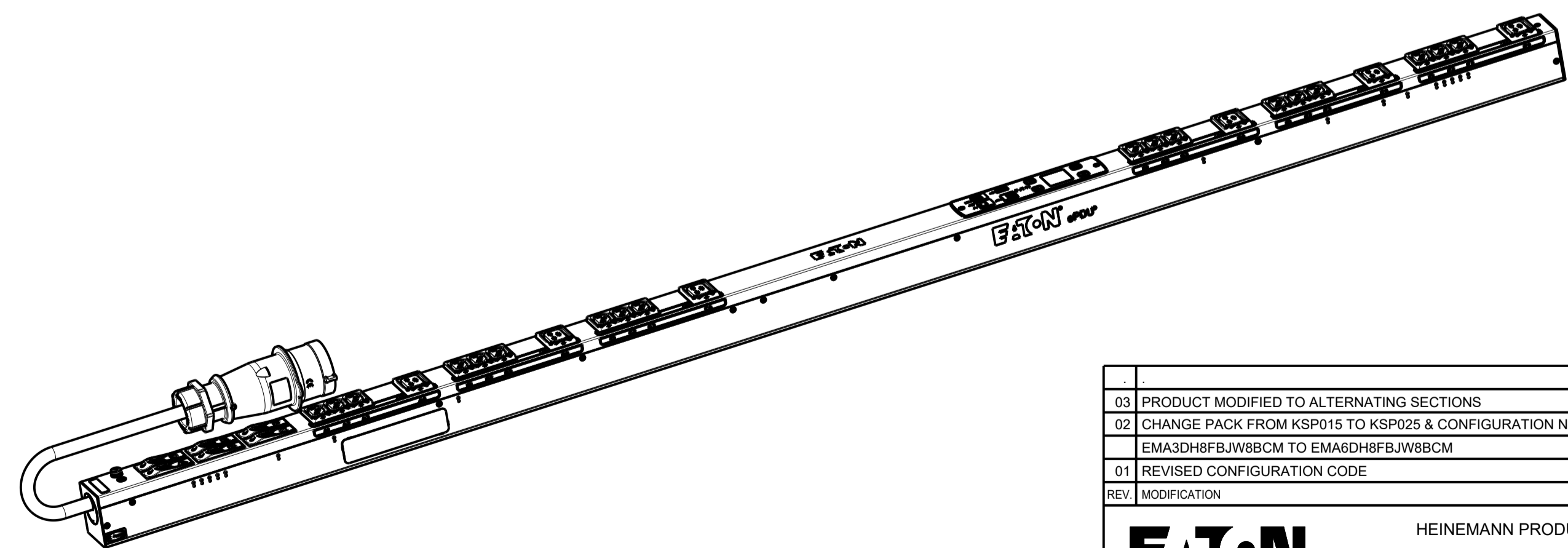


CABLE LENGTH SHOWN NOT TO SCALE



EMAB33 G3+ MANAGED

FUNCTIONALITY	INPUT	OUTPUT	ENVIRONMENTAL
CURRENT POWER AND ENERGY METERING FOR INPUT, BRANCH AND OUTLETS. INDIVIDUAL OUTLET CONTROL	IEC 60309-2 32A 400V~ WYE, 3W+N+PE 4.0MM HO7 POWER CORD CABLE LENGTH: 3.0M	(18) IEC 60320 C13 GRIP / P-LOCK (6) IEC 60320 C19 GRIP / P-LOCK ALTERNATING PHASES	0 TO 60 °C
MECHANICAL	INPUT RATING	OUTPUT RATING	CERTIFICATIONS
LENGTH: 1829MM WIDTH: 52 MM DEPTH: 65MM ALUMINIUM CHASSIS, BLACK MNT PATTERN SK-23919-Y1	3Ø;346-415V~; WYE, 3W+N+PE 50/60HZ 32A	200-240V~;50/60HZ 10A PER C13;16A PER C19 16A MAX PER SECTION 32A MAX PER PHASE	CE, CB
CIRCUIT BREAKERS	FILTER AND SPIKE/SURGE	ACCESSORIES	CONFIGURATION
(6) 16A 1-POLE	NONE	STANDARD KSP025 - VERT INSTALLATION AND NETWORK PACK KA35 OPTIONAL EMPDT1H1C2 - ENVIRONMENTAL PROBE	EMA6DH8FBJW8BCM



SCALE 0.188

03	PRODUCT MODIFIED TO ALTERNATING SECTIONS	06.03.2019	AEK	M.B
02	CHANGE PACK FROM KSP015 TO KSP025 & CONFIGURATION NO FROM ... EMA3DH8FBJW8BCM TO EMA6DH8FBJW8BCM	08.05.2017	VV	M.B
01	REVISED CONFIGURATION CODE	03.11.2014	G.McD	M.B
REV	MODIFICATION	DATE	DESIGNER	VERIF
		HEINEMANN PRODUCTS CH-1345 LE LIEU SWITZERLAND		VUE/VIEW EUROPE: 4/10 ECHELLE / SCALE: EMAB33 DESSINE LE / DRAWED THE: 20.08.2014 PAR / BY: G.McD VERIFIE PAR / VERIFIED BY: M.B
TOLERANCE GENERALE / GENERAL TOLERANCE: NA TRAITEMENT / FINISH: NA MATIERE / MATERIAL: NA		NIVEAU DU CERTIFICAT DE SOUMISSION REQUIS / SAMPLES APPROVAL PROCESS REPORT: X DIMENSIONS AND TOLERANCES IN MILLIMETERS		
DESIGNATION: EPDU MA 0U (309 32A 3P)18XC13.6XC19		sk-40719-y1		03
COTES A CONTROLER / INSPECTION DIMENSIONS: XX.XX		COTES FONCTIONNELLES / FUNCTIONAL DIMENSIONS: # XX.XX		NUMERO DU PLAN / PLAN NUMBER: REV.
<small>Ce document est propriété de Eaton Industries Manufacturing GmbH. Duplication interdite sans autorisation. This document is Eaton Industries Manufacturing GmbH property. Duplication forbidden without authorization.</small>				