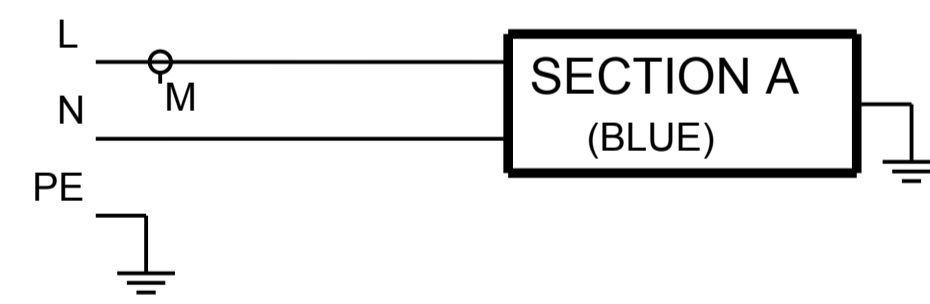


CABLE LENGTH SHOWN NOT TO SCALE



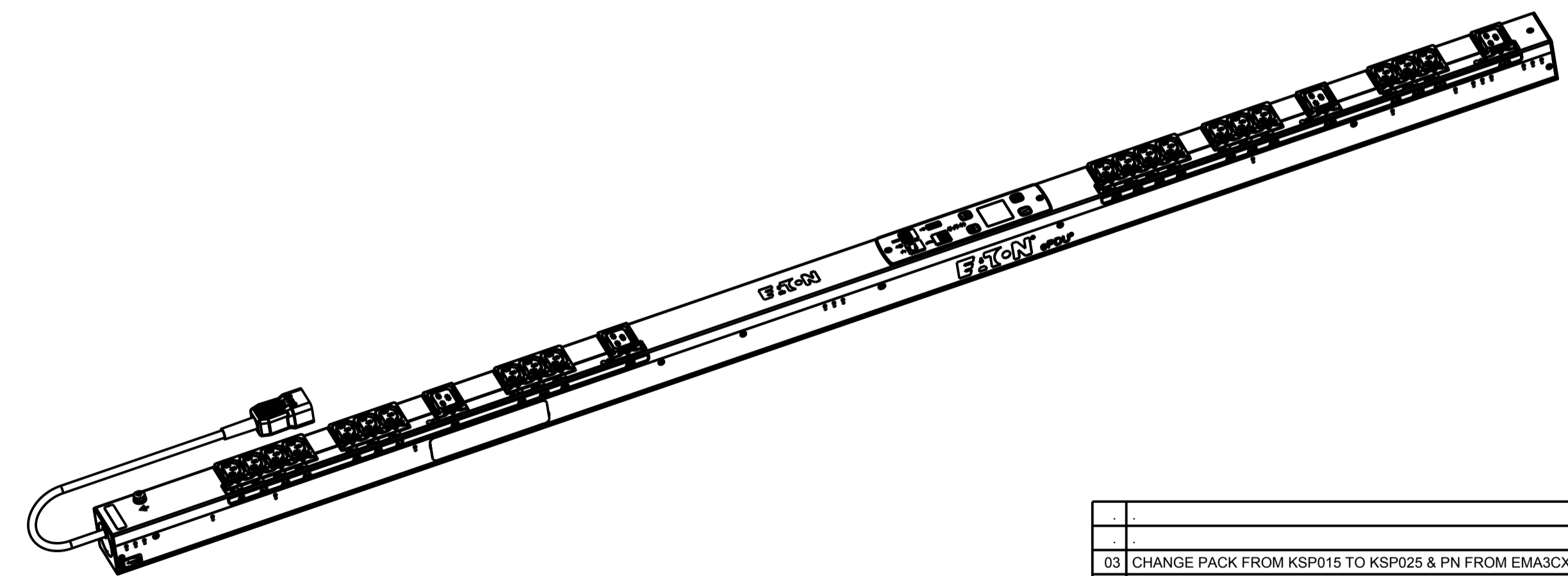
SECTION A  
BLUE

CIRCUIT SCHEMATIC



## EMAB22 G3+ MANAGED

FUNCTIONALITY	INPUT	OUTPUT	ENVIRONMENTAL
CURRENT POWER AND ENERGY METERING FOR INPUT, BRANCH AND OUTLETS. INDIVIDUAL OUTLET CONTROL	IEC 60309 C20 16A 230V~ W+N+PE 1.5MM HO5 POWER CORD CABLE LENGTH: 3.0 M	(20) IEC 60320 C13 GRIP / P-LOCK (4) IEC 60320 C19 GRIP / P-LOCK	0 TO 60 °C
MECHANICAL	INPUT RATING	OUTPUT RATING	CERTIFICATIONS
LENGTH: 1604MM WIDTH: 52 MM DEPTH: 53MM ALUMINIUM CHASSIS, BLACK MNT PATTERN SK-23919-Y1	1Ø; 200-240V~;W+N+PE 50/60HZ 16A	200-240V~;50/60HZ 10A PER C13;16A PER C19 16A MAX TOTAL	CE, CB
CIRCUIT BREAKERS	FILTER AND SPIKE/SURGE	ACCESSORIES	CONFIGURATION
NONE	NONE	STANDARD KSP025 - VERT INSTALLATION AND NETWORK PACK KA35 OPTIONAL EMPDT1H1C2 - ENVIRONMENTAL PROBE	EMA6CX7FABH77AM



SCALE 0.200

03 CHANGE PACK FROM KSP015 TO KSP025 & PN FROM EMA3CX7FABH77AM TO ...		04.07.2017	VV	MB
... EMA6CX7FABH77AM				
01 REVISED CERTIFICATION CODE.		31.10.2014	G.McD.	M.B.
REV	MODIFICATION	DATE	DESIGNER	VERIF
<b>EATON</b>		HEINEMANN PRODUCTS		VUE/VIEW EUROPE: 4/10
CH-1345 LE LIEU SWITZERLAND		DESIGNEE LE / DRAWN THE 25.08.2014		N° MAG EMAB22
TRAITEMENT / FINISH NA		PAR / BY G.McD.		VERIFIE PAR / VERIFIED BY M.B.
MATERIE / MATERIAL NA		NIVEAU DU CERTIFICAT DE SOUMISSION REQUIS / SAMPLES APPROVAL PROCESS REPORT X		DIMENSIONS AND TOLERANCES IN MILLIMETERS
DESIGNATION EPDU MA 0U (C20 16A 1P)20XC13.4XC19		SK-41419-Y1		03
COTES A CONTROLER / INSPECTION DIMENSIONS XX.XX		COTES FONCTIONNELLES / FUNCTIONAL DIMENSIONS # XX.XX		NUMERO DU PLAN / PLAN NUMBER
Ce document est propriété de Eaton Industries Manufacturing GmbH. Duplication interdite sans autorisation. This document is Eaton Industries Manufacturing GmbH property. Duplication forbidden without authorization.				