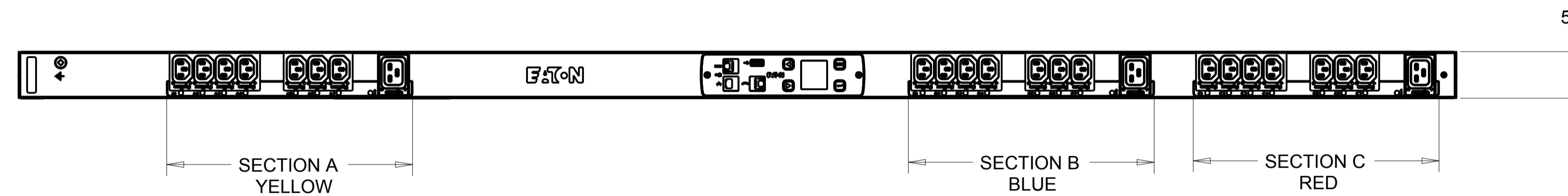
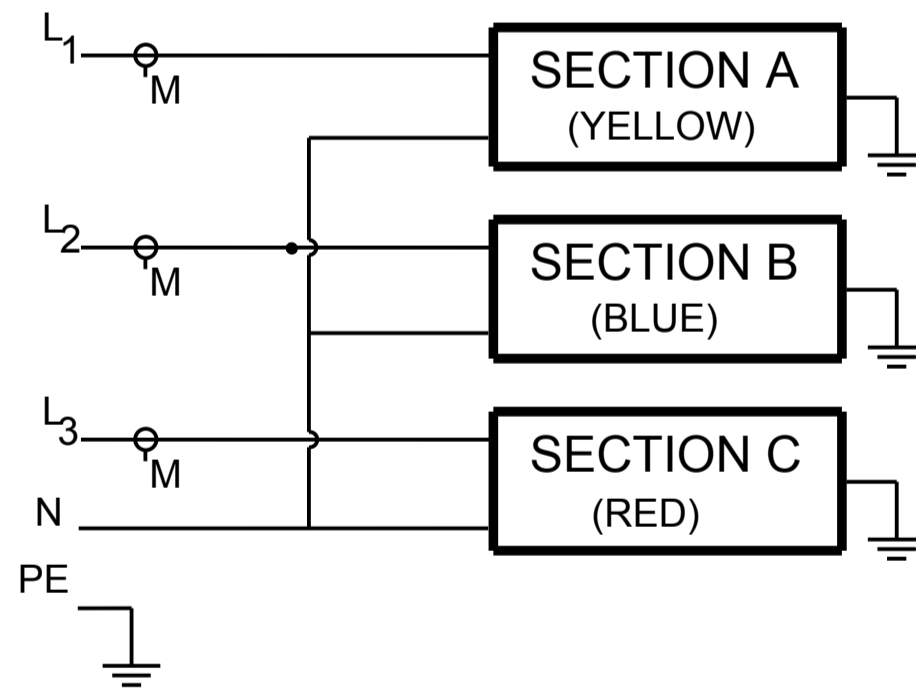


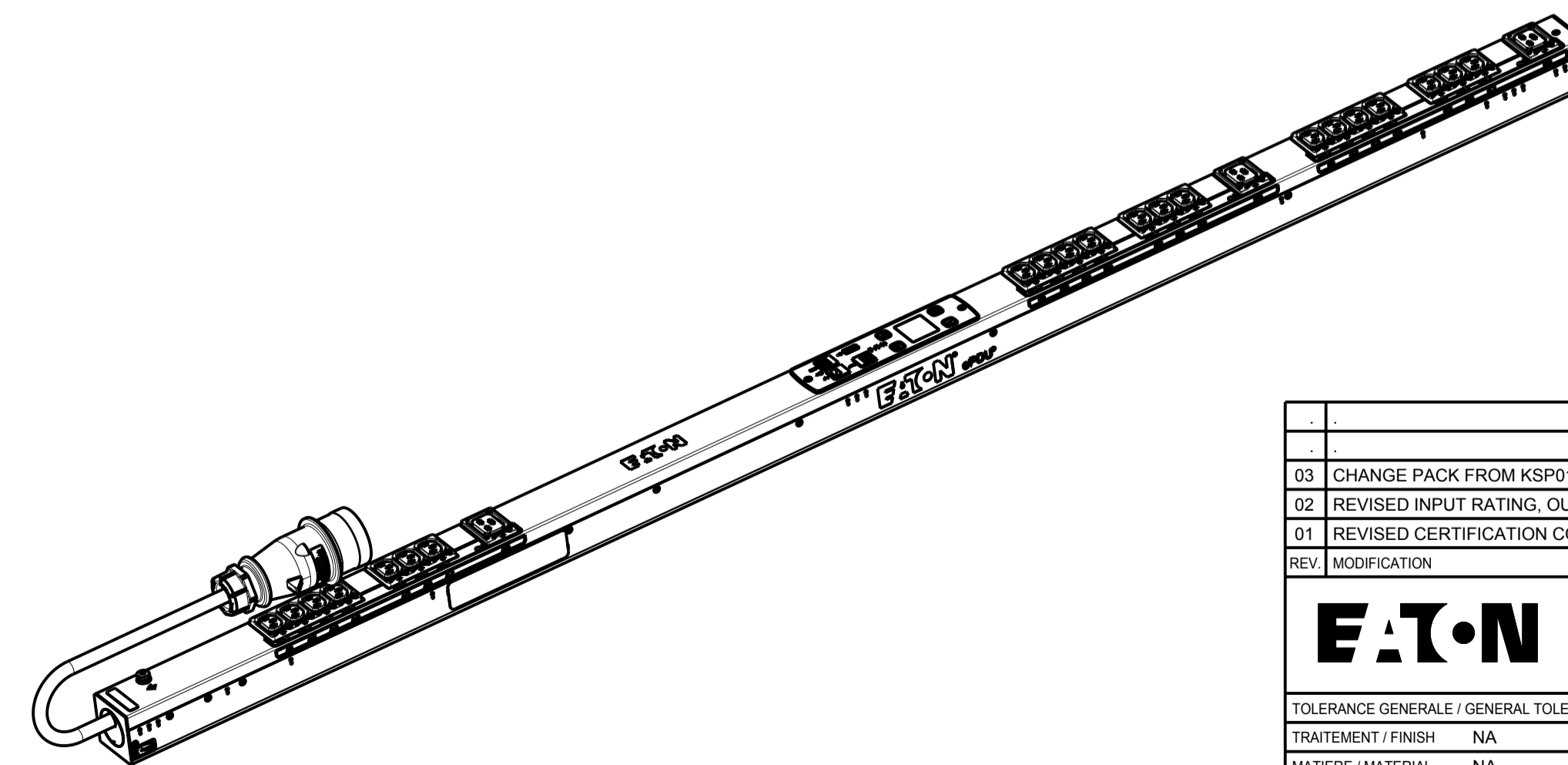
CABLE LENGTH SHOWN NOT TO SCALE

CIRCUIT SCHEMATIC



## EMAB20 G3+ MANAGED

FUNCTIONALITY	INPUT	OUTPUT	ENVIRONMENTAL
CURRENT POWER AND ENERGY METERING FOR INPUT, BRANCH AND OUTLETS. INDIVIDUAL OUTLET CONTROL	IEC 60309-2 16A 230/400V 3P+N+E 1.5MM HO7 POWER CORD CABLE LENGTH: 3.0M	(21) IEC 60320 C13 GRIP / P-LOCK (3) IEC 60320 C19 GRIP / P-LOCK	0 TO 60 °C
MECHANICAL	INPUT RATING	OUTPUT RATING	CERTIFICATIONS
LENGTH: 1604MM WIDTH: 52 MM DEPTH: 53MM ALUMINIUM CHASSIS, BLACK MNT PATTERN SK-23919-Y1	3Ø;346-415V~; WYE, 3W+N+PE 50/60HZ 16A	200-240V~;50/60HZ 10A PER C13;16A PER C19 16A MAX PER SECTION 16A MAX TOTAL	CE, CB
CIRCUIT BREAKERS	FILTER AND SPIKE/SURGE	ACCESSORIES	CONFIGURATION
NONE	NONE	STANDARD KSP025 - VEPDU G3 EMEA VERT INSTALL NETWORK PACK KA35 OPTIONAL EMPDT1H1C2 - ENVIRONMENTAL PROBE	EMA6DA8FAGE77CM



SCALE 0.188

03	CHANGE PACK FROM KSP015 TO KSP025	15.11.2017	AEK	M.B
02	REVISED INPUT RATING, OUTPUT RATING AND CERTIFICATION CODE..	22.01.2015	G.McD.	M.B.
01	REVISED CERTIFICATION CODE AND ACCESSORIES.	29.10.2014	G.McD.	M.B.
REV	MODIFICATION	DATE	DESIGNER	VERIF
		HEINEMANN PRODUCTS		VUE/VIEW
		CH-1345 LE LIEU SWITZERLAND		ECHELLE / SCALE
TOLERANCE GENERALE / GENERAL TOLERANCE		DATE		N° MAG
TRAITEMENT / FINISH		PAR / BY		EMAB20
MATIERE / MATERIAL		VERIFIE PAR / VERIFIED BY		11.08.2014
NIVEAU DU CERTIFICAT DE SOUMISSION REQUIS / SAMPLES APPROVAL PROCESS REPORT			DIMENSIONS AND TOLERANCES IN MILLIMETERS	
DESIGNATION		NUMERO DU PLAN		REV.
COTES A CONTROLER		COTES FONCTIONNELLES		
INSPECTION DIMENSIONS		FUNCTIONAL DIMENSIONS		
Ce document est propriété de Eaton Industries Manufacturing GmbH. Duplication interdite sans autorisation. This document is Eaton Industries Manufacturing GmbH property. Duplication forbidden without authorization.				