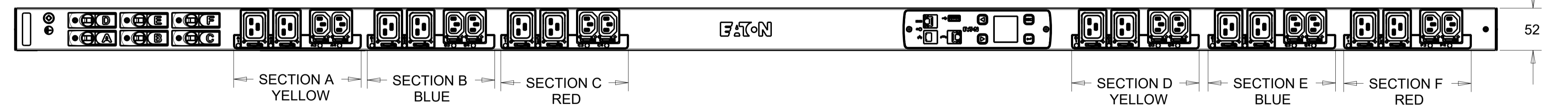
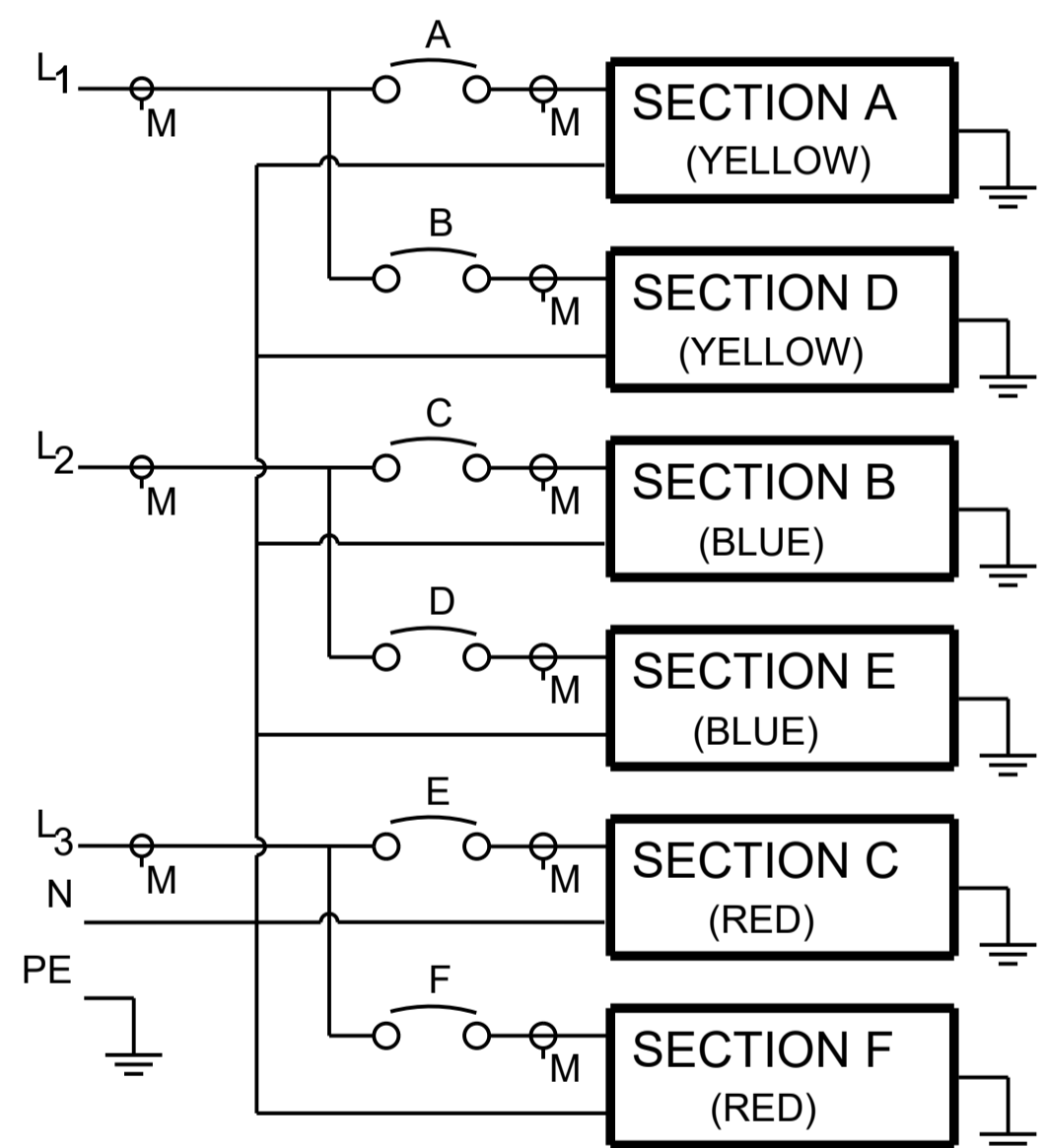


CABLE LENGTH SHOWN NOT TO SCALE

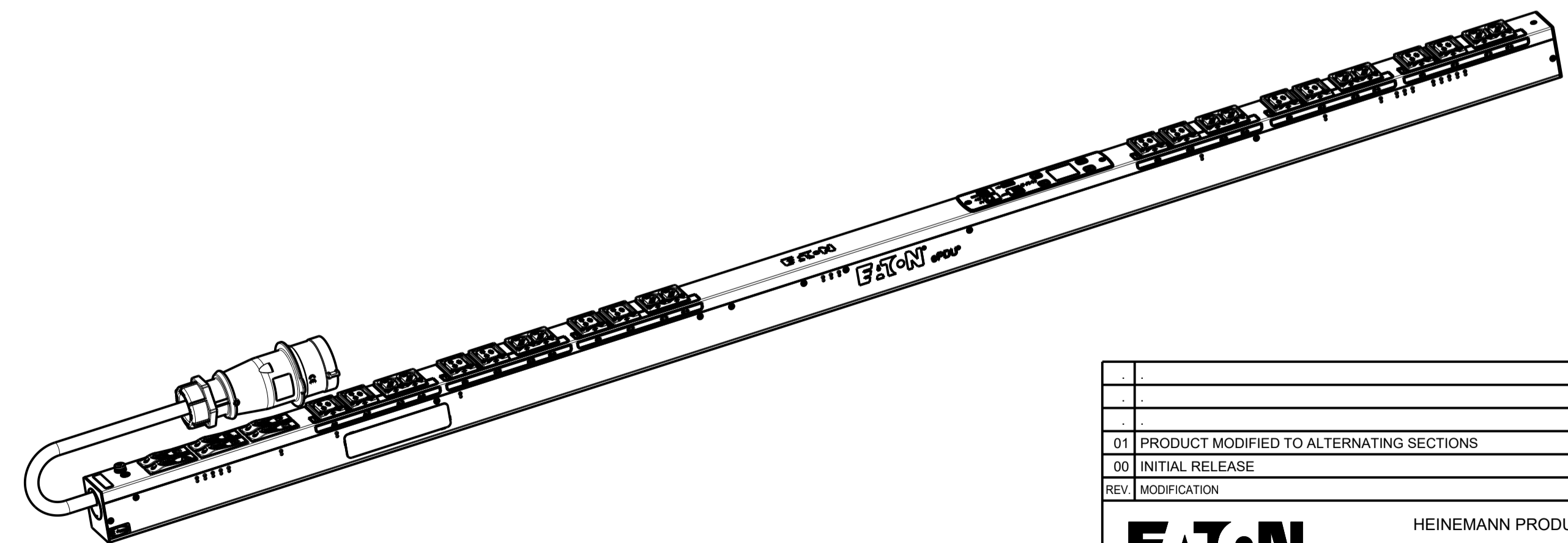


CIRCUIT SCHEMATIC



EMAB12 G3+ MANAGED

FUNCTIONALITY	INPUT	OUTPUT	ENVIRONMENTAL
CURRENT POWER AND ENERGY METERING FOR INPUT, BRANCH AND OUTLETS. INDIVIDUAL OUTLET CONTROL	IEC 60309-2 32A 400V~ WYE, 3W+N+PE 4.0MM HO7 POWER CORD CABLE LENGTH: 3.0M	(12) IEC 60320 C13 GRIP / P-LOCK (12) IEC 60320 C19 GRIP / P-LOCK ALTERNATING PHASES	0 TO 60 ° C
MECHANICAL	INPUT RATING	OUTPUT RATING	CERTIFICATIONS
LENGTH: 1829MM WIDTH: 52 MM DEPTH: 65MM ALUMINIUM CHASSIS, BLACK MNT PATTERN SK-23919-Y1	3Ø;346-415V~; WYE, 3W+N+PE 50/60HZ 32A	200-240V~;50/60HZ 10A PER C13;16A PER C19 16A MAX PER SECTION 32A MAX PER PHASE	CE, CB
CIRCUIT BREAKERS	FILTER AND SPIKE/SURGE	ACCESSORIES	CONFIGURATION
(6) 16A 1-POLE	NONE	STANDARD KSP025 - EPDU G3 EMEA VERT INSTALL NETWORK PACK KA35 OPTIONAL EMPDT1H1C2 - ENVIRONMENTAL PROBE	EMA6DH8FBJF8BCM



PICTORIAL VIEW
REFERENCE ONLY
SCALE 0.188

01 PRODUCT MODIFIED TO ALTERNATING SECTIONS		02.04.2019	AEK	MB
00 INITIAL RELEASE		09.11.2016	RA	M.B
REV	MODIFICATION	DATE	DESIGNER	VERIF
		HEINEMANN PRODUCTS		VUE/VIEW
		CH-1345 LE LIEU SWITZERLAND		ECHELLE / SCALE
TRAITEMENT / FINISH		NA	N° MAG	
MATIERE / MATERIAL		NA	EMAB12	
NIVEAU DU CERTIFICAT DE SOUMISSION REQUIS / SAMPLES APPROVAL PROCESS REPORT		X	DIMENSIONS AND TOLERANCES IN MILLIMETERS	
DESIGNATION		EPDU MA 0U (3Ø9 32A 3P)12XC13:12XC19	PAR / BY	RA
COTES A CONTROLER		XX.XX	NUMERO DU PLAN	
INSPECTION DIMENSIONS		COTES FONCTIONNELLES	PLAN NUMBER	
		# XX.XX	REV.	
Ce document est propriété de Eaton Industries Manufacturing GmbH. Duplication interdite sans autorisation. This document is Eaton Industries Manufacturing GmbH property. Duplication forbidden without authorization.				