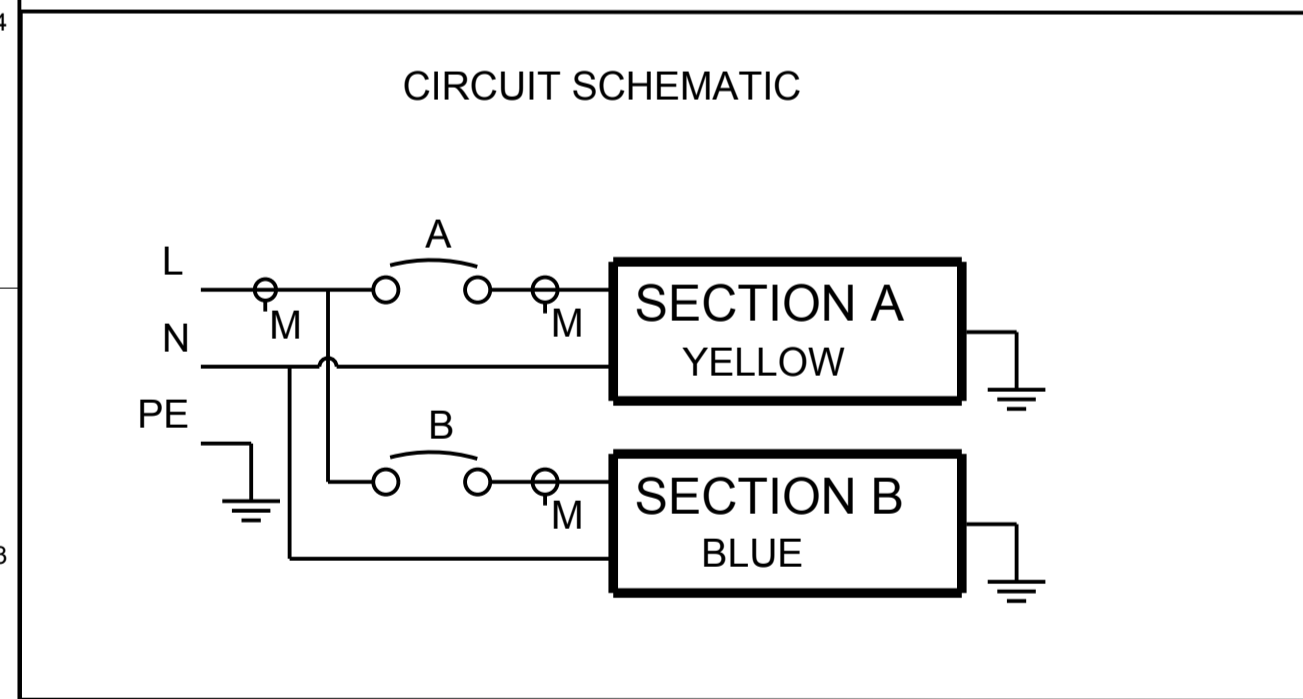
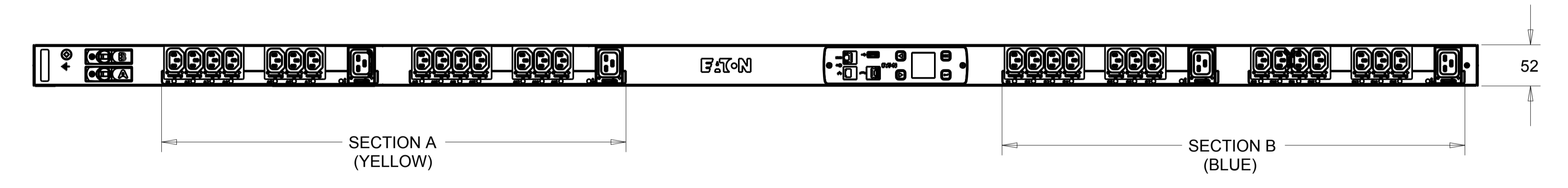
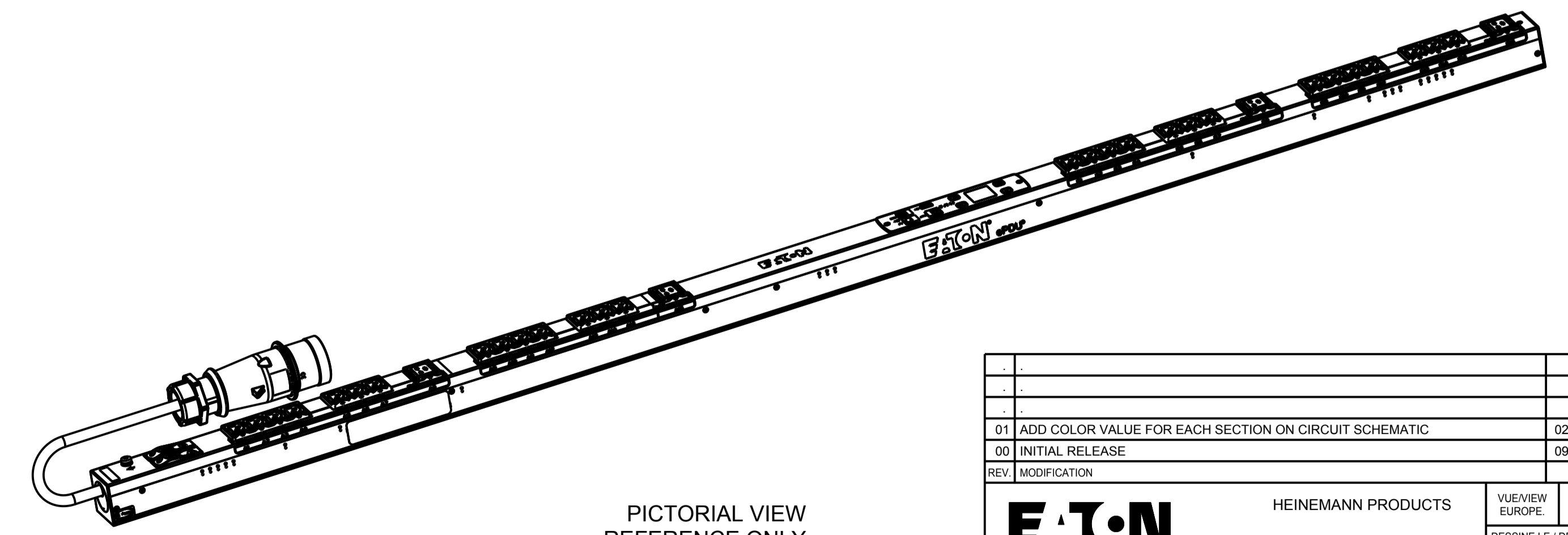


CABLE LENGTH SHOWN NOT TO SCALE



EMAB71		G3+ MANAGED	
FUNCTIONALITY	INPUT	OUTPUT	ENVIRONMENTAL
CURRENT POWER AND ENERGY METERING FOR INPUT, BRANCH AND OUTLETS. INDIVIDUAL OUTLET CONTROL	IEC 60309-2 32A 230V~ W+N+PE 4.0MM HO7 POWER CORD CABLE LENGTH: 3.0M	(28) IEC 60320 C13 GRIP / P-LOCK (4) IEC 60320 C19 GRIP / P-LOCK	0 TO 60° C
MECHANICAL	INPUT RATING	OUTPUT RATING	CERTIFICATIONS
LENGTH: 1829MM WIDTH: 52 MM DEPTH: 53MM ALUMINIUM CHASSIS, BLACK MNT PATTERN SK-23919-Y1	1Ø: 200-240V~;W+N+PE 50/60HZ 32A	200-240V~;50/60HZ 10A PER C13;16A PER C19 16A MAX PER SECTION 32A MAX TOTAL	CE, CB
CIRCUIT BREAKERS	FILTER AND SPIKE/SURGE	ACCESSORIES	CONFIGURATION
(2) 16A 1-POLE	NONE	STANDARD KSP025 - VERT INSTALLATION AND NETWORK PACK KA35 OPTIONAL EMPDT1H1C2 - ENVIRONMENTAL PROBE	EMA6CH8FBDW7BAM



PICTORIAL VIEW
REFERENCE ONLY
SCALE 0.200

01 ADD COLOR VALUE FOR EACH SECTION ON CIRCUIT SCHEMATIC		02.05.2017	VV	MB
00 INITIAL RELEASE		09.03.2017	VV	MB
REV	MODIFICATION	DATE	DESIGNER	VERIF
EATON HEINEMANN PRODUCTS		VUE/VIEW EUROPE	ECHELLE / SCALE 1/4	N° MAG EMAB71
CH-1345 LE LIEU SWITZERLAND		DESSEINE LE / DRAWN THE	09.03.2017	
TRAITEMENT / FINISH NA		PAR / BY	VV	
MATERIE / MATERIAL NA		VERIFIE PAR / VERIFIED BY	MB	
NIVEAU DU CERTIFICAT DE SOUMISSION REQUIS / SAMPLES APPROVAL PROCESS REPORT X		DIMENSIONS AND TOLERANCES IN MILLIMETERS		
DESIGNATION	EPDU MA 0U (309 32A 1P)28XC13:4XC19	SK-100019-Y1	01	
COTES A CONTROLER / INSPECTION DIMENSIONS	XX.XX	COTES FONCTIONNELLES / FUNCTIONAL DIMENSIONS	# XX.XX	NUMERO DU PLAN / PLAN NUMBER
Ce document est propriété de Eaton Industries Manufacturing GmbH. Duplication interdite sans autorisation. This document is Eaton Industries Manufacturing GmbH property. Duplication forbidden without authorization.				