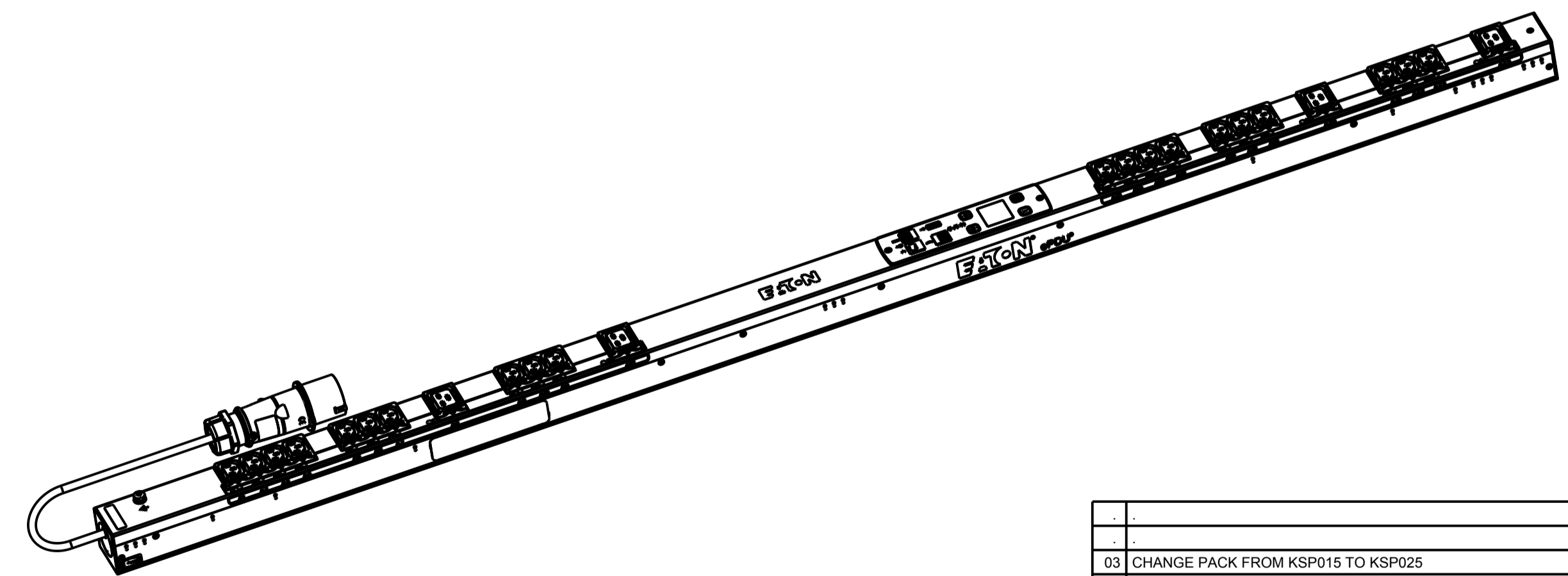
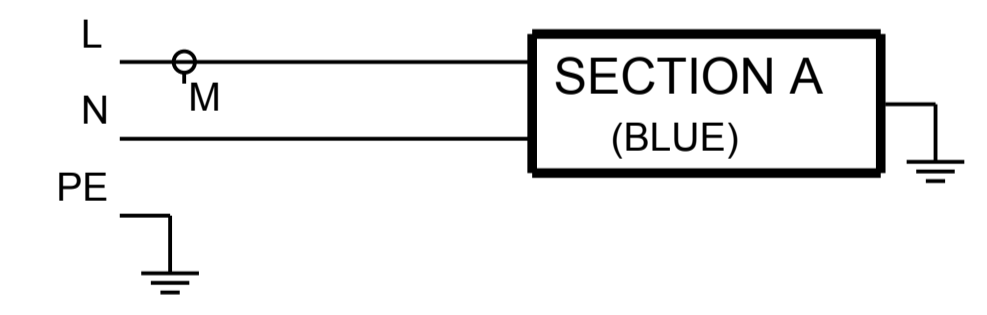


CABLE LENGTH SHOWN NOT TO SCALE



SECTION A  
BLUE

CIRCUIT SCHEMATIC



SCALE 0.200

EMAB04		G3+ MANAGED	
FUNCTIONALITY	INPUT	OUTPUT	ENVIRONMENTAL
CURRENT POWER AND ENERGY METERING FOR INPUT AND BRANCH AND OUTLETS. INDIVIDUAL OUTLET CONTROL	IEC 60309-2 16A 230V~ W+N+PE 1.5MM HO5 POWER CORD CABLE LENGTH: 3.0 M	(20) IEC 60320 C13 GRIP / P-LOCK (4) IEC 60320 C19 GRIP / P-LOCK	0 TO 60° C
MECHANICAL	INPUT RATING	OUTPUT RATING	CERTIFICATIONS
LENGTH: 1604MM WIDTH: 52 MM DEPTH: 53MM ALUMINIUM CHASSIS, BLACK MNT PATTERN SK-23919-Y1	1Ø; 200-240V~;W+N+PE 50/60HZ 16A	200-240V~;50/60HZ 10A PER C13;16A PER C19 16A MAX TOTAL	CE, CB
CIRCUIT BREAKERS	FILTER AND SPIKE/SURGE	ACCESSORIES	CONFIGURATION
NONE	NONE	STANDARD KSP025 - VERT INSTALLATION AND NETWORK PACK KA35 OPTIONAL EMPDT1H1C2 - ENVIRONMENTAL PROBE	EMA6CE7FABH77AM

03	CHANGE PACK FROM KSP015 TO KSP025	09.06.2017	VV	MB
02	REVISED TEMPERATURE RATING OF CERTIFICATION.	05.02.2015	G.McD.	M.B.
01	REVISED TECHNOLOGY TYPE, CERTIFICATION CODE AND FUNCTIONALITY.	28.10.2014	G.McD.	M.B.
REV	MODIFICATION	DATE	DESIGNER	VERIF
<b>EATON</b>		HEINEMANN PRODUCTS		VUE/VIEW EUROPE: 4/10
CH-1345 LE LIEU SWITZERLAND		DESIGNED BY / DRAWN THE PAR / BY G.McD.		N° MAG EMAB04
TOLERANCE GENERALE / GENERAL TOLERANCE		VERIFIE PAR / VERIFIED BY M.B.		
TRAITEMENT / FINISH NA		NIVEAU DU CERTIFICAT DE SOUMISSION REQUIS / SAMPLES APPROVAL PROCESS REPORT		X
MATIERE / MATERIAL NA		DIMENSIONS AND TOLERANCES IN MILLIMETERS		
DESIGNATION EPDU MA 0U (309 16A 1P)20XC13:4XC19		NUMERO DU PLAN PLAN NUMBER		03
COTES A CONTROLER INSPECTION DIMENSIONS		COTES FONCTIONNELLES FUNCTIONAL DIMENSIONS		# XX.XX
Ce document est propriété de Eaton Industries Manufacturing GmbH. Duplication interdite sans autorisation. This document is Eaton Industries Manufacturing GmbH property. Duplication forbidden without authorization.				