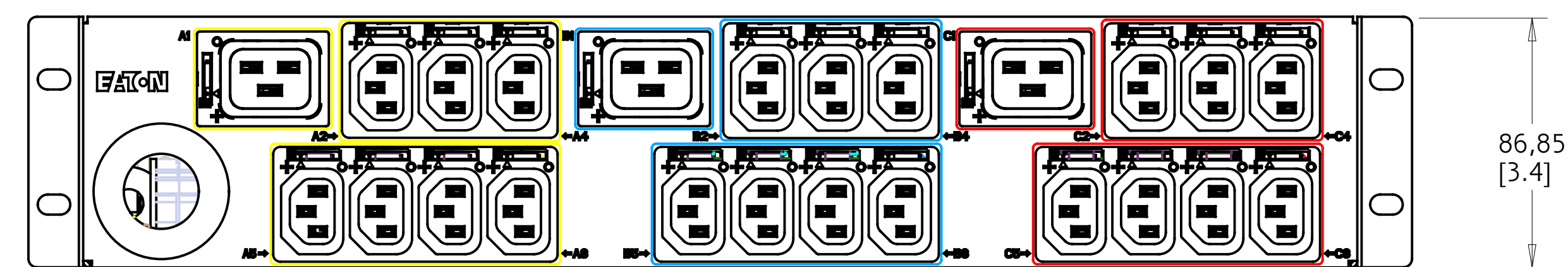
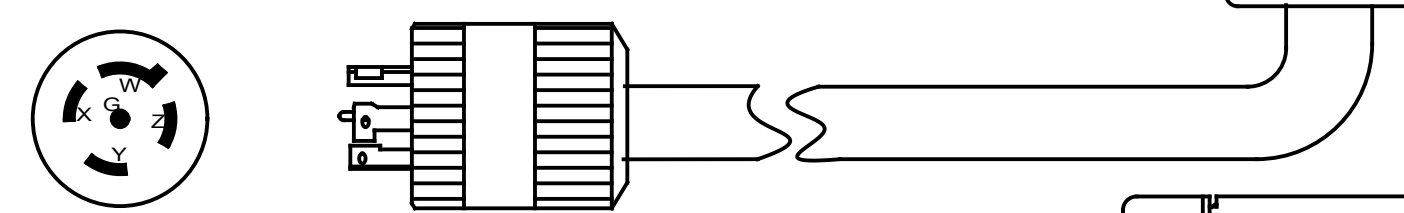
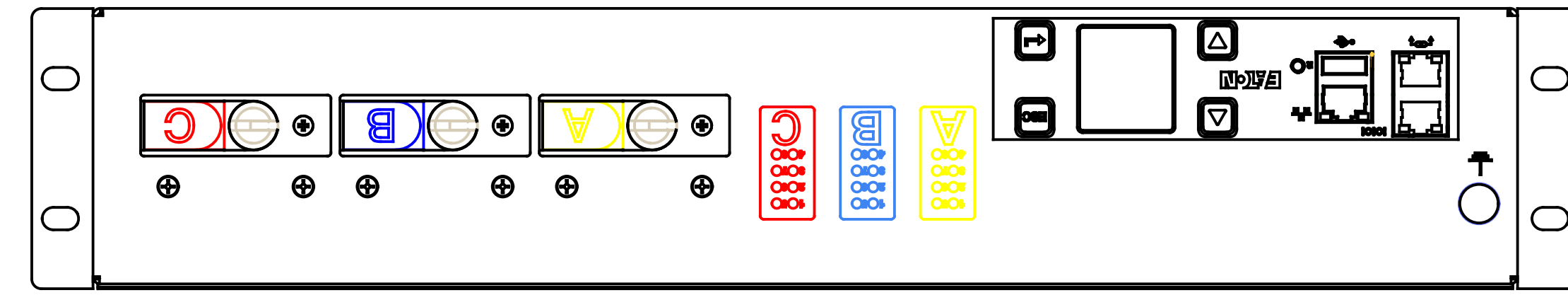
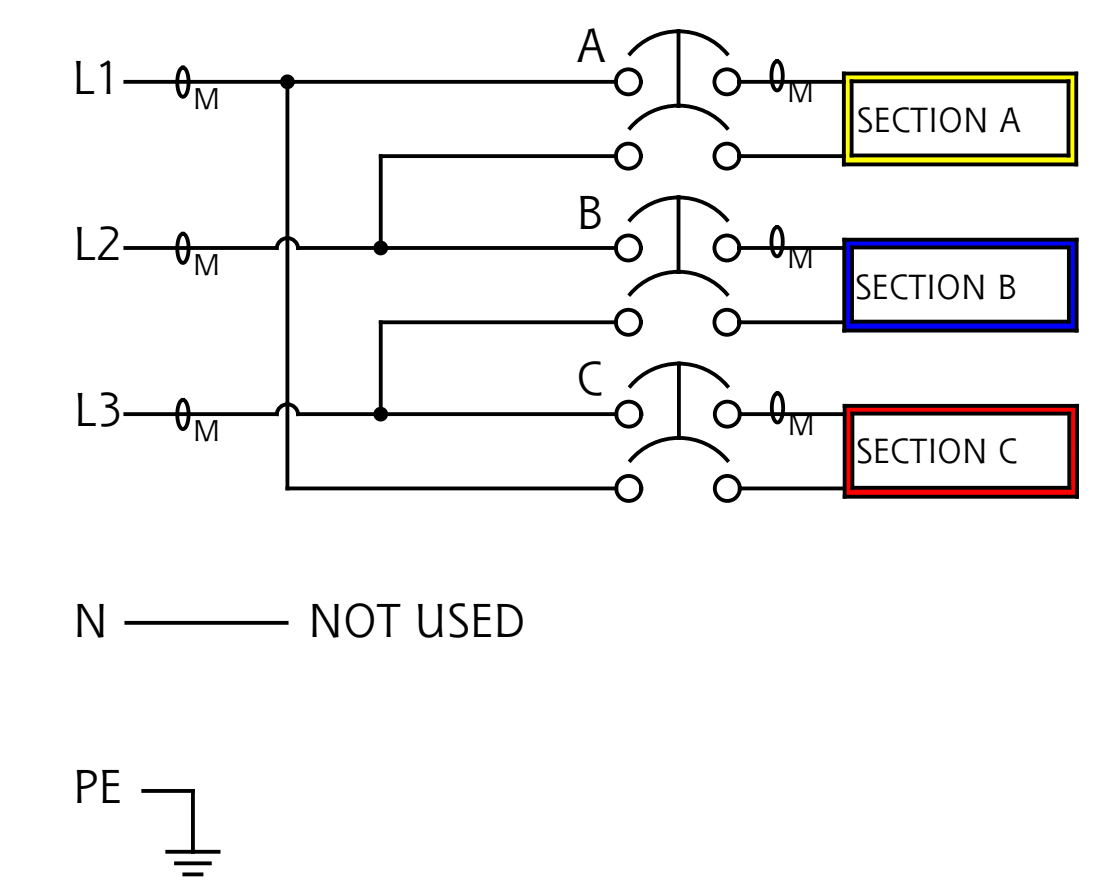


REV	ECO #	DESCRIPTION	DR	CK	AP	DATE
01	191901	ENGINEERING RELEASE	RS			25 AUG 20



EMAU37-10 G3 MANAGED

FUNCTIONALITY	INPUT	OUTPUT	ENVIRONMENTAL
CURRENT, POWER AND ENERGY METERING FOR INPUT, BRANCH AND OUTLET; OUTLET SWITCHING	NEMA L21-20 PLUG 10FT 12AWG / 5C POWERCORD	(21) IEC 60320 C13 GRIP (3) IEC 60320 C19 GRIP	32° TO 140° F 0° TO 60° C
MECHANICAL	INPUT RATING	OUTPUT RATING	CERTIFICATIONS
3.44" (87.37mm) HEIGHT 19.00" (482.7mm) WIDTH 11.80" (300mm) DEPTH STEEL CHASSIS, BLACK	120/208V ~ WYE 3W + N + PE 16A 50/60HZ	208V ~ ; 10A PER C13, 16A PER C19 16A MAX PER SECTION 16A MAX PER PHASE	
CIRCUIT BREAKERS	FILTER AND SPIKE/SURGE	ACCESSORIES	CONFIGURATION
(3) 20A 2-POLE UL LISTED	NONE	INCLUDED SPK021 - INSTALLATION INCLUDED SPK013 - NETWORK OPTIONAL EMP001 - ENVIRONMENTAL PROBE	EMA6PBD5JGE27A1 SERIAL NUMBER B684 _____



METRIC		EATON CORPORATION, ELECTRICAL		SIZE D
DESCRIPTION: EPDU G3 SPECIFICATION FOR EMAU37-10				
MODIFIED BY: R. SIEGFRIED	DATE: 25 AUG 20	UNLESS OTHERWISE SPECIFIED TOLERANCES ON DIMENSIONS ARE: ANGLES: ±1/2° DECIMALS: 0.X: ±0.25 X, (FOR X < 3): ±1 HOLES: ±0.13 O.D.: ±0.25 X (FOR X > 3): ±2.5 DIMENSIONS ARE IN MILLIMETERS (INCHES) AND AFTER PLATING		SCALE: 0.600 DO NOT SCALE DRAWING OR CHANGE MANUALLY
ECO: 191901	STATE: RELEASED	PART NAME: EMA6PBD5JGE27A1		REVISION: 01 SHEET: 1 of 1
PRO-ENGINEER GENERATED				
EATON CORPORATION - CONFIDENTIAL AND PROPRIETARY NOTICE TO PERSONS RECEIVING THIS DOCUMENT AND/OR TECHNICAL INFORMATION THIS DOCUMENT, INCLUDING THE DRAWING AND INFORMATION CONTAINED THEREON, IS CONFIDENTIAL AND IS THE EXCLUSIVE PROPERTY OF EATON CORPORATION AND IS HEREBY ON LOAN AND SUBJECT TO RECALL BY EATON AT ANY TIME. BY TAKING POSSESSION OF THIS DOCUMENT, THE RECIPIENT ACKNOWLEDGES AND AGREES THAT THIS DOCUMENT CANNOT BE USED IN ANY MANNER ADVERSE TO THE INTERESTS OF EATON, AND THAT NO PORTION OF THIS DOCUMENT MAY BE COPIED OR OTHERWISE REPRODUCED WITHOUT THE PRIOR WRITTEN CONSENT OF EATON. IN THE CASE OF CONFLICTING CONTRACTUAL PROVISIONS, THIS NOTICE SHALL GOVERN THE STATUS OF THIS DOCUMENT. © 2008 Eaton Corporation - All Rights Reserved.				