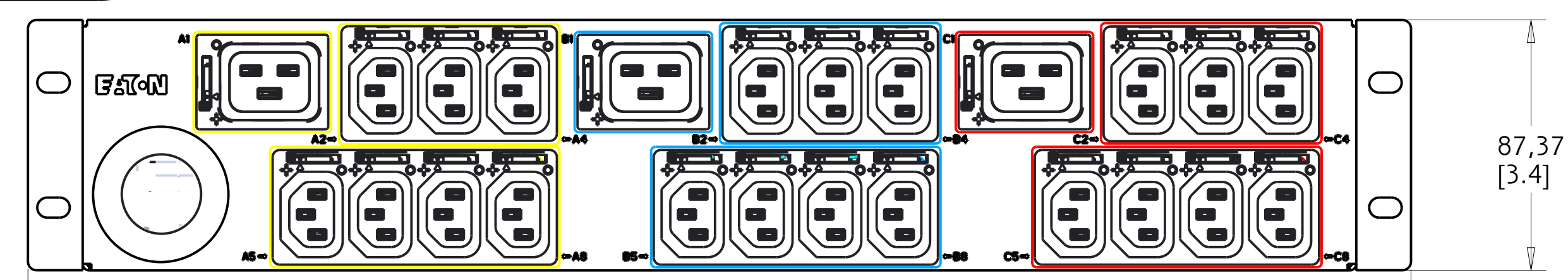
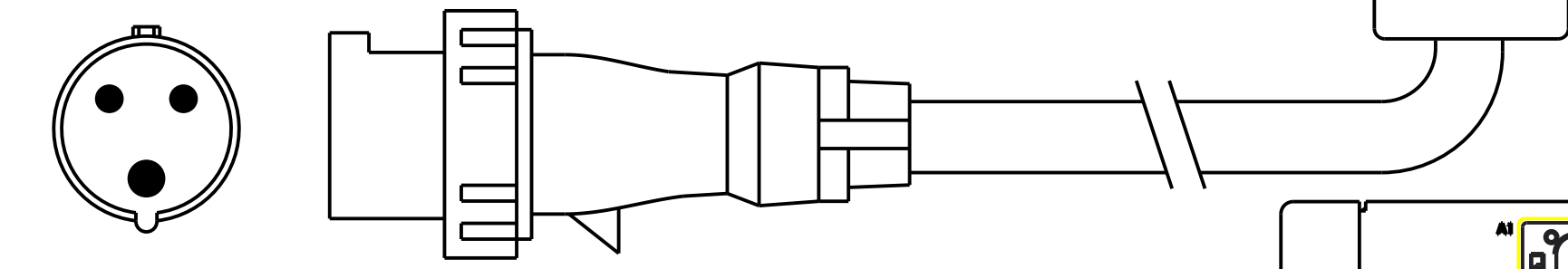
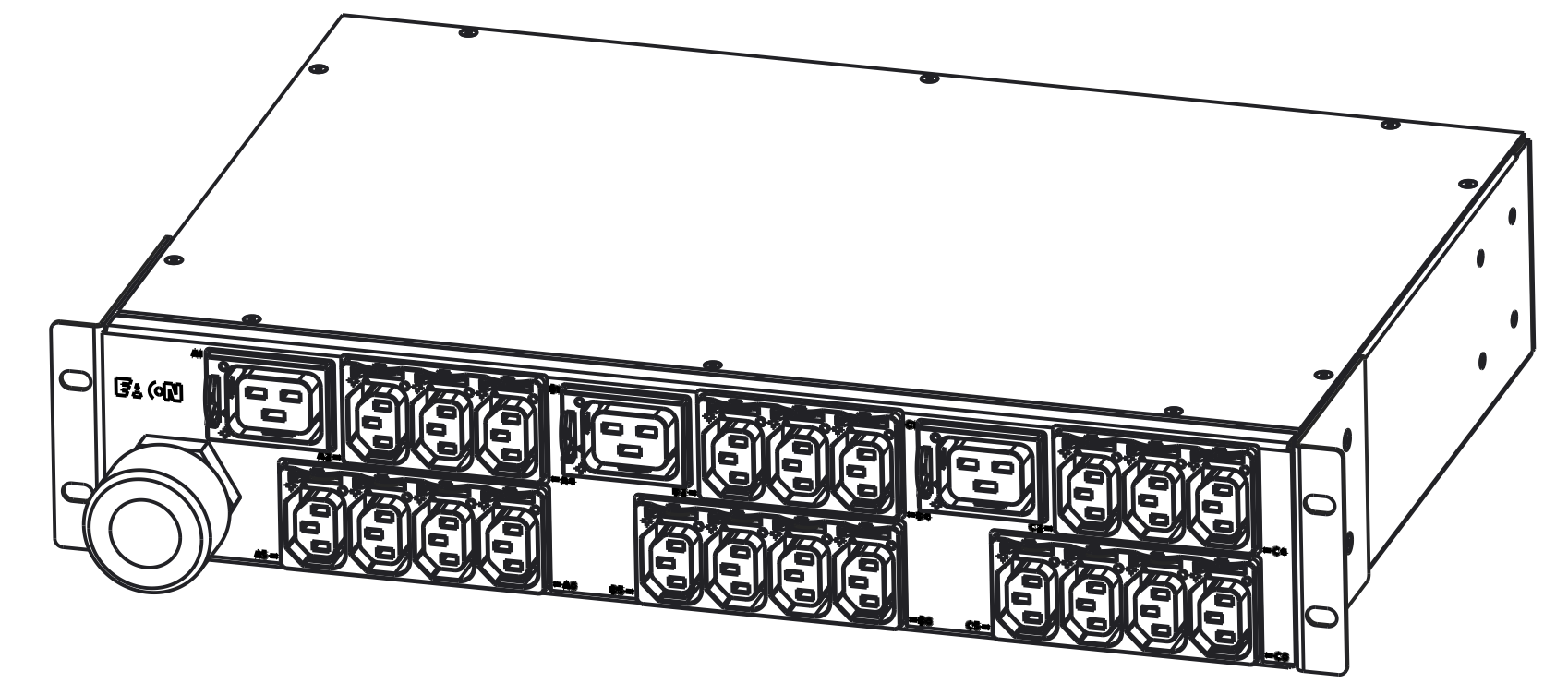
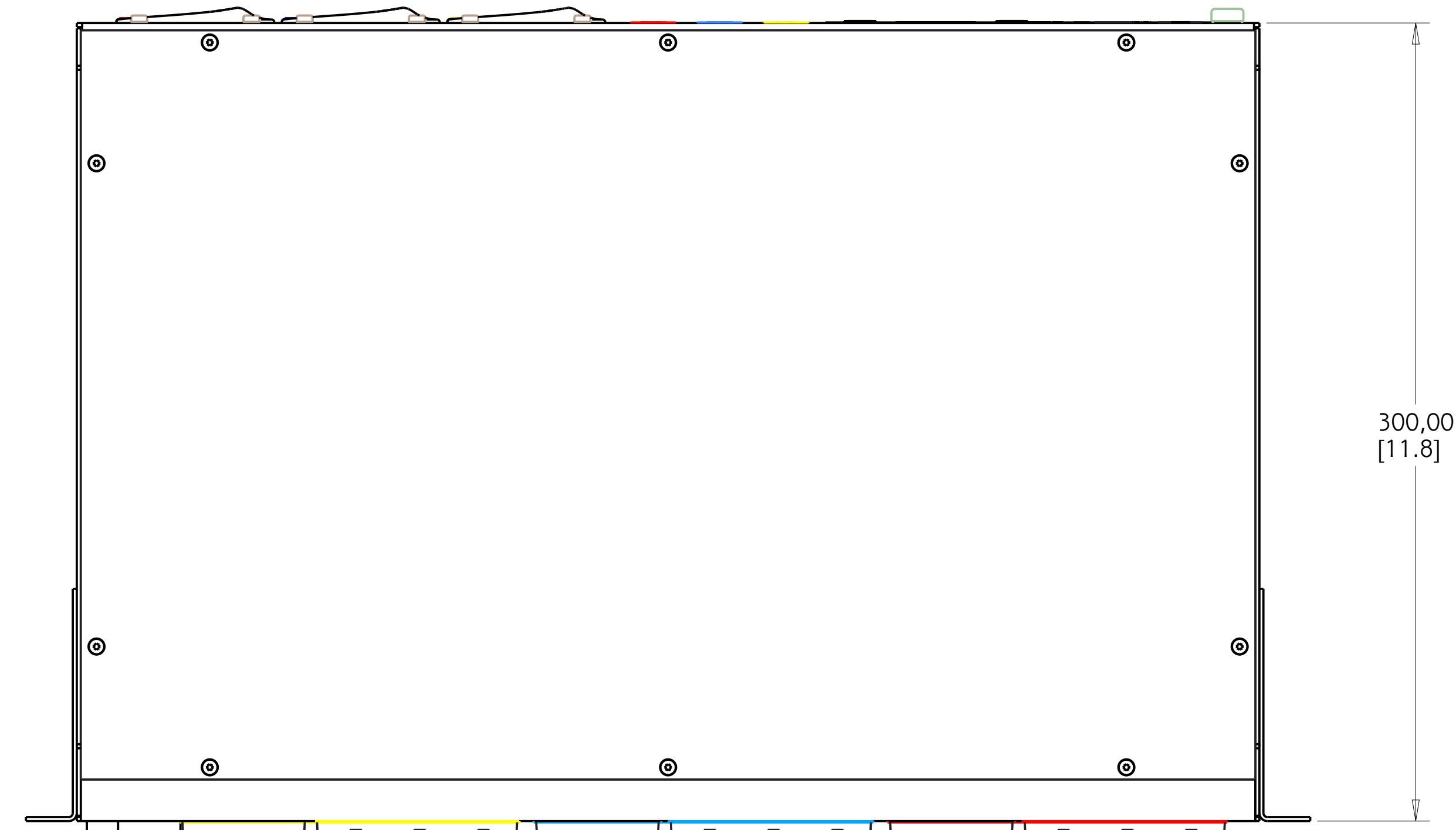
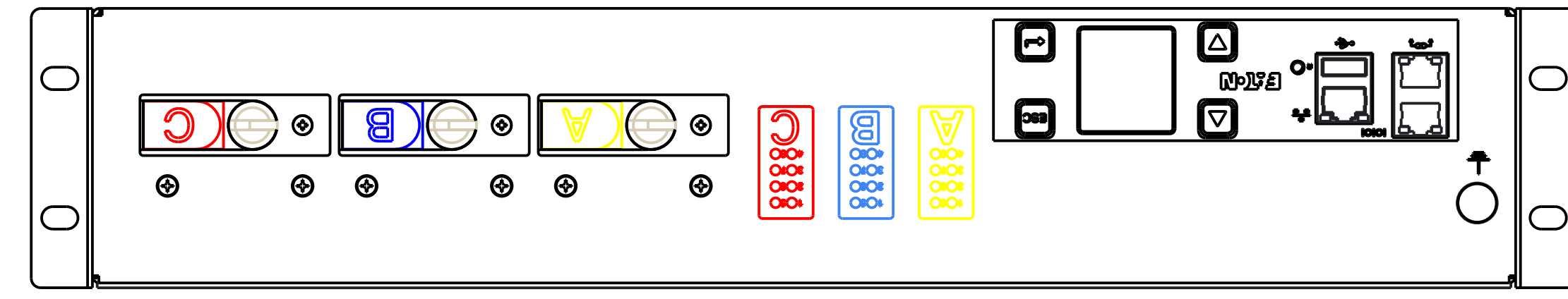
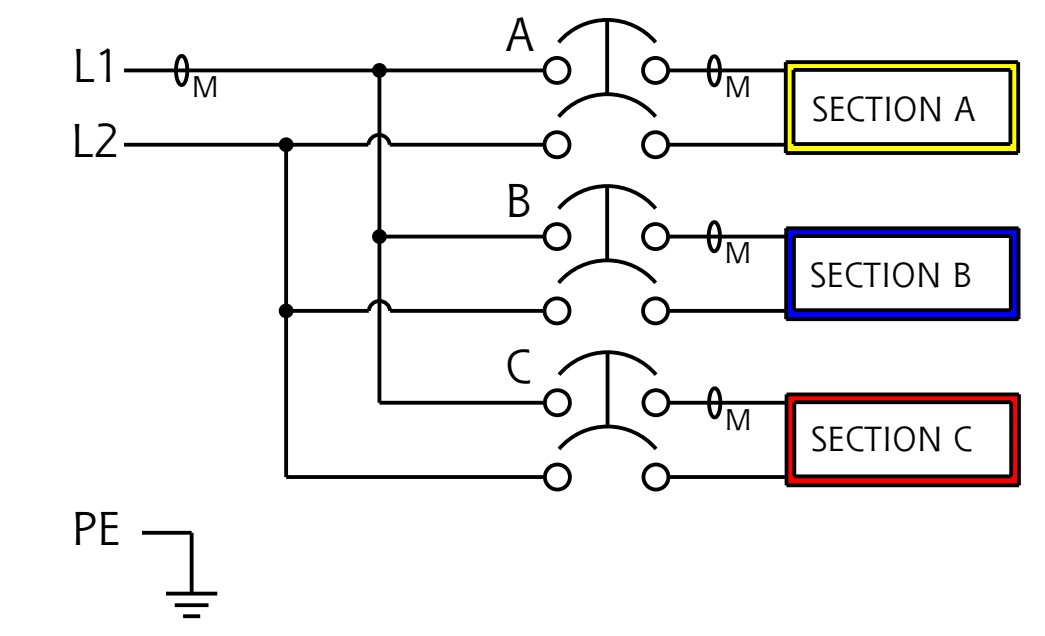


REV	ECO No.	REVISION	DR	CK	AP	AP	DATE



# EMAU25-10 G3 MANAGED

FUNCTIONALITY	INPUT	OUTPUT	ENVIRONMENTAL
CURRENT, POWER AND ENERGY METERING FOR INPUT, BRANCH AND OUTLET; OUTLET SWITCHING	IEC 60309 332P6W PLUG 9AWG / 3C & 3x6.00mm 10FT POWERCORD	(21) IEC 60320 C13 GRIP (3) IEC 60320 C19 GRIP	UL: 32° TO 140° F (0° TO 60° C) CE/DEMKO: 32° TO 131° F (0° TO 55° C)
MECHANICAL	INPUT RATING	OUTPUT RATING	CERTIFICATIONS
3.44" (87.37mm) HEIGHT 19.00" (482.7mm) WIDTH 11.80" (300mm) DEPTH STEEL CHASSIS, BLACK	200-240V ~ 2W + PE UL (W + N + PE CE & DEMKO) 24A UL, (32A CE & DEMKO) 50/60HZ	200-240V ~ ; 10A PER C13 16A PER C19 16A MAX PER SECTION 24A UL, 32A (CE & DEMKO) MAX TOTAL	
CIRCUIT BREAKERS	FILTER AND SPIKE/SURGE	ACCESSORIES	CONFIGURATION
(3) 20A 2-POLE UL LISTED	NONE	INCLUDED SPK021 - INSTALLATION INCLUDED SPK013 - NETWORK OPTIONAL EMP001 - ENVIRONMENTAL PROBE	EMA6CJK5JGE27F1 SERIAL NUMBER B684 _____



METRIC	THIRD ANGLE PROJECTION	EATON CORPORATION, ELECTRICAL		SIZE D
DESCRIPTION: EPDU G3 SPECIFICATION FOR EMAU25-10				
MODIFIED BY: J. OSBORNE	DATE: 29 JAN 2019	UNLESS OTHERWISE SPECIFIED TOLERANCES ON DIMENSIONS ARE: ANGLES: ±1/2°    DECIMALS: 0.X: ±0.75 X, (FOR X < 3): ±1 HOLES: ±0.13    0.XX: ±0.25 X, (FOR X > 3): ±2.5 DIMENSIONS ARE IN MILLIMETERS (INCHES) AND AFTER PLATING		SCALE: 0.600 DO NOT SCALE DRAWING OR CHANGE MANUALLY
ECO: *****	STATE: RELEASED	PART NAME: EMA6CJK5JGE27F1		REVISION: 01
PRO-ENGINEER GENERATED		PART NAME: EMA6CJK5JGE27F1		SHEET: 1 of 1
EATON CORPORATION - CONFIDENTIAL AND PROPRIETARY NOTICE TO PERSONS RECEIVING THIS DOCUMENT AND/OR TECHNICAL INFORMATION THIS DOCUMENT, INCLUDING THE DRAWING AND INFORMATION CONTAINED THEREIN, IS CONFIDENTIAL AND IS THE EXCLUSIVE PROPERTY OF EATON CORPORATION AND IS SUBJECT TO RECALL BY EATON AT ANY TIME. BY TAKING POSSESSION OF THIS DOCUMENT, THE RECIENT ACKNOWLEDGES AND AGREES THAT THIS DOCUMENT CANNOT BE USED IN ANY MANNER ADVERSE TO THE INTERESTS OF EATON, AND THAT NO PORTION OF THIS DOCUMENT MAY BE COPIED OR OTHERWISE REPRODUCED WITHOUT THE PRIOR WRITTEN CONSENT OF EATON. IN THE CASE OF CONFLICTING CONTRACTUAL PROVISIONS, THIS NOTICE SHALL GOVERN THE STATUS OF THIS DOCUMENT. © 2008 Eaton Corporation - All Rights Reserved.				