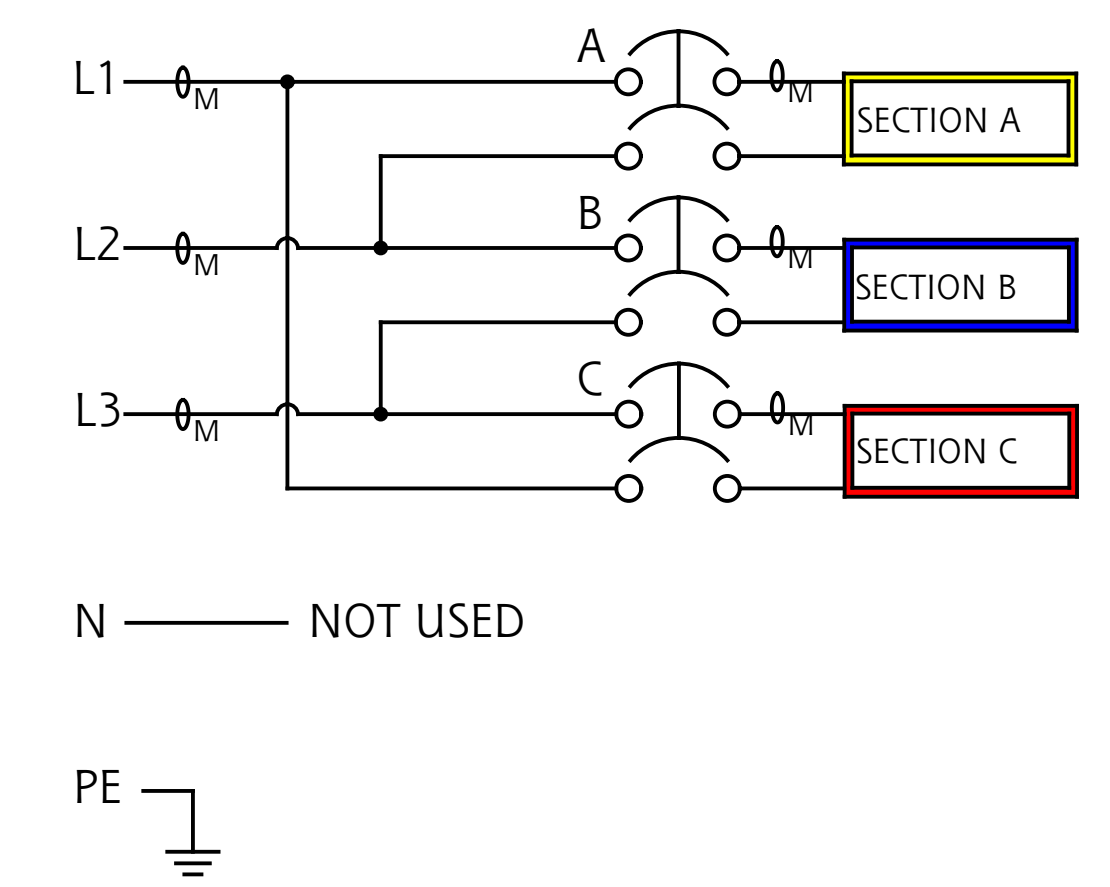


# EMAU19-15 G3 MANAGED

<b>FUNCTIONALITY</b> CURRENT, POWER AND ENERGY METERING FOR INPUT, BRANCH AND OUTLET; OUTLET SWITCHING	<b>INPUT</b> NEMA L21-30 PLUG 15FT 10AWG / 5C POWERCORD	<b>OUTPUT</b> (24) IEC 60320 C13 GRIP	<b>ENVIRONMENTAL</b> 32° TO 140° F 0° TO 60° C
<b>MECHANICAL</b> 3.44" (87.37mm) HEIGHT 19.00" (482.7mm) WIDTH 11.80" (300mm) DEPTH STEEL CHASSIS, BLACK	<b>INPUT RATING</b> 120/208V ~ WYE 3W + N + PE 24A 50/60HZ	<b>OUTPUT RATING</b> 200-240V ~ ; 10A PER C13 16A MAX PER SECTION 24A MAX PER PHASE	<b>CERTIFICATIONS</b> 
<b>CIRCUIT BREAKERS</b> (3) 20A 2-POLE UL LISTED	<b>FILTER AND SPIKE/SURGE</b> NONE	<b>ACCESSORIES</b> INCLUDED SPK021 - INSTALLATION INCLUDED SPK013 - NETWORK OPTIONAL EMPO01 - ENVIRONMENTAL PROBE	<b>CONFIGURATION</b> EMA6PD17JGS27A1 SERIAL NUMBER B684 _____



METRIC	THIRD ANGLE PROJECTION	EATON CORPORATION, ELECTRICAL		SIZE D
DESCRIPTION: EPDU G3 SPECIFICATION FOR EMAU19-15				
MODIFIED BY: R. SIEGFRIED	DATE: 22 MAR 2021	UNLESS OTHERWISE SPECIFIED TOLERANCES ON DIMENSIONS ARE: ANGLES: ±10°    DECIMALS: 0.X: ±0.25    X (FOR X < 3): ±1		SCALE: 0.600
ECO: 0202606	STATE: RELEASED	DIMENSIONS ARE IN MILLIMETERS (INCHES) AND AFTER PLATING		DO NOT SCALE DRAWING OR CHANGE MANUALLY
PRO-ENGINEER GENERATED	PART NAME: EMA6PD17JGS27A1	REVISION: 01	SHEET: 1 of 1	
<small>EATON CORPORATION - CONFIDENTIAL AND PROPRIETARY NOTICE TO PERSONS RECEIVING THIS DOCUMENT AND/OR TECHNICAL INFORMATION THIS DOCUMENT, INCLUDING THE DRAWING AND INFORMATION CONTAINED THEREON, IS CONFIDENTIAL AND IS THE EXCLUSIVE PROPERTY OF EATON CORPORATION AND IS HEREBY ON LOAN AND SUBJECT TO RECALL BY EATON AT ANY TIME. BY TAKING POSSESSION OF THIS DOCUMENT, THE RECIPIENT ACKNOWLEDGES AND AGREES THAT THIS DOCUMENT CANNOT BE USED IN ANY MANNER ADVERSE TO THE INTERESTS OF EATON, AND THAT NO PORTION OF THIS DOCUMENT MAY BE COPIED OR OTHERWISE REPRODUCED WITHOUT THE PRIOR WRITTEN CONSENT OF EATON. IN THE CASE OF CONFLICTING CONTRACTUAL PROVISIONS, THIS NOTICE SHALL GOVERN THE STATUS OF THIS DOCUMENT. © 2008 Eaton Corporation - All Rights Reserved.</small>				