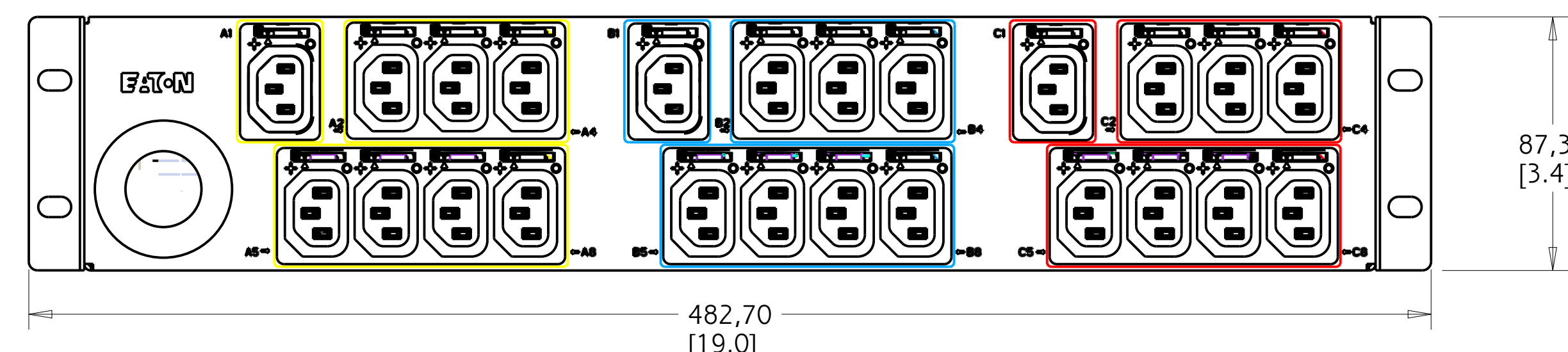
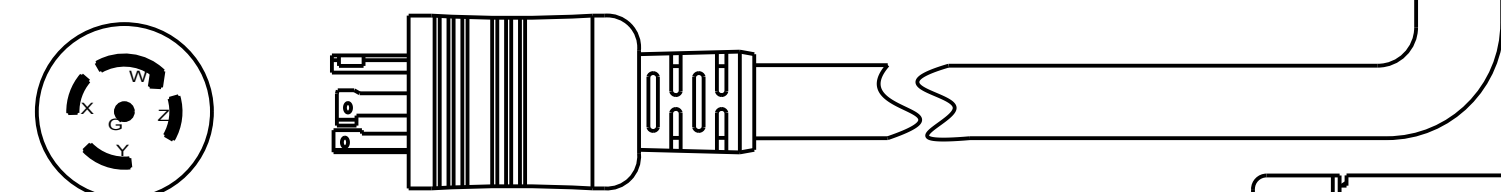
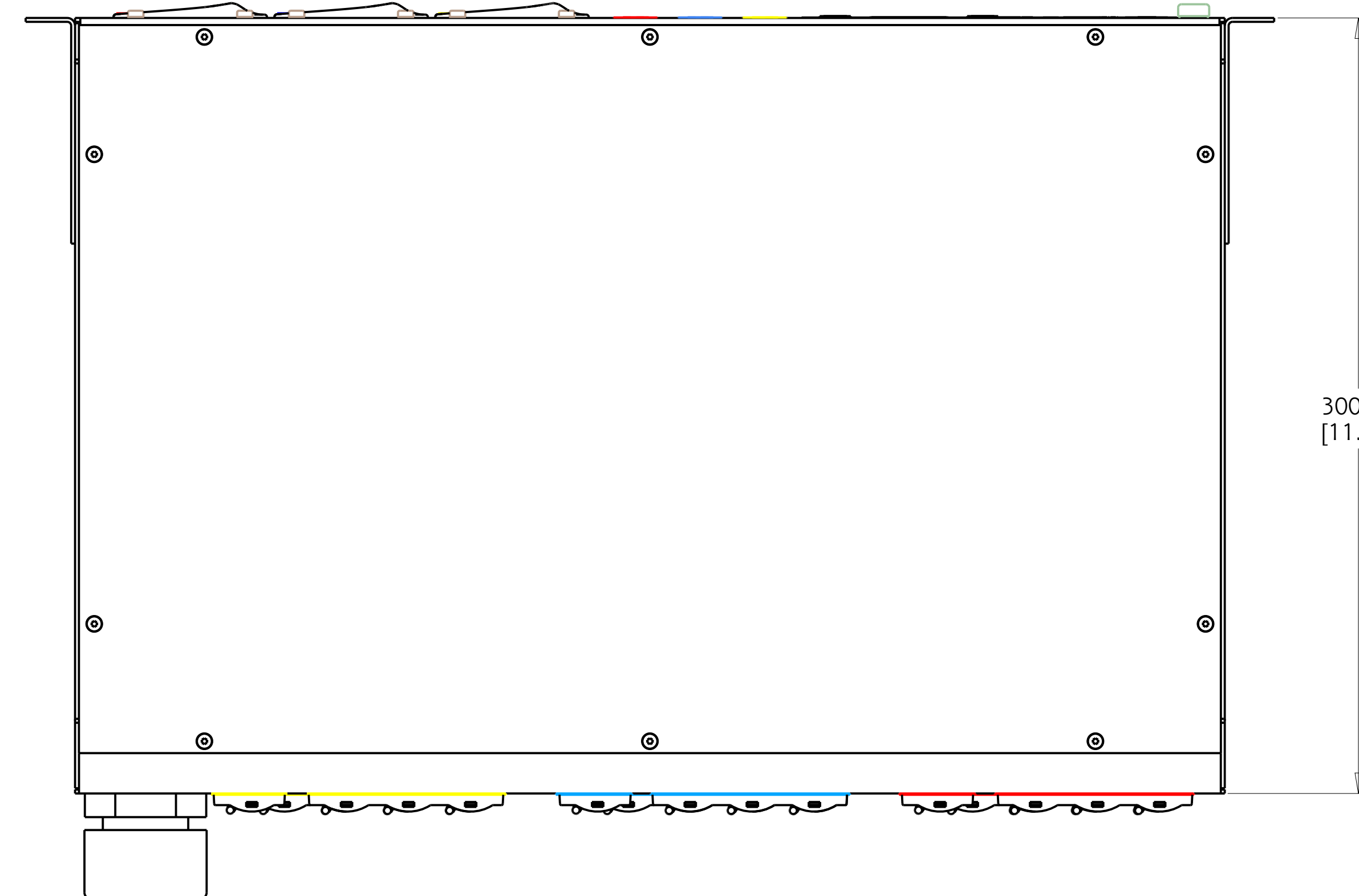
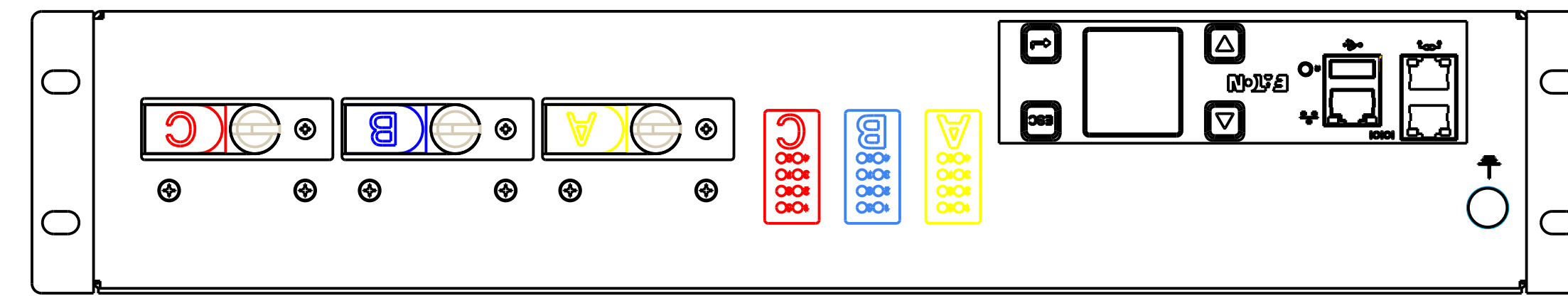
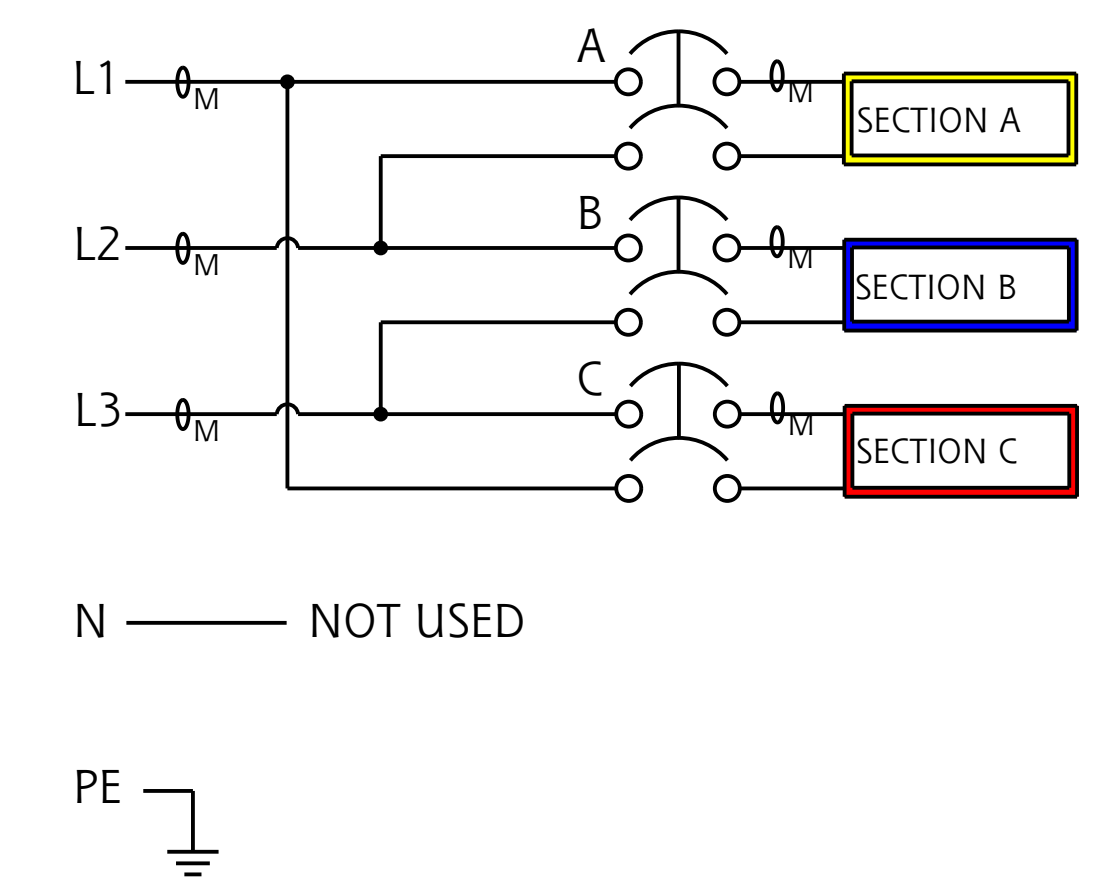


REV	ECO No.	REVISION	DR	CK	AP	DATE
001	105406	RELEASED	J.O.			8 JULY 16
002	108207	UPDATED VIEW	R.S.			31 AUG 16
003	108429	ADDED UL MARKER	L.L.			07 SEPT 16



EMAU19-10 G3 MANAGED

FUNCTIONALITY	INPUT	OUTPUT	ENVIRONMENTAL
CURRENT, POWER AND ENERGY METERING FOR INPUT, BRANCH AND OUTLET; OUTLET SWITCHING	NEMA L21-30 PLUG 10FT 10AWG / 5C POWERCORD	(24) IEC 60320 C13 GRIP	32° TO 140° F 0° TO 60° C
MECHANICAL	INPUT RATING	OUTPUT RATING	CERTIFICATIONS
3.44" (87.37mm) HEIGHT 19.00" (482.7mm) WIDTH 11.80" (300mm) DEPTH STEEL CHASSIS, BLACK	120/208V ~ WYE 3W + N + PE 24A 50/60HZ	200-240V ~ ; 10A PER C13 16A MAX PER SECTION 24A MAX PER PHASE	
CIRCUIT BREAKERS	FILTER AND SPIKE/SURGE	ACCESSORIES	CONFIGURATION
(3) 20A 2-POLE UL LISTED	NONE	INCLUDED SPK021 - INSTALLATION INCLUDED SPK013 - NETWORK OPTIONAL EMP001 - ENVIRONMENTAL PROBE	EMA6PD15JGS27A1 SERIAL NUMBER B684 _____



METRIC	THIRD ANGLE PROJECTION	EATON CORPORATION, ELECTRICAL		SIZE D
DESCRIPTION: EPDU G3 SPECIFICATION FOR EMAU19-10				
MODIFIED BY: J. OSBORNE	DATE: 8 JULY 2016	UNLESS OTHERWISE SPECIFIED TOLERANCES ON DIMENSIONS ARE: ANGLES: ±10° DECIMALS: 0.X: ±0.25 X, (FOR X < 3): ±1		SCALE: 0.600
ECO: 105406	STATE: RELEASED	HOLES: ±0.13 DIMENSIONS ARE IN MILLIMETERS (INCHES) AND AFTER PLATING		DO NOT SCALE
PRO-ENGINEER GENERATED		PART NAME: EMA6PD15JGS27A1	REVISION: 003	DRAWING OR CHANGE MANUALLY
				SHEET: 1 of 1
EATON CORPORATION - CONFIDENTIAL AND PROPRIETARY NOTICE TO PERSONS RECEIVING THIS DOCUMENT AND/OR TECHNICAL INFORMATION THIS DOCUMENT, INCLUDING THE DRAWING AND INFORMATION CONTAINED THEREON, IS CONFIDENTIAL AND IS THE EXCLUSIVE PROPERTY OF EATON CORPORATION AND IS SUBJECT TO RECALL BY EATON AT ANY TIME. BY TAKING POSSESSION OF THIS DOCUMENT, THE RECIPIENT ACKNOWLEDGES AND AGREES THAT THIS DOCUMENT CANNOT BE USED IN ANY MANNER ADVERSE TO THE INTERESTS OF EATON, AND THAT NO PORTION OF THIS DOCUMENT MAY BE COPIED OR OTHERWISE REPRODUCED WITHOUT THE PRIOR WRITTEN CONSENT OF EATON. IN THE CASE OF CONFLICTING CONTRACTUAL PROVISIONS, THIS NOTICE SHALL GOVERN THE STATUS OF THIS DOCUMENT. © 2008 Eaton Corporation - All Rights Reserved.				