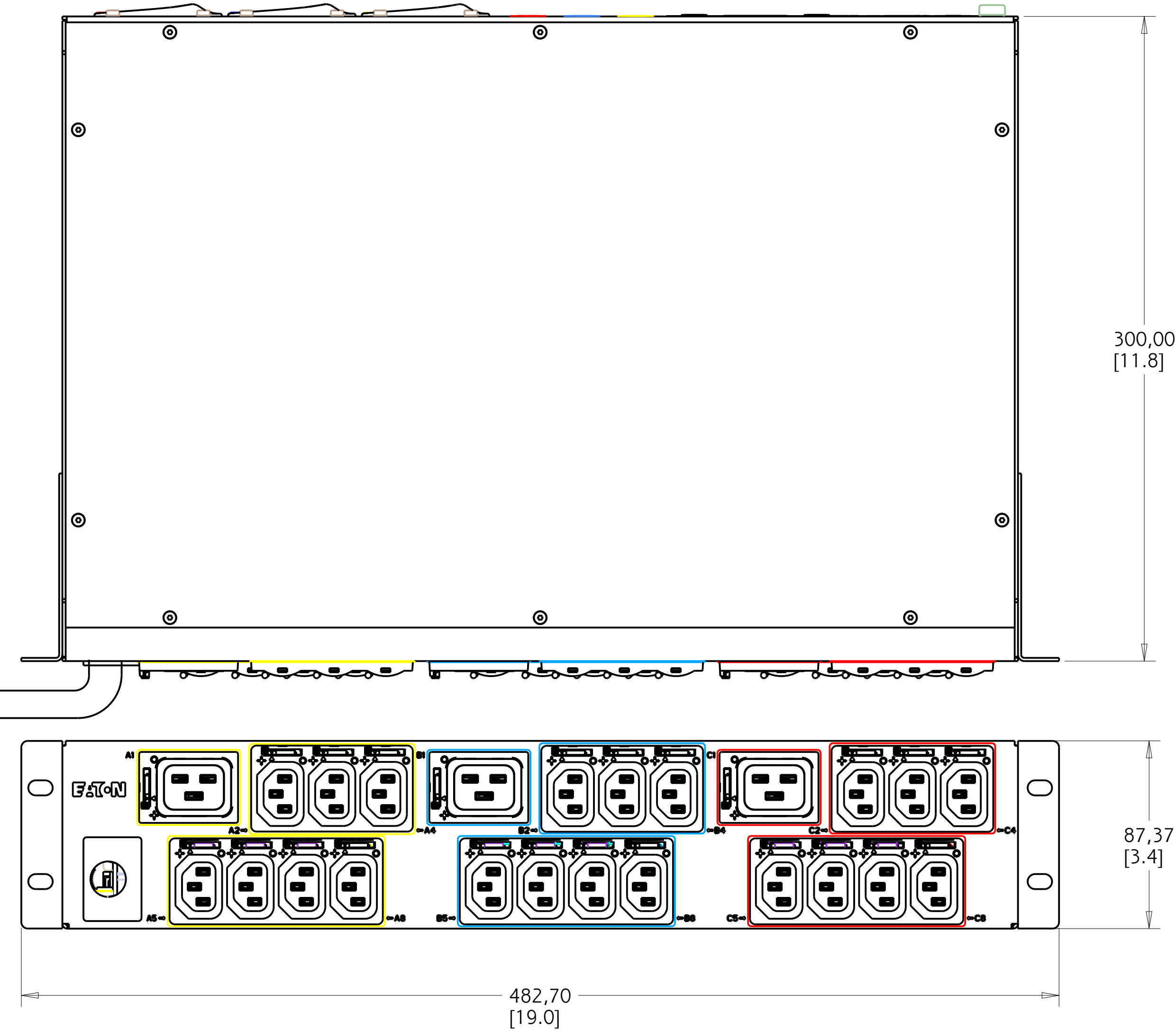
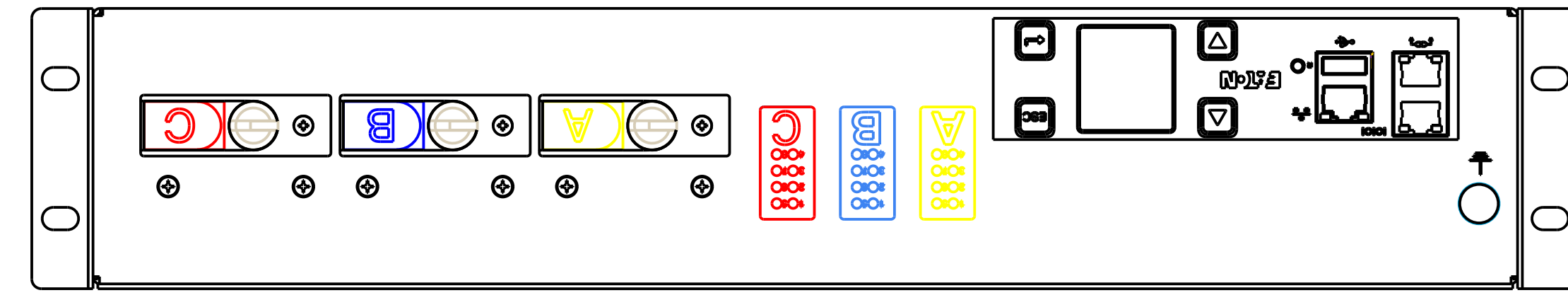

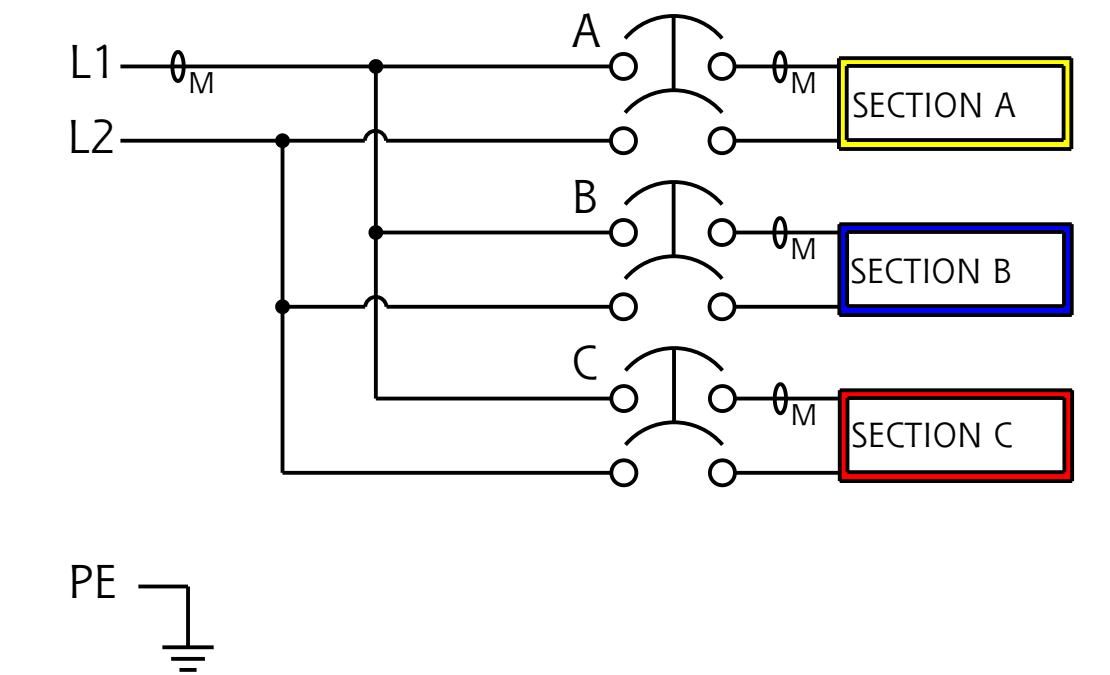


REV	ECO No.	REVISION	DR	CK	AP	DATE
001	103750	ENGINEERING CONCEPT	RS			10 JUN16
002	108429	ADDING UL MARKER - RELEASE	LL			10 JUN16



EMAU13-10 G3 MANAGED

FUNCTIONALITY CURRENT, POWER AND ENERGY METERING FOR INPUT, BRANCH AND OUTLET; OUTLET SWITCHING	INPUT NEMA L6-30 PLUG 10FT 10AWG / 3C POWERCORD	OUTPUT (21) IEC 60320 C13 GRIP (3) IEC 60320 C19 GRIP	ENVIRONMENTAL 32° TO 140° F 0° TO 60° C
MECHANICAL 3.44" (87.37mm) HEIGHT 19.00" (482.7mm) WIDTH 11.80" (300mm) DEPTH STEEL CHASSIS, BLACK	INPUT RATING 200-240V ~ 2W-PE 24A 50/60HZ	OUTPUT RATING 200-240V ~ ; 10A PER C13, 16A PER C19 16A MAX PER SECTION 24A MAX TOTAL	CERTIFICATIONS 
CIRCUIT BREAKERS (3) 20A 2-POLE UL LISTED	FILTER AND SPIKE/SURGE NONE	ACCESSORIES INCLUDED SPK021 - INSTALLATION INCLUDED SPK013 - NETWORK OPTIONAL EMP001 - ENVIRONMENTAL PROBE	CONFIGURATION EMA6MT15JGE27A1 SERIAL NUMBER B684 _____



METRIC	THIRD ANGLE PROJECTION	EATON CORPORATION, ELECTRICAL	EATON	SIZE D
DESCRIPTION: EPDU G3 SPECIFICATION FOR EMAU13-10				
MODIFIED BY: R. SIEGFRIED	DATE: 10 JUN 16	UNLESS OTHERWISE SPECIFIED TOLERANCES ON DIMENSIONS ARE: ANGLES: ±10° DECIMALS: 0.X: ±0.25 X (FOR X < 3): ±1		SCALE: 0.600
ECO: 103750	STATE: RELEASED	HOLES: ±0.13 DIMENSIONS ARE IN MILLIMETERS (INCHES) AND AFTER PLATING		DO NOT SCALE DRAWING OR CHANGE MANUALLY
PRO-ENGINEER GENERATED	PART NAME: EMA6MT15JGE27A1	REVISION: 002	SHEET: 1 of 1	

EATON CORPORATION - CONFIDENTIAL AND PROPRIETARY NOTICE TO PERSONS RECEIVING THIS DOCUMENT AND/OR TECHNICAL INFORMATION THIS DOCUMENT, INCLUDING THE DRAWING AND INFORMATION CONTAINED THEREON, IS CONFIDENTIAL AND IS THE EXCLUSIVE PROPERTY OF EATON CORPORATION AND IS SUBJECT TO RECALL BY EATON AT ANY TIME. BY TAKING POSSESSION OF THIS DOCUMENT, THE RECIENT ACKNOWLEDGES AND AGREES THAT THIS DOCUMENT CANNOT BE USED IN ANY MANNER ADVERSE TO THE INTERESTS OF EATON, AND THAT NO PORTION OF THIS DOCUMENT MAY BE COPIED OR OTHERWISE REPRODUCED WITHOUT THE PRIOR WRITTEN CONSENT OF EATON. IN THE CASE OF CONFLICTING CONTRACTUAL PROVISIONS, THIS NOTICE SHALL GOVERN THE STATUS OF THIS DOCUMENT. © 2008 Eaton Corporation - All Rights Reserved.