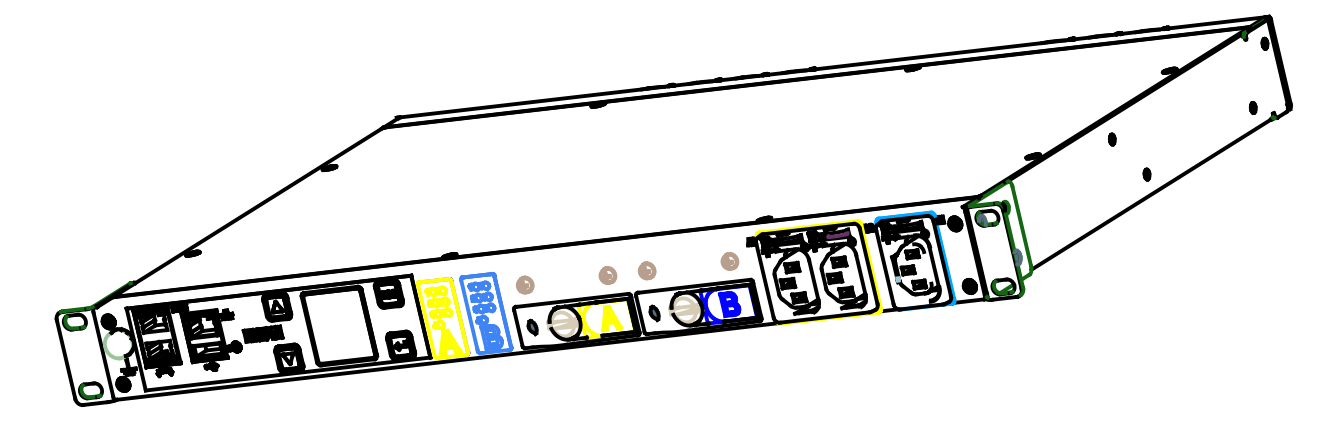
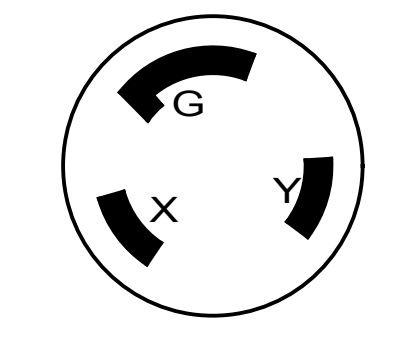
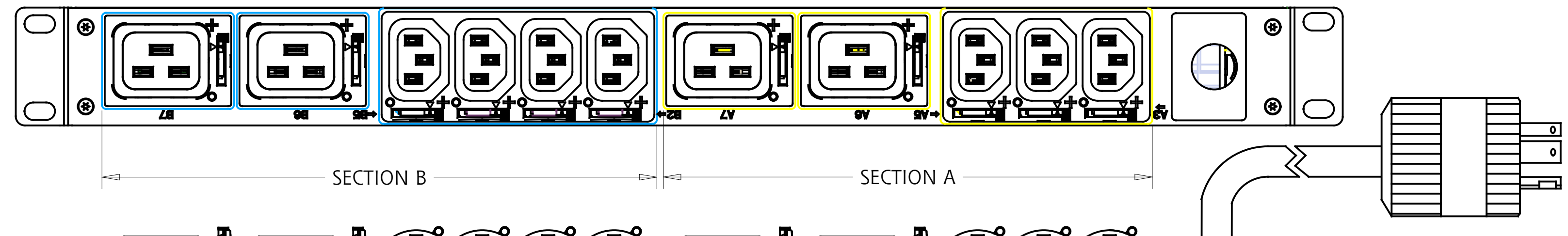
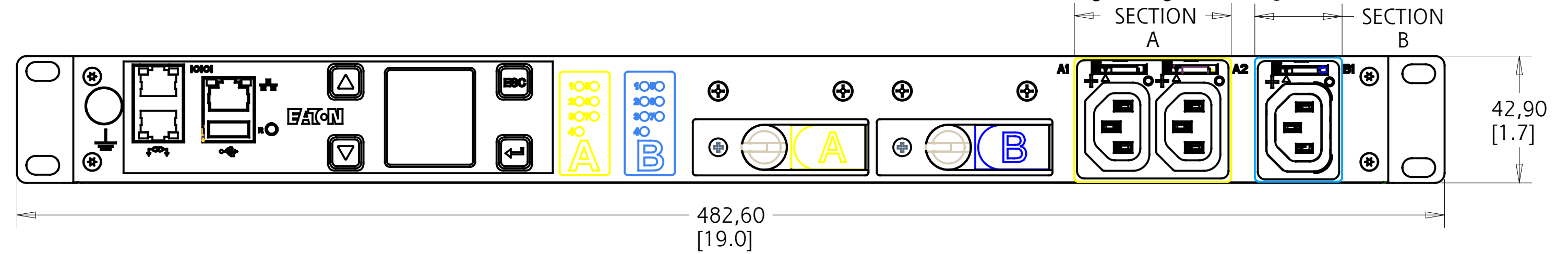
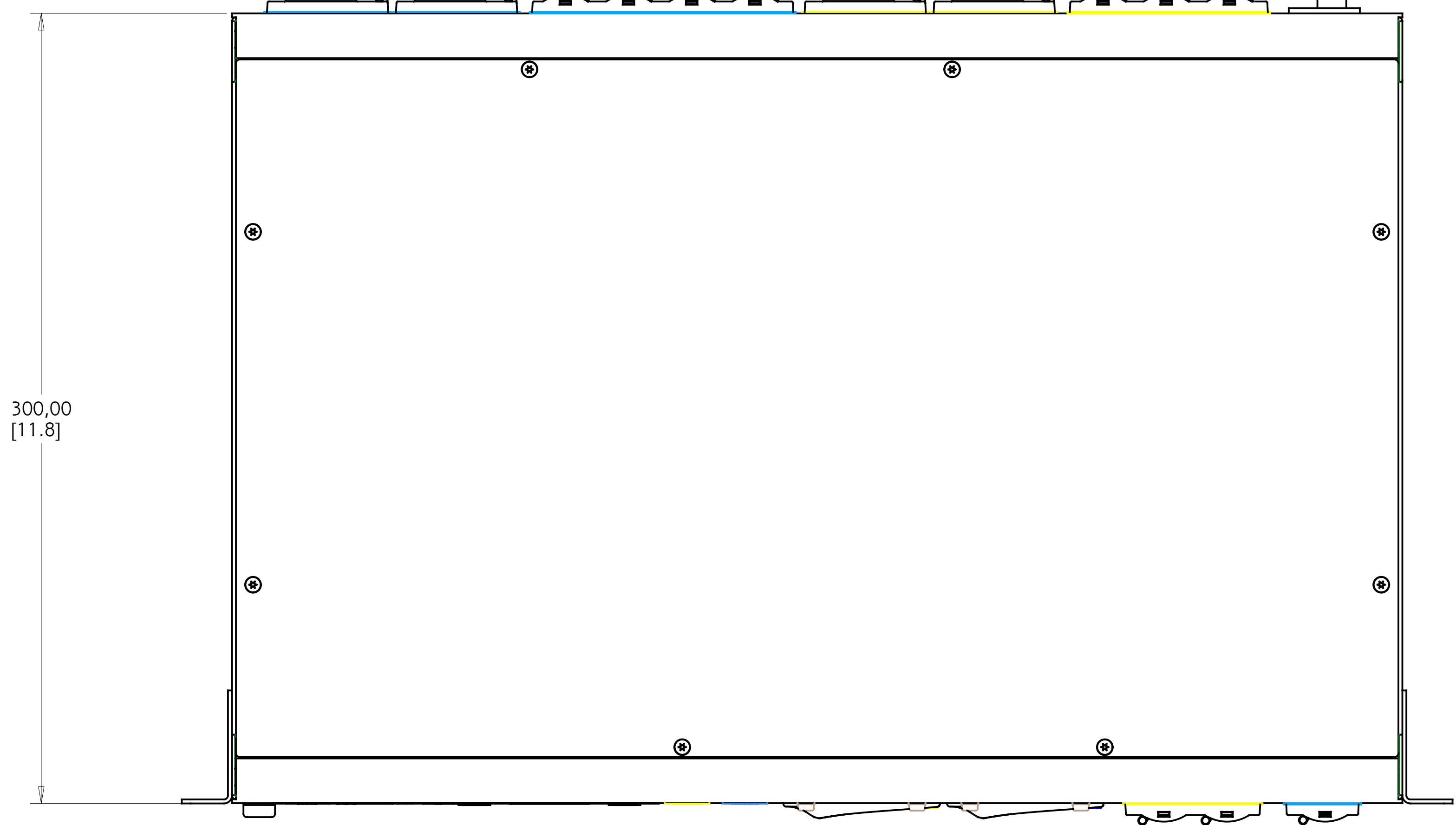


REV	ECO No.	REVISION	DR	CK	AP	DATE
001	099129	ENGINEERING RELEASE	RS			8 MAR 16
002	100902	REVISED C13 HOLES	RS			27 APR 16
003	103822	ADDED UL LABEL	RS			08 JUN 16

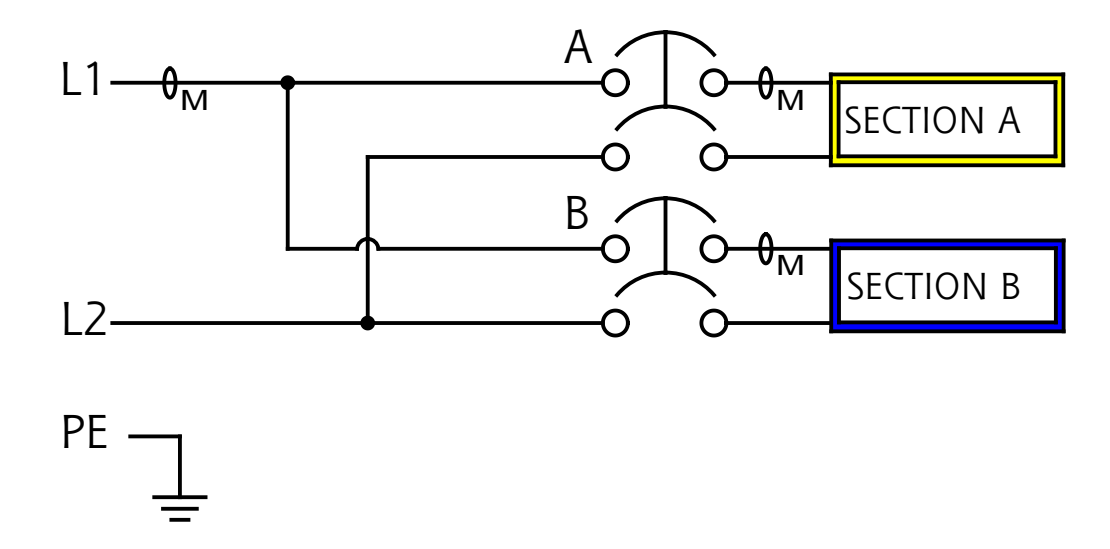


SCALE 0.300



EMAT06-10 G3 MANAGED

FUNCTIONALITY	INPUT	OUTPUT	ENVIRONMENTAL
CURRENT, POWER AND ENERGY METERING FOR INPUT, BRANCH AND OUTLET; OUTLET SWITCHING	NEMA L6-30 PLUG 10FT 10AWG / 3C POWERCORD	(10) IEC 60320 C13 GRIP (4) IEC 60320 C19 GRIP	32° TO 140° F 0° TO 60° C
MECHANICAL	INPUT RATING	OUTPUT RATING	CERTIFICATIONS
19.00" (482.6mm) WIDTH 1.69" (42.9mm) HEIGHT 11.8" (300mm) DEPTH BLACK CHASSIS	200-240V ~ 2W + PE 24A 50/60HZ	200-240V ~ ; 10A PER C13; 16A PER C19 16A MAX PER SECTION 24A MAX TOTAL	
CIRCUIT BREAKERS	FILTER AND SPIKE/SURGE	ACCESSORIES	CONFIGURATION
(2) 20A 2-POLE UL LISTED	NONE	INCLUDED SPK021 - INSTALLATION INCLUDED SPK013 - NETWORK OPTIONAL EMP001 - ENVIRONMENTAL PROBE	EMA6MT15JDR17A1 SERIAL NUMBER B684 _____



METRIC	THIRD ANGLE PROJECTION	EATON CORPORATION, ELECTRICAL	EATON	SIZE D
DESCRIPTION: ePDU G3 SPECIFICATION FOR EMAT06-10				
MODIFIED BY: R. SIEGFRIED	DATE: 8 MAR 16	UNLESS OTHERWISE SPECIFIED TOLERANCES ON DIMENSIONS ARE: ANGLES: ±10° DECIMALS: 0.X: ±0.25 X (FOR X < 3): ±1		SCALE: 0.750 DO NOT SCALE
ECO: 099129	STATE: RELEASE	HOLES: Ø<0.13 Ø<0.25 X (FOR X > 3): ±2.5 DIMENSIONS ARE IN MILLIMETERS (INCHES) AND AFTER PLATING		DRAWING OR CHANGE MANUALLY
PRO-ENGINEER GENERATED		PART NAME: EMA6MT15JDR17A1	REVISION: 003	SHEET: 1 of 1
<small>EATON CORPORATION - CONFIDENTIAL AND PROPRIETARY NOTICE TO PERSONS RECEIVING THIS DOCUMENT AND/OR TECHNICAL INFORMATION THIS DOCUMENT, INCLUDING THE DRAWING AND INFORMATION CONTAINED THEREON, IS CONFIDENTIAL AND IS THE EXCLUSIVE PROPERTY OF EATON CORPORATION AND IS SUBJECT TO RECALL BY EATON AT ANY TIME. BY TAKING POSSESSION OF THIS DOCUMENT, THE RECIPIENT ACKNOWLEDGES AND AGREES THAT THIS DOCUMENT CANNOT BE USED IN ANY MANNER AGREE TO THE INTERESTS OF EATON, AND THAT NO PORTION OF THIS DOCUMENT MAY BE COPIED OR OTHERWISE REPRODUCED WITHOUT THE PRIOR WRITTEN CONSENT OF EATON. IN THE CASE OF CONFLICTING CONTRACTUAL PROVISIONS, THIS NOTICE SHALL GOVERN THE STATUS OF THIS DOCUMENT. © 2008 Eaton Corporation - All Rights Reserved.</small>				