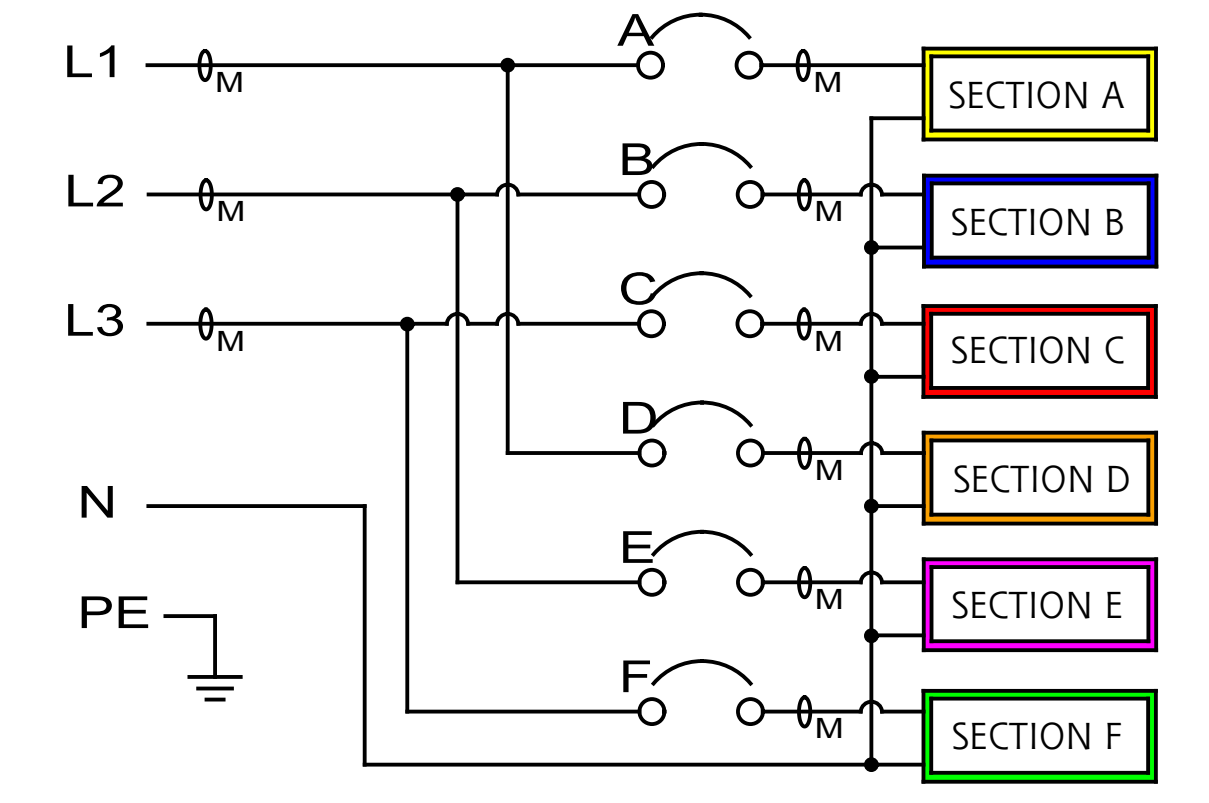
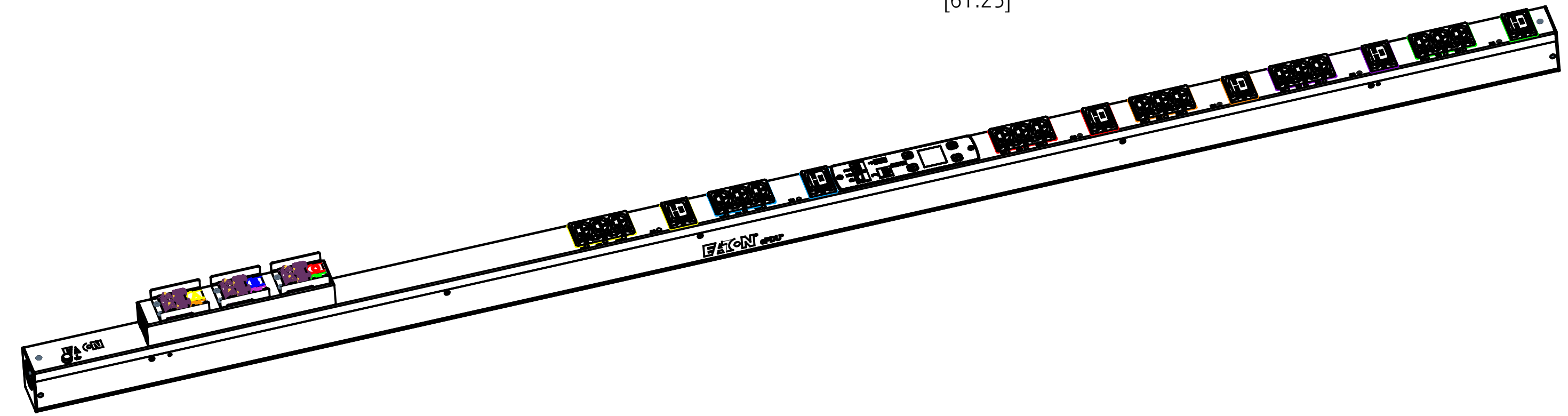
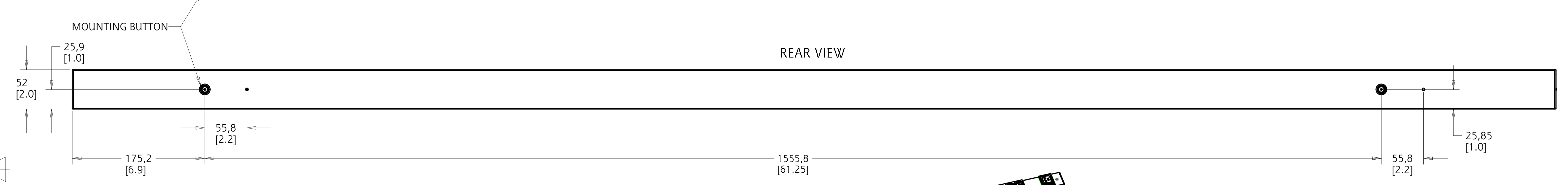
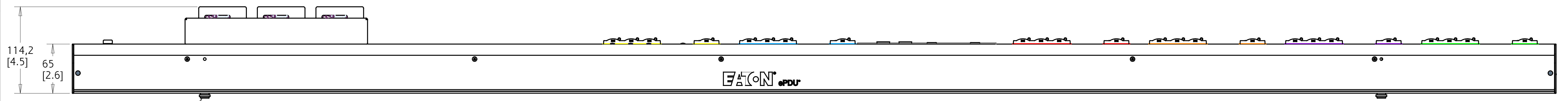
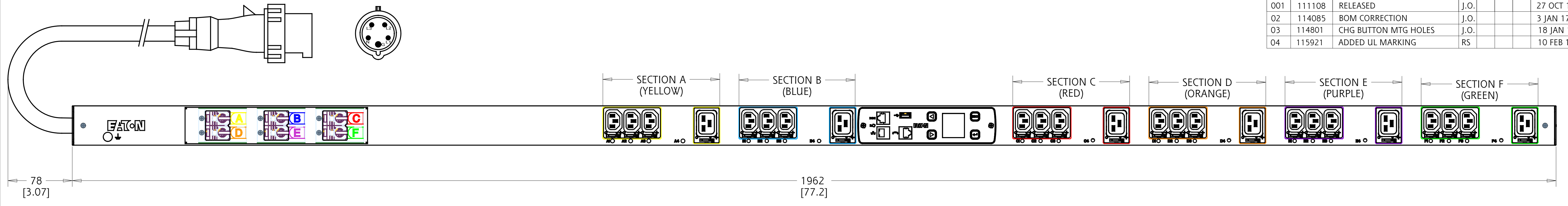


REV	ECO No.	REVISION	DR	CK	AP	DATE
001	111108	RELEASED	J.O.			27 OCT 16
02	114085	BOM CORRECTION	J.O.			3 JAN 17
03	114801	CHG BUTTON MTG HOLES	J.O.			18 JAN 17
04	115921	ADDED UL MARKING	RS			10 FEB 17



EMA378-10 G3 MANAGED

FUNCTIONALITY	INPUT	OUTPUT	ENVIRONMENTAL
CURRENT, POWER, AND ENERGY METERING FOR INPUT, BRANCH AND OUTLET; OUTLET SWITCHING	IEC 60309 532P6W PLUG 10FT 10AWG / 5C POWERCORD	(18) IEC 60320 C13 GRIP (6) IEC 60320 C19 GRIP	32° TO 140° F 0° TO 60° C
MECHANICAL	INPUT RATING	OUTPUT RATING	CERTIFICATIONS
77.2" (1962mm) LENGTH 2.05" (52mm) WIDTH 2.56" (65mm) DEPTH ALUMINUM CHASSIS, BLACK	200-240 / 346-415V~ WYE, 3W+N+PE 24A 50/60HZ	200-240V~ 10A PER C13; 16A PER C19 16A MAX PER SECTION 24A MAX PER PHASE	
CIRCUIT BREAKERS	FILTER AND SPIKE/SURGE	ACCESSORIES	CONFIGURATION
(6) 20A FUSE CLASS G 600V - 100KAIC FINGER SAFE WITH DISCONNECT-RATED SWITCH	NONE	INCLUDED SPK012 - INSTALLATION INCLUDED SPK013 - NETWORK OPTIONAL EMP001 - ENVIRONMENTAL PROBE	EMA6DJ95MJW7GA1 SERIAL NUMBER B684 _____

METRIC	THIRD ANGLE PROJECTION	EATON CORPORATION, ELECTRICAL	EATON	SIZE D
DESCRIPTION: ePDU G3 SPECIFICATION FOR EMA6DJ95MJW7GA1				
MODIFIED BY: J. OSBORNE	DATE: 27 OCT 2016	UNLESS OTHERWISE SPECIFIED TOLERANCES ON DIMENSIONS ARE: ANGLES: ±1/2° DECIMALS: 0.X: ±0.25 X (FOR X < 3): ±1		SCALE: 0:400
ECO: 111108	STATE: RELEASED	DIMENSIONS ARE IN MILLIMETERS (INCHES) AND AFTER PLATING		DO NOT SCALE DRAWING OR CHANGE MANUALLY
PRO-ENGINEER GENERATED	PART NAME: EMA6DJ95MJW7GA1	REVISION: 04	SHEET: 1 of 1	
<small>EATON CORPORATION - CONFIDENTIAL AND PROPRIETARY NOTICE TO PERSONS RECEIVING THIS DOCUMENT AND/OR TECHNICAL INFORMATION THIS DOCUMENT, INCLUDING THE DRAWING AND INFORMATION CONTAINED THEREON, IS CONFIDENTIAL AND IS THE EXCLUSIVE PROPERTY OF EATON CORPORATION AND IS HEREBY ON LOAN AND SUBJECT TO RECALL BY EATON AT ANY TIME. BY TAKING POSSESSION OF THIS DOCUMENT, THE RECIPIENT ACKNOWLEDGES AND AGREES THAT THIS DOCUMENT CANNOT BE USED IN ANY MANNER ADVERSE TO THE INTERESTS OF EATON, AND THAT NO PORTION OF THIS DOCUMENT MAY BE COPIED OR OTHERWISE REPRODUCED WITHOUT THE PRIOR WRITTEN CONSENT OF EATON. IN THE CASE OF CONFLICTING CONTRACTUAL PROVISIONS, THIS NOTICE SHALL GOVERN THE STATUS OF THIS DOCUMENT. © 2008 Eaton Corporation - All Rights Reserved.</small>				