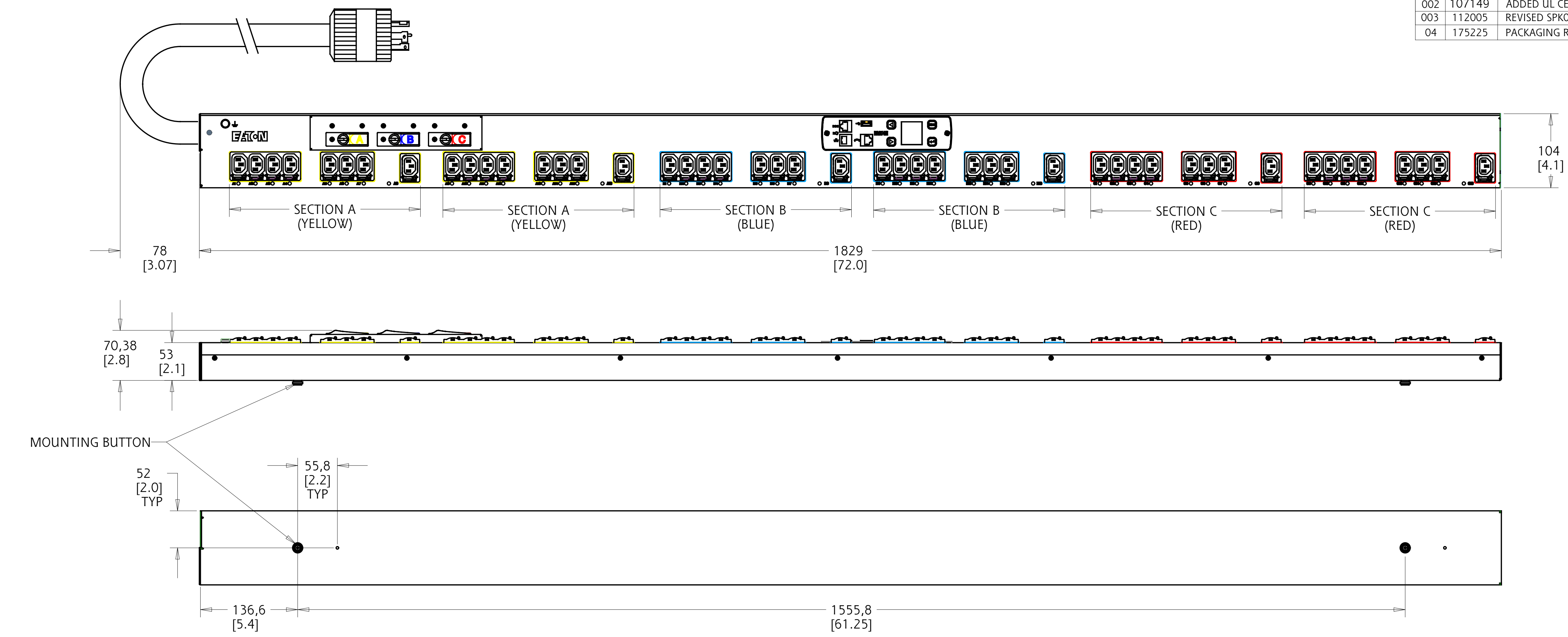
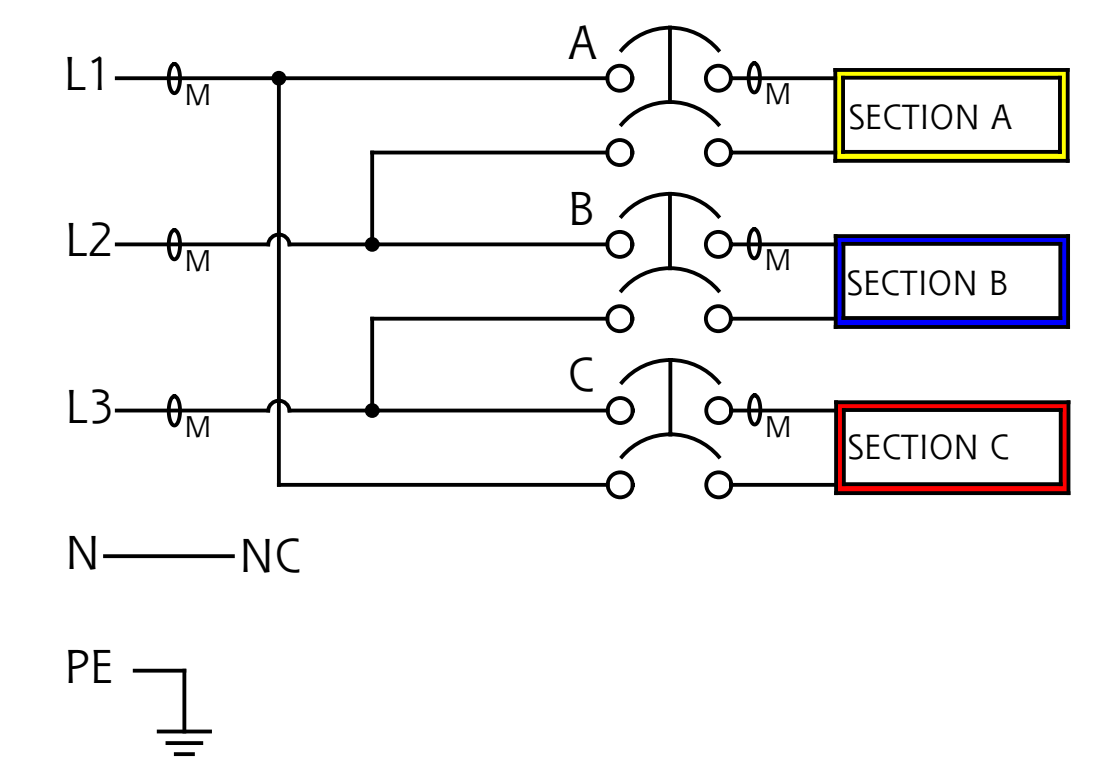


REV	ECO No.	REVISION	DR	CK	AP	DATE
001	104503	RELEASED	J.O.			23 JUNE 16
002	107149	ADDED UL CERTIFICATION	L.L.			8 AUG 16
003	112005	REVISED SPK023 TO BE SPK014	RS			21 NOV 16
04	175225	PACKAGING REVISION	RS			01 NOV 19



# EMA375-10 G3 MANAGED

FUNCTIONALITY	INPUT	OUTPUT	ENVIRONMENTAL
CURRENT, POWER AND ENERGY METERING FOR INPUT, BRANCH AND OUTLET; OUTLET SWITCHING	NEMA L21-30 PLUG 10AWG / 5C 10FT POWERCORD	(48) IEC 60320 C13 GRIP	32° TO 140° F (0° TO 60° C)
MECHANICAL	INPUT RATING	OUTPUT RATING	CERTIFICATIONS
72" (1829mm) LENGTH 4.10" (104mm) WIDTH 2.10" (53mm) DEPTH ALUMINUM CHASSIS, BLACK	120/208V ~ 3W+N+PE 50/60HZ	200-240V ~ 10A MAX PER C13 16A MAX PER SECTION 24A MAX PER PHASE	
BRANCH CIRCUIT PROTECTION	FILTER AND SPIKE/SURGE	ACCESSORIES	CONFIGURATION
(3) 20A 2-POLE LISTED	NONE	INCLUDED SPK014 - INSTALLATION INCLUDED SPK013 - NETWORK OPTIONAL EMP001 - ENVIRONMENTAL PROBE	EMA6PD15JGR9BA1 SERIAL NUMBER B684 _____



METRIC	THIRD ANGLE PROJECTION	EATON CORPORATION, ELECTRICAL	EATON	SIZE D
DESCRIPTION: ePDU G3 SPECIFICATION DRAWING FOR EMA6PD15JGR9BA1				
MODIFIED BY: J. OSBORNE	DATE: 23 JUNE 2016	UNLESS OTHERWISE SPECIFIED TOLERANCES ON DIMENSIONS ARE: ANGLES: ±1/2°    DECIMALS: 0.X: ±0.75" X, (FOR X < 3): ±1 HOLES: ±0.013    DIA: ±0.25" X, (FOR X > 3): ±2.5		SCALE: 0.300 DO NOT SCALE DRAWING OR CHANGE MANUALLY
ECO: 104503	STATE: RELEASED	DIMENSIONS ARE IN MILLIMETERS (INCHES) AND AFTER PLATING		
PRO-ENGINEER GENERATED		PART NAME: EMA6DJ95TKD9BA1	REVISION: 04	SHEET: 1 of 1
<small>EATON CORPORATION - CONFIDENTIAL AND PROPRIETARY NOTICE TO PERSONS RECEIVING THIS DOCUMENT AND/OR TECHNICAL INFORMATION THIS DOCUMENT, INCLUDING THE DRAWING AND INFORMATION CONTAINED THEREON, IS CONFIDENTIAL AND IS THE EXCLUSIVE PROPERTY OF EATON CORPORATION AND IS SUBJECT TO RECALL BY EATON AT ANY TIME. BY TAKING POSSESSION OF THIS DOCUMENT, THE RECIPIENT ACKNOWLEDGES AND AGREES THAT THIS DOCUMENT CANNOT BE USED IN ANY MANNER ADVERSE TO THE INTERESTS OF EATON, AND THAT NO PORTION OF THIS DOCUMENT MAY BE COPIED OR OTHERWISE REPRODUCED WITHOUT THE PRIOR WRITTEN CONSENT OF EATON. IN THE CASE OF CONFLICTING CONTRACTUAL PROVISIONS, THIS NOTICE SHALL GOVERN THE STATUS OF THIS DOCUMENT. © 2008 Eaton Corporation - All Rights Reserved.</small>				