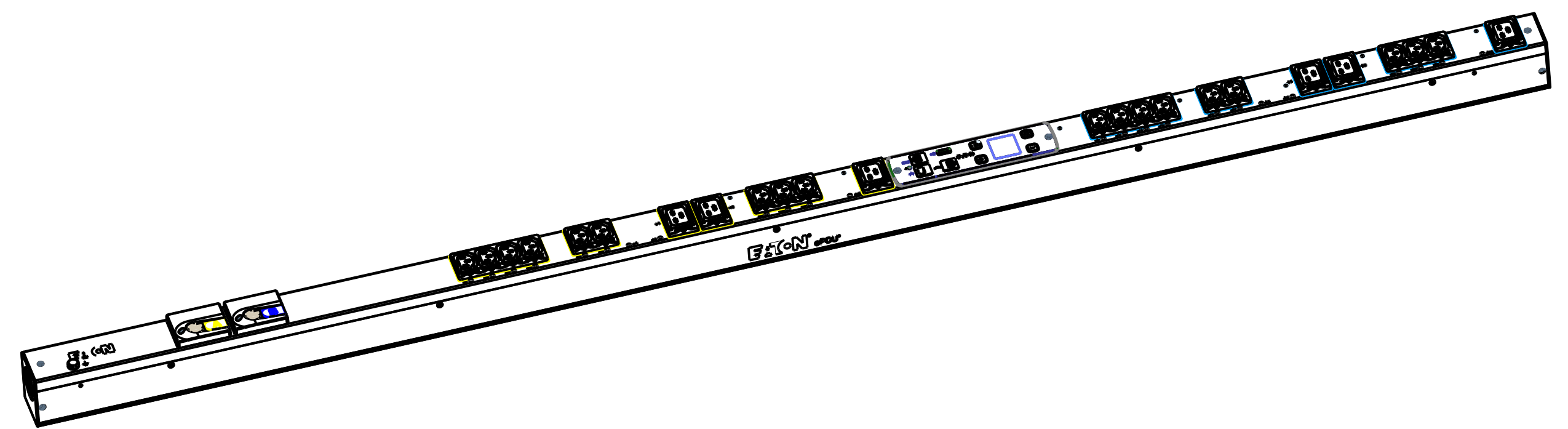
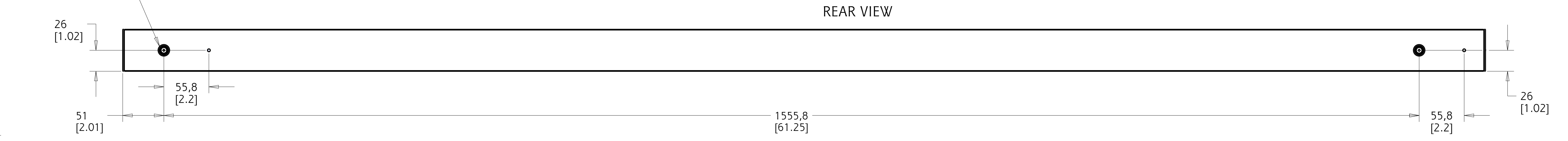
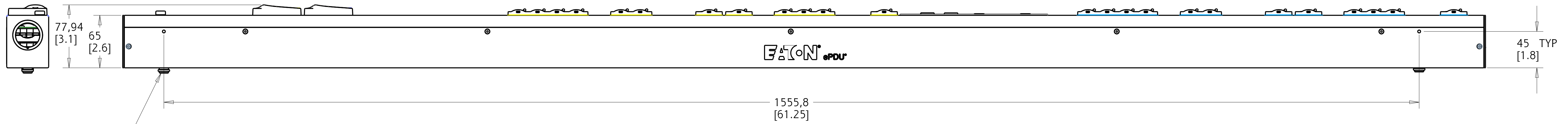
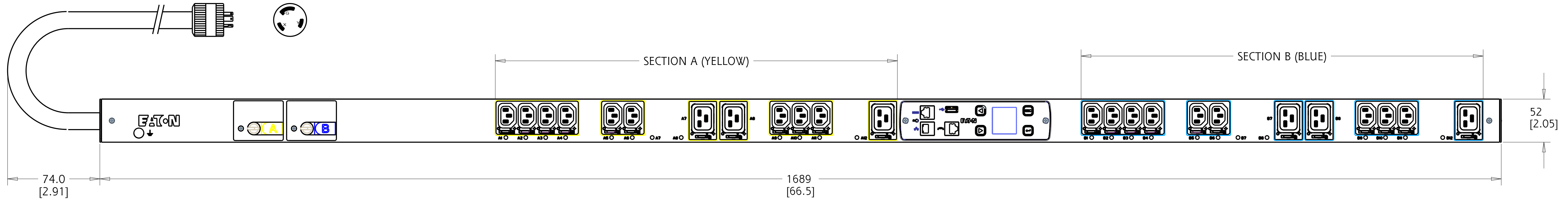

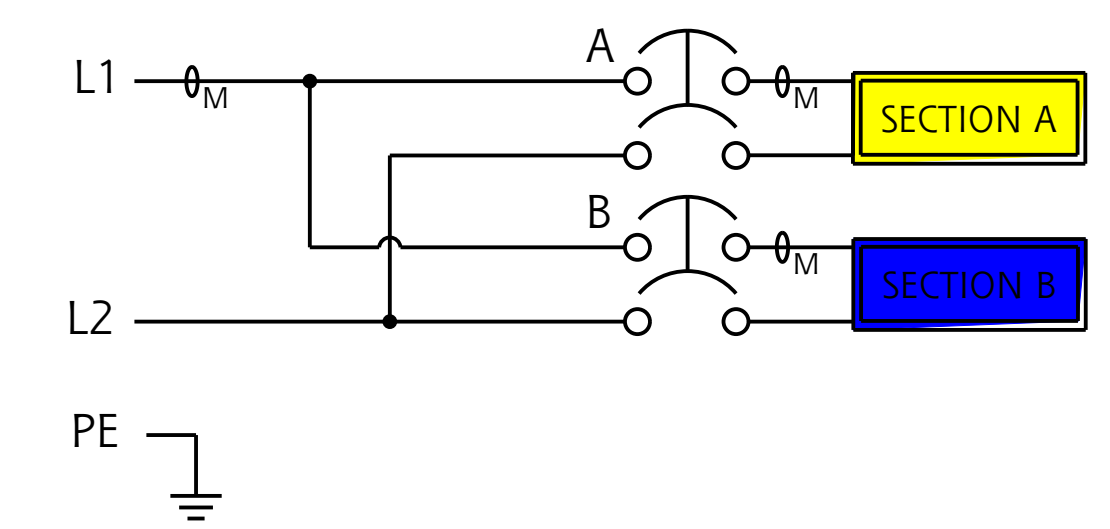


REV	ECO #	DESCRIPTION	DR	CK	AP	DATE
001	108477	ENGINEERING RELEASE	RS			7 SEPT 16
02	115006	MATCH REV. WITH ENOVIA	BK			26 JAN 17



EMA142-10 G3 MANAGED

FUNCTIONALITY CURRENT, POWER, AND ENERGY METERING FOR INPUT, BRANCH AND OUTLET; OUTLET SWITCHING	INPUT NEMA L6-30P 10FT 10AWG / 3C POWERCORD	OUTPUT (18) IEC 60320 C13 GRIP (6) IEC 60320 C19 GRIP	ENVIRONMENTAL 32° TO 140° F 0° TO 60° C
MECHANICAL 66.50" (1689mm) LENGTH 2.05" (52mm) WIDTH 2.56" (65mm) DEPTH ALUMINUM CHASSIS, BLACK	INPUT RATING 200-240V ~ 2W + PE 24A 50/60HZ	OUTPUT RATING 200-240V ~ 10A PER C13; 16A PER C19 16A MAX PER SECTION 24A MAX TOTAL	CERTIFICATIONS 
CIRCUIT BREAKERS (2) 20A 2-POLE LISTED	FILTER AND SPIKE/SURGE NONE	ACCESSORIES INCLUDED SPK012 - INSTALLATION INCLUDED SPK013 - NETWORK OPTIONAL EMP001 - ENVIRONMENTAL PROBE	CONFIGURATION EMA6MT15JDU88A1 SERIAL NUMBER B684 _____



METRIC		EATON CORPORATION, ELECTRICAL		SIZE D
DESCRIPTION: ePDU G3 SPECIFICATION FOR EMA142-10				
MODIFIED BY: R. SIEGFRIED	DATE: 13 SEPT 2016	UNLESS OTHERWISE SPECIFIED TOLERANCES ON DIMENSIONS ARE: ANGLES: ±1/2° DECIMALS: 0.X: ±0.25 X (FOR X < 3): ±1		SCALE: 0:400
ECO: 108477	STATE: RELEASED	DIMENSIONS ARE IN MILLIMETERS (INCHES) AND AFTER PLATING		DO NOT SCALE DRAWING OR CHANGE MANUALLY
PRO-ENGINEER GENERATED		PART NAME: EMA6MT15JDU88A1	REVISION: 02	SHEET: 1 of 1

EATON CORPORATION - CONFIDENTIAL AND PROPRIETARY NOTICE TO PERSONS RECEIVING THIS DOCUMENT AND/OR TECHNICAL INFORMATION THIS DOCUMENT, INCLUDING THE DRAWING AND INFORMATION CONTAINED THEREON, IS CONFIDENTIAL AND IS THE EXCLUSIVE PROPERTY OF EATON CORPORATION AND IS SUBJECT TO EATON'S CONFIDENTIALITY POLICY. BY TAKING POSSESSION OF THIS DOCUMENT, THE RECIPIENT ACKNOWLEDGES AND AGREES THAT THIS DOCUMENT CANNOT BE USED IN ANY MANNER ADVERSE TO THE INTERESTS OF EATON, AND THAT NO PORTION OF THIS DOCUMENT MAY BE COPIED OR OTHERWISE REPRODUCED WITHOUT THE PRIOR WRITTEN CONSENT OF EATON. IN THE CASE OF CONFLICTING CONTRACTUAL PROVISIONS, THIS NOTICE SHALL GOVERN THE STATUS OF THIS DOCUMENT. © 2008 Eaton Corporation - All Rights Reserved.