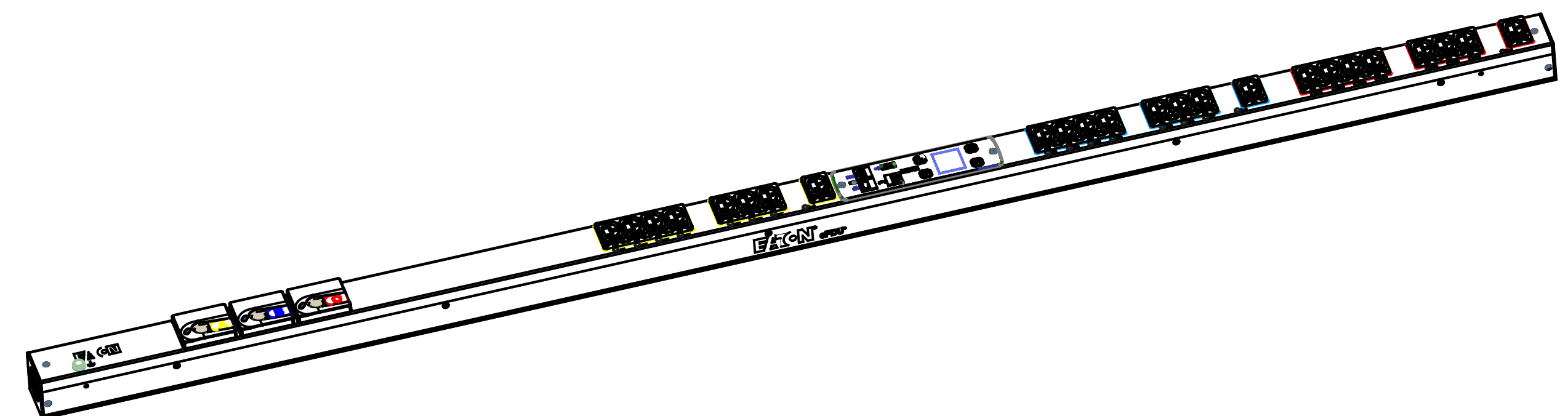
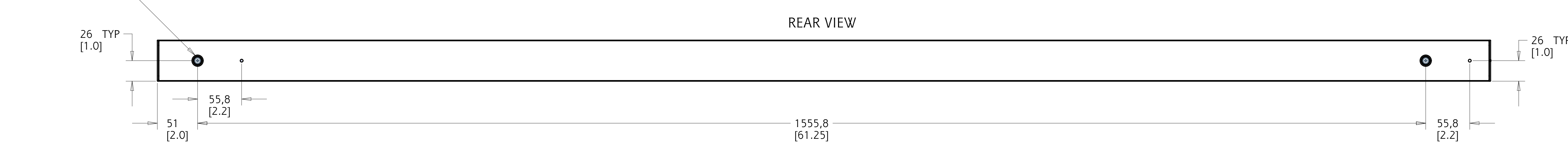
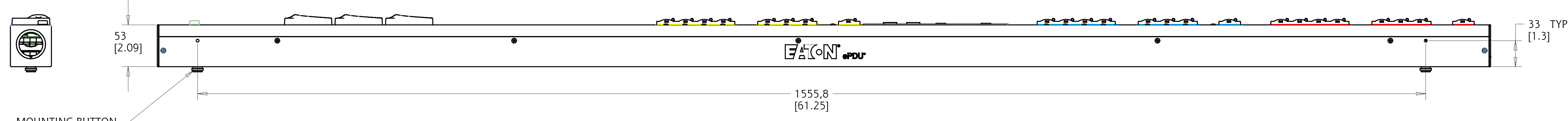
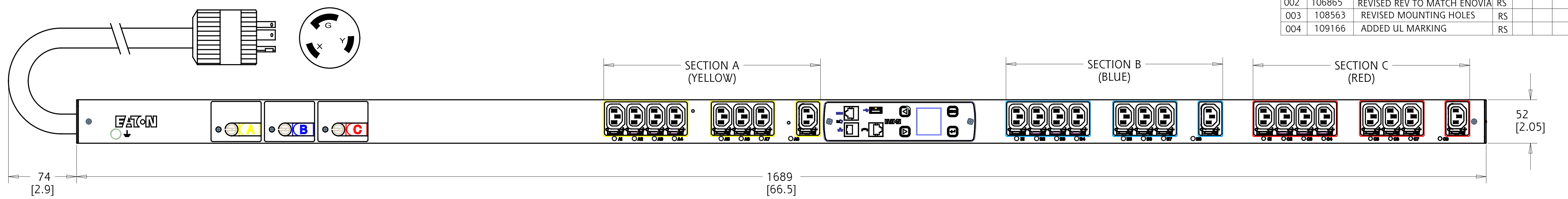
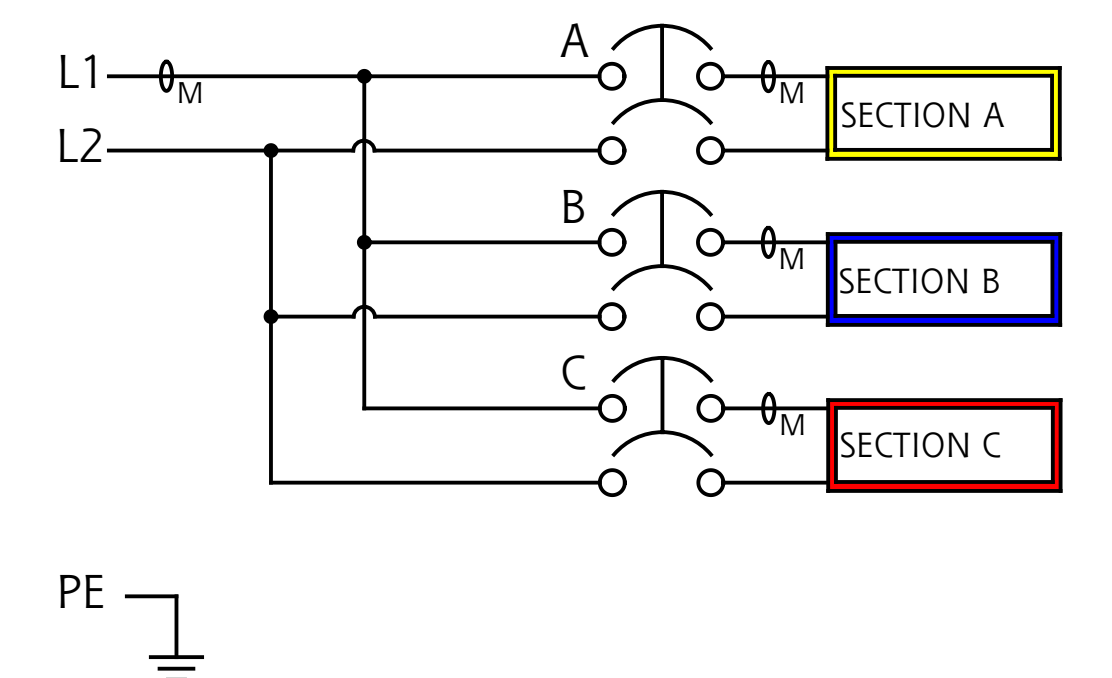


REV	ECO No.	REVISION	DR	CK	AP	AP	DATE
001	105550	ENGINEERING RELEASE	RS				13 JUL 16
002	106865	REVISED REV TO MATCH ENOVIA	RS				05 AUG 16
003	108563	REVISED MOUNTING HOLES	RS				9 SEPT 16
004	109166	ADDED UL MARKING	RS				21 SEPT 16



EMA140-10 G3 MANAGED

FUNCTIONALITY	INPUT	OUTPUT	ENVIRONMENTAL
CURRENT, POWER, AND ENERGY METERING FOR INPUT, BRANCH AND OUTLET; OUTLET SWITCHING	NEMA L6-30P PLUG 10AWG / 3C 10FT POWERCORD	(24) IEC 60320 C13 GRIP	32° TO 140° F 0° TO 60° C
MECHANICAL	INPUT RATING	OUTPUT RATING	CERTIFICATIONS
66.50" (1689mm) LENGTH 2.05" (52mm) WIDTH 2.09" (53mm) DEPTH ALUMINUM CHASSIS, BLACK	200-240V ~ 2W + PE 24A 50/60HZ	200-240V ~ ; 10A PER C13 16A MAX PER SECTION 24A MAX TOTAL	
CIRCUIT BREAKERS	FILTER AND SPIKE/SURGE	ACCESSORIES	CONFIGURATION
(3) 20A 2-POLE UL LISTED	NONE	INCLUDED SPK012 - INSTALLATION INCLUDED SPK013 - NETWORK OPTIONAL EMP001 - ENVIRONMENTAL PROBE	EMA6MT15JGS88A1 SERIAL NUMBER B684 _____



METRIC		EATON CORPORATION, ELECTRICAL		SIZE D
DESCRIPTION: ePDU G3 SPECIFICATION FOR EMA140-10				
MODIFIED BY: R. SIEGFRIED	DATE: 13 JUL 2016	UNLESS OTHERWISE SPECIFIED TOLERANCES ON DIMENSIONS ARE: ANGLES: ±10° DECIMALS: 0.X: ±0.25 X: (FOR X < 3): ±1		SCALE: 0:400
ECO: 105550	STATE: RELEASED	DIMENSIONS ARE IN MILLIMETERS (INCHES) AND AFTER PLATING		DO NOT SCALE
PRO-ENGINEER GENERATED		PART NAME: EMA6MT15JGS88A1	REVISION: 004	DRAWING OR CHANGE MANUALLY
				SHEET: 1 of 1

EATON CORPORATION - CONFIDENTIAL AND PROPRIETARY NOTICE TO PERSONS RECEIVING THIS DOCUMENT AND/OR TECHNICAL INFORMATION THIS DOCUMENT, INCLUDING THE DRAWING AND INFORMATION CONTAINED THEREON, IS CONFIDENTIAL AND IS THE EXCLUSIVE PROPERTY OF EATON CORPORATION AND IS SUBJECT TO RECALL BY EATON AT ANY TIME. BY TAKING POSSESSION OF THIS DOCUMENT, THE RECIPIENT ACKNOWLEDGES AND AGREES THAT THIS DOCUMENT CANNOT BE USED IN ANY MANNER ADVERSE TO THE INTERESTS OF EATON, AND THAT NO PORTION OF THIS DOCUMENT MAY BE COPIED OR OTHERWISE REPRODUCED WITHOUT THE PRIOR WRITTEN CONSENT OF EATON. IN THE CASE OF CONFLICTING CONTRACTUAL PROVISIONS, THIS NOTICE SHALL GOVERN THE STATUS OF THIS DOCUMENT. © 2008 Eaton Corporation. All Rights Reserved.