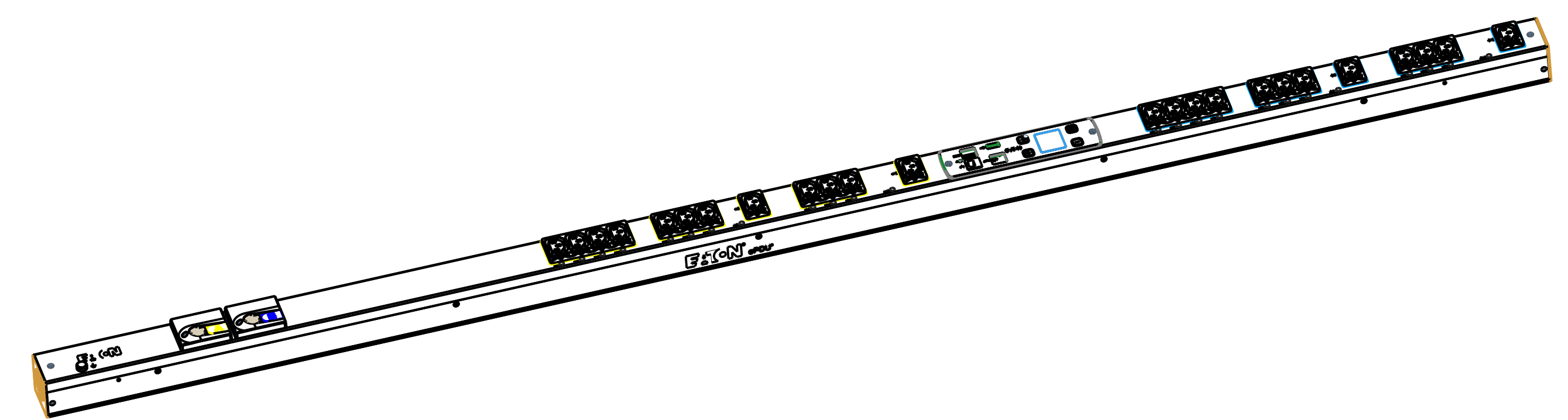
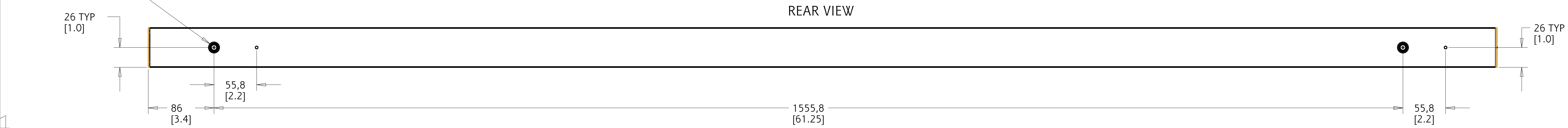
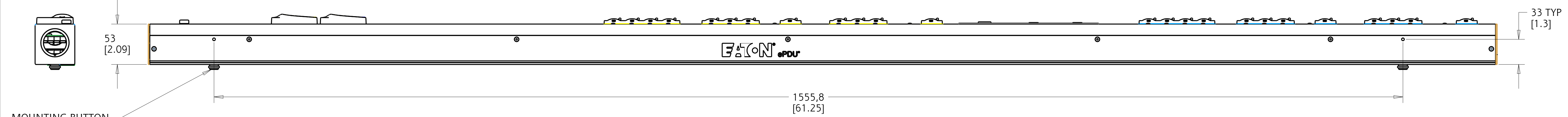
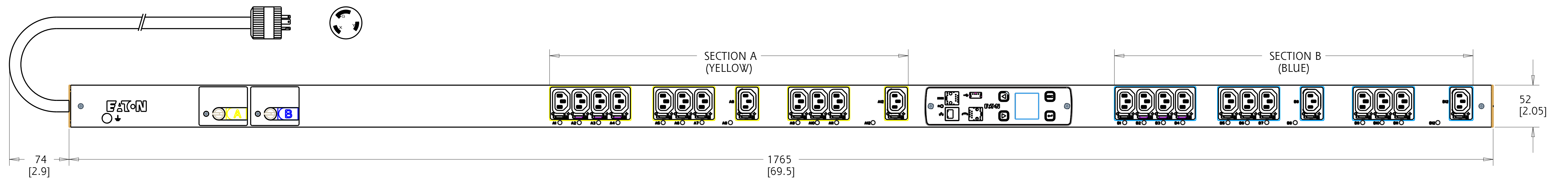

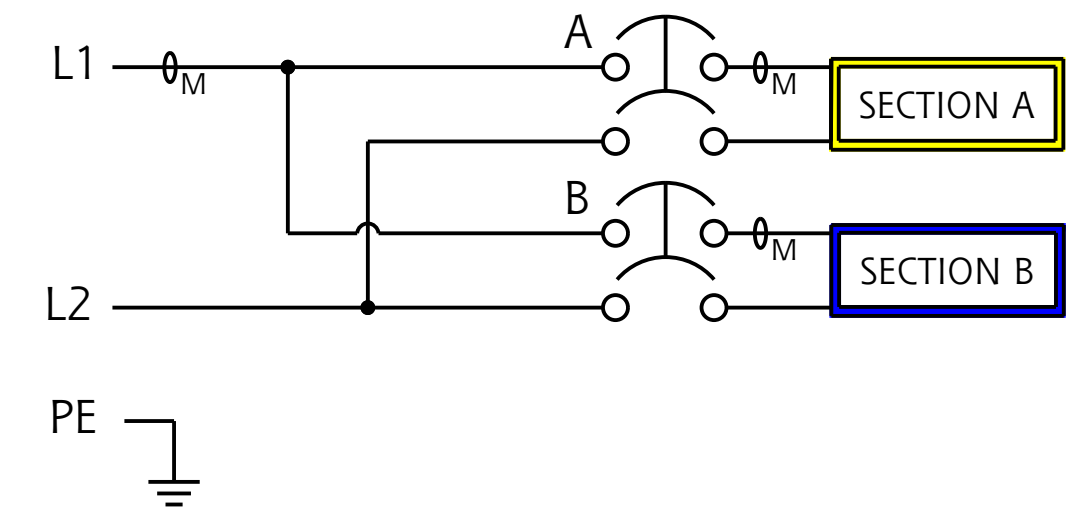


REV	ECO No.	REVISION	DR	CK	AP	AP	DATE
001	085953	ENGINEERING RELEASE	HN				20 JUL 15



# EMA135-10 G3 MANAGED

<b>FUNCTIONALITY</b> CURRENT, POWER, AND ENERGY METERING FOR INPUT, BRANCH AND OUTLET; OUTLET SWITCHING	<b>INPUT</b> NEMA L6-30 PLUG 10FT 10AWG / 3C POWERCORD	<b>OUTPUT</b> (24) IEC 60320 C13 GRIP	<b>ENVIRONMENTAL</b> 32° TO 140° F 0° TO 60° C
<b>MECHANICAL</b> 69.50" (1765mm) LENGTH 2.05" (52mm) WIDTH 2.09" (53mm) DEPTH ALUMINUM CHASSIS, BLACK	<b>INPUT RATING</b> 200-240V ~ 2W + PE 24A 50/60HZ	<b>OUTPUT RATING</b> 200-240V ~ 10A PER C13 16A MAX PER SECTION 24A MAX TOTAL	<b>CERTIFICATIONS</b> 
<b>CIRCUIT BREAKERS</b> (2) 20A 2-POLE UL LISTED	<b>FILTER AND SPIKE/SURGE</b> NONE	<b>ACCESSORIES</b> INCLUDED SPK012 - INSTALLATION INCLUDED SPK013 - NETWORK OPTIONAL EMP001 - ENVIRONMENTAL PROBE	<b>CONFIGURATION</b> EMA6MT15JDP79A1 SERIAL NUMBER B684 _____



METRIC	THIRD ANGLE PROJECTION	EATON CORPORATION, ELECTRICAL	<b>EATON</b>	SIZE D
DESCRIPTION: ePDU G3 SPECIFICATION FOR EMA135-10				
MODIFIED BY: HUY NGUYEN	DATE: 20 JUL 2015	UNLESS OTHERWISE SPECIFIED TOLERANCES ON DIMENSIONS ARE: ANGLES: ±1/2° HOLES: ±0.13mm DIMENSIONS ARE IN MILLIMETERS (INCHES) AND AFTER PLATING		SCALE: 0.400 DO NOT SCALE DRAWING OR CHANGE MANUALLY
ECO: 085953	STATE: RELEASED	PART NAME: EMA6MT15JDP79A1	REVISION: 001	SHEET: 1 of 1
EATON CORPORATION - CONFIDENTIAL AND PROPRIETARY NOTICE TO PERSONS RECEIVING THIS DOCUMENT AND/OR TECHNICAL INFORMATION THIS DOCUMENT, INCLUDING THE DRAWING AND INFORMATION CONTAINED THEREON, IS CONFIDENTIAL AND IS THE EXCLUSIVE PROPERTY OF EATON CORPORATION AND IS SUBJECT TO RECALL BY EATON AT ANY TIME. BY TAKING POSSESSION OF THIS DOCUMENT, THE RECIPIENT ACKNOWLEDGES AND AGREES THAT THIS DOCUMENT CANNOT BE USED IN ANY MANNER ADVERSE TO THE INTERESTS OF EATON, AND THAT NO PORTION OF THIS DOCUMENT MAY BE COPIED OR OTHERWISE REPRODUCED WITHOUT THE PRIOR WRITTEN CONSENT OF EATON. IN THE CASE OF CONFLICTING CONTRACTUAL PROVISIONS, THIS NOTICE SHALL GOVERN THE STATUS OF THIS DOCUMENT. © 2008 Eaton Corporation - All Rights Reserved.				