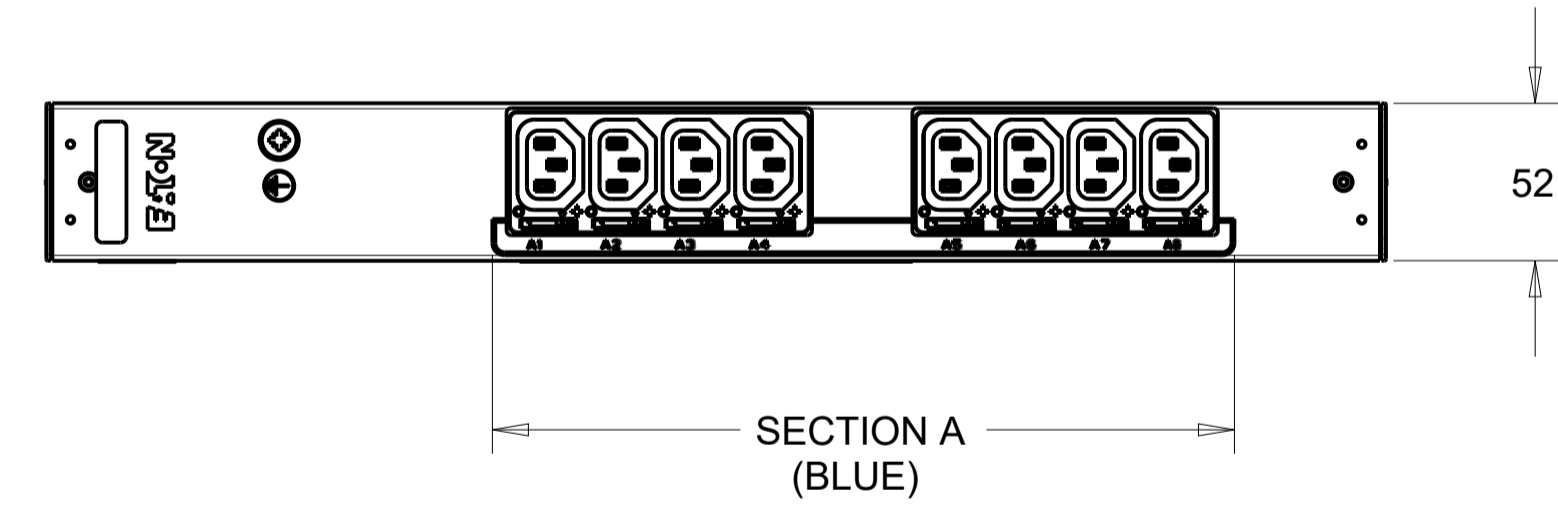
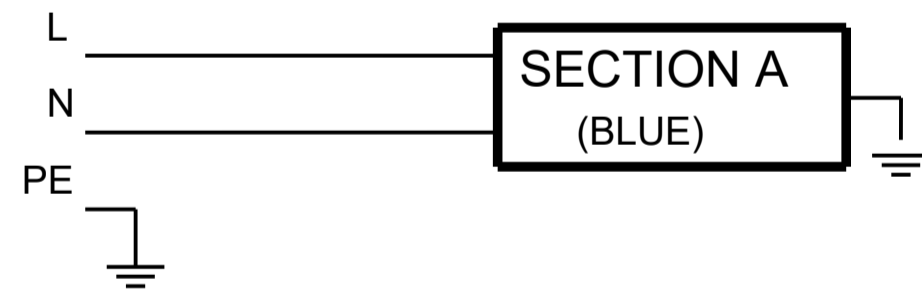


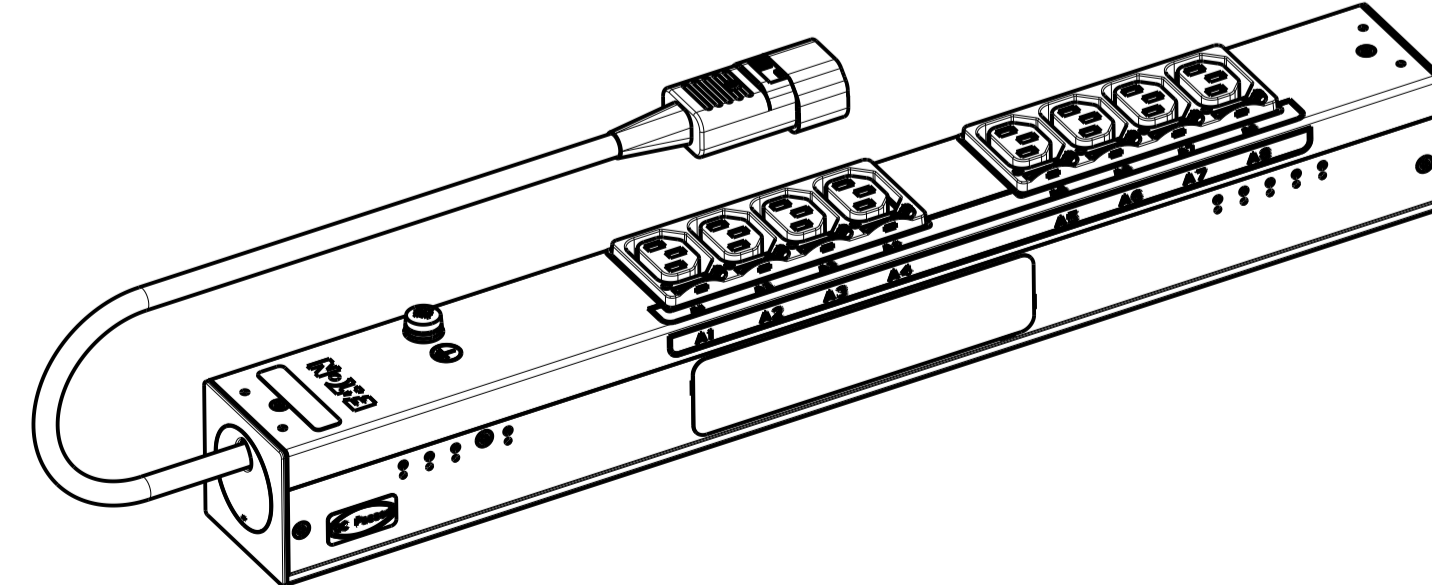
CABLE LENGTH SHOWN NOT TO SCALE



CIRCUIT SCHEMATIC



EBAB02		G3+ BASIC	
FUNCTIONALITY	INPUT	OUTPUT	ENVIRONMENTAL
NONE	1Ø; 200-240V~; W+N+PE 50/60 Hz 10A	(8) IEC 60320 C13 GRIP / P-LOCK	0 TO 60° C
MECHANICAL	INPUT RATING	OUTPUT RATING	CERTIFICATIONS
LENGTH: 443MM WIDTH: 52 MM DEPTH: 53MM ALUMINIUM CHASSIS, BLACK MNT PATTERN SK-23919-Y1	IEC 60309 C14 10A 230V~ W+N+PE 1.5MM HO5 POWER CORD CABLE LENGTH: 3.0 M	200-240V~; 50/60Hz 10A PER C13 10A MAX TOTAL	CE, CB
CIRCUIT BREAKERS	FILTER AND SPIKE/SURGE	ACCESSORIES	CONFIGURATION
NONE	NONE	STANDARD KSP028 - HOR INSTALLATION PACK KA35	EBA3CP8FABB71AM



PICTORIAL VIEW
SCALE 0.400

02 CHANGE PACK FROM KSP018 TO KSP028	16.05.2019	AEK	MB
01 REVISED ACCESSORIES IN SPECIFICATION TABLE.	12.06.2015	G.McD.	M.B
00 INITIAL RELEASE	12.05.2014	RA	MB
REV. MODIFICATION	DATE	DESIGNER	VERIF.
		HEINEMANN PRODUCTS	
		CH-1345 LE LIEU SWITZERLAND	
TOLERANCE GENERALE / GENERAL TOLERANCE		N/A	N/A
TRAITEMENT / FINISH		N/A	N/A
MATIERE / MATERIAL		N/A	N/A
NIVEAU DU CERTIFICAT DE SOUMISSION REQUIS / SAMPLES APPROVAL PROCESS REPORT		N/A	DIMENSIONS AND TOLERANCES IN MILLIMETERS
DESIGNATION	EPDU BA 0U (C14 10A 1P)8XC13	SK-34319-Y1	02
COTES A CONTROLER / INSPECTION DIMENSIONS	XX.XX	COTES FONCTIONNELLES / FUNCTIONAL DIMENSIONS	# XX.XX
<small>Ce document est propriété de Eaton Industries Manufacturing GmbH. Duplication interdite sans autorisation. This document is Eaton Industries Manufacturing GmbH property. Duplication forbidden without authorization.</small>			