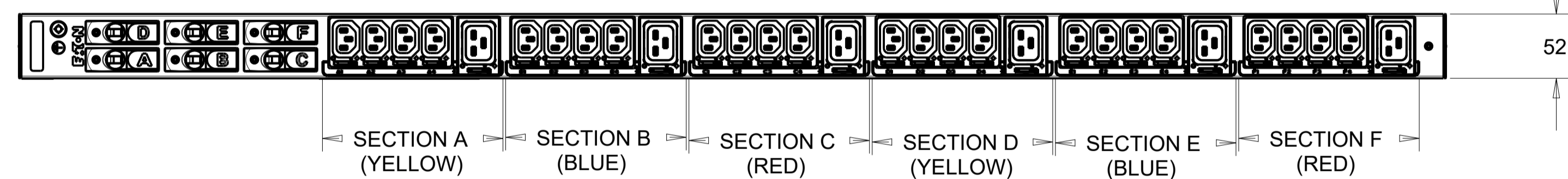
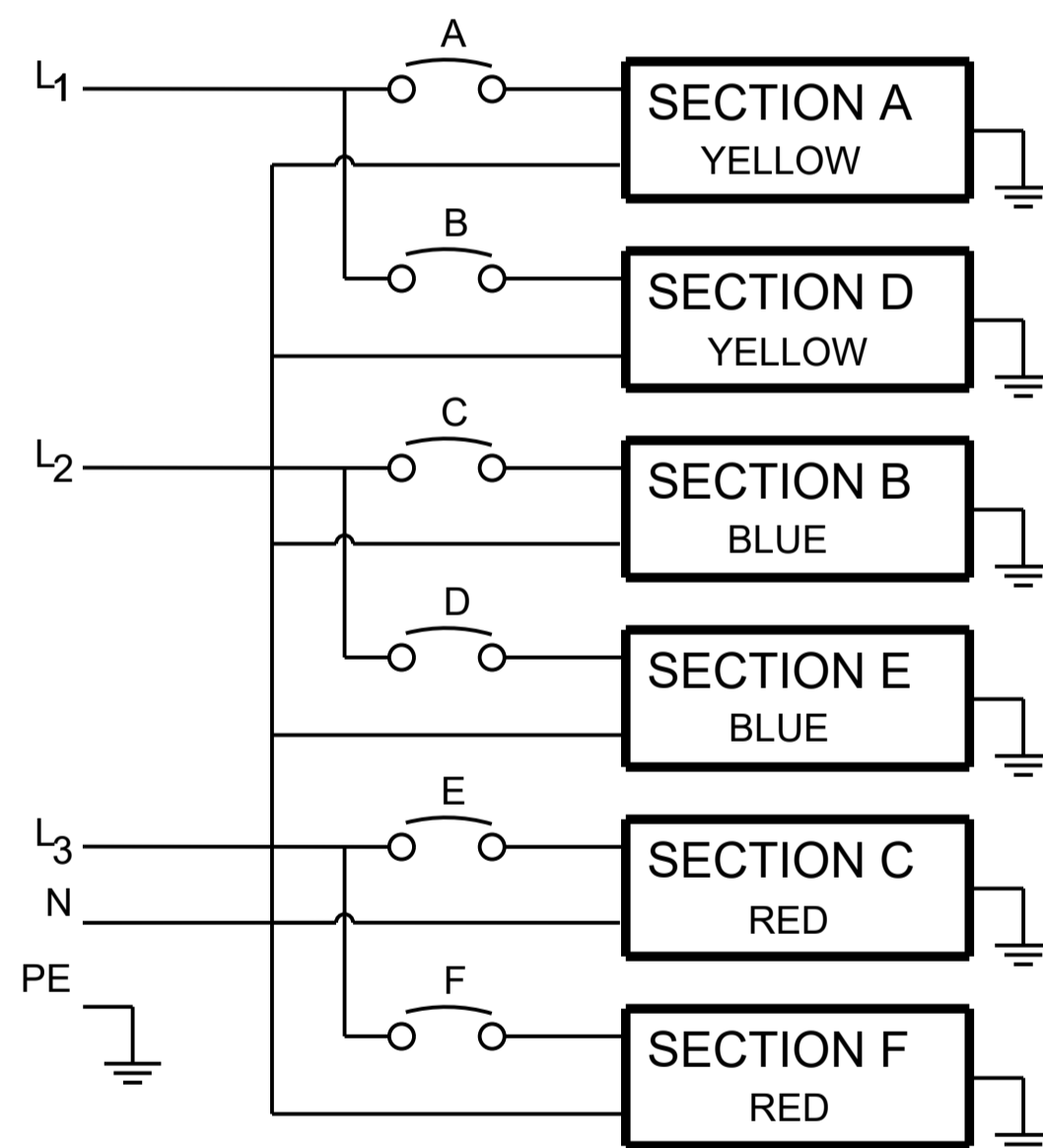


CABLE LENGTH SHOWN NOT TO SCALE

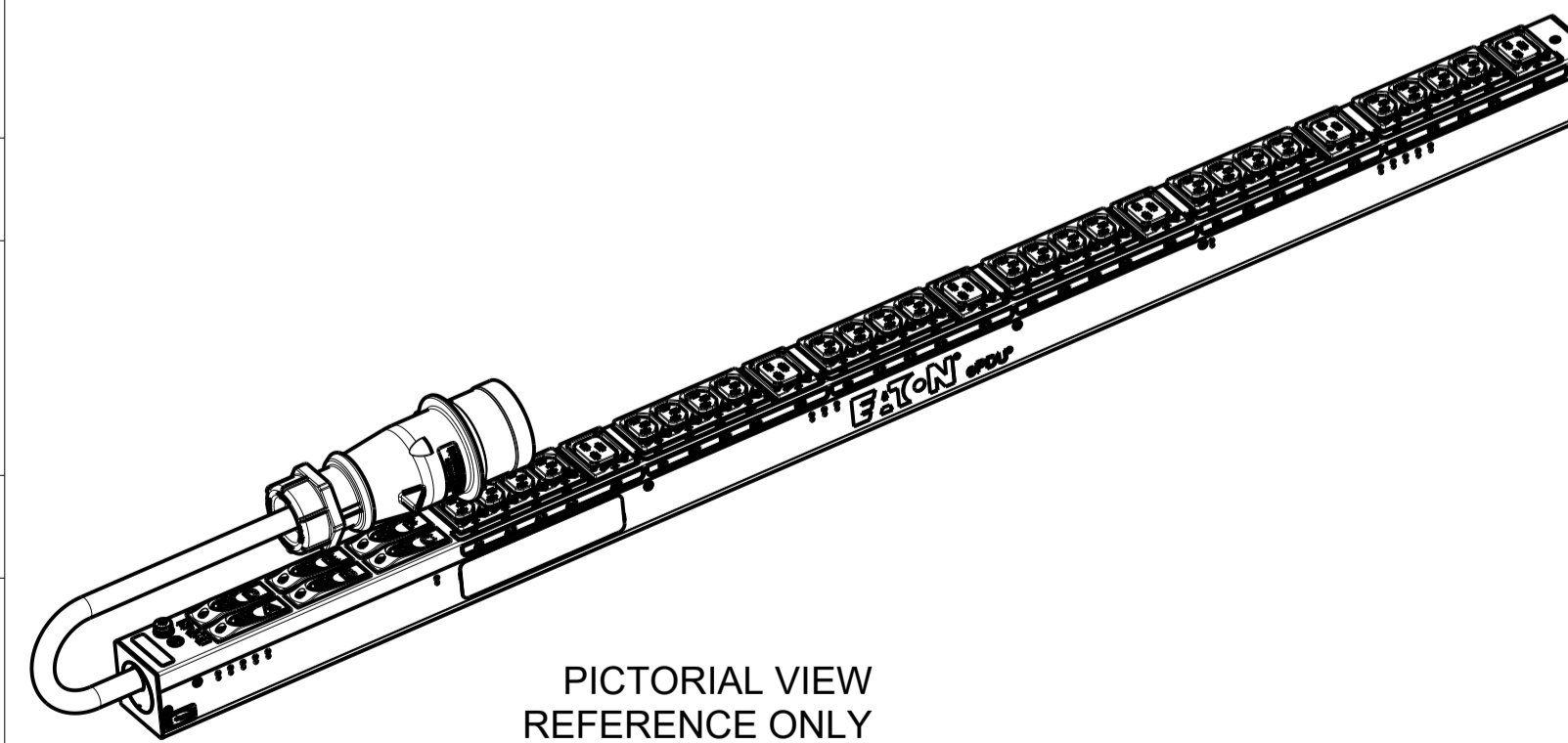


CIRCUIT SCHEMATIC



EBAB32 G3+ BASIC

FUNCTIONALITY	INPUT	OUTPUT	ENVIRONMENTAL
NONE	IEC 60309-2 32A 400V~ WYE, 3W+N+PE 4.0MM HO7 POWER CORD CABLE LENGTH: 3.0M	(24) IEC 60320 C13 GRIP / P-LOCK (6) IEC 60320 C19 GRIP / P-LOCK ALTERNATING PHASES	0 TO 60 °C
MECHANICAL	INPUT RATING	OUTPUT RATING	CERTIFICATIONS
LENGTH: 1154MM WIDTH: 52 MM DEPTH: 53MM ALUMINIUM CHASSIS, BLACK MNT PATTERN SK-23919-Y1	3Ø;346-415V~; WYE, 3W+N+PE 50/60HZ 32A	200-240V~;50/60HZ 10A PER C13;16A PER C19 16A MAX PER SECTION 32A MAX TOTAL	CE, CB
CIRCUIT BREAKERS	FILTER AND SPIKE/SURGE	ACCESSORIES	CONFIGURATION
(6) 16A 1-POLE	NONE	STANDARD KSP026 - EPDU G3 EMEA VERT INSTALL PACK KA35	EBA3DH8FBJR76AM



PICTORIAL VIEW
REFERENCE ONLY
SCALE 0.200

01 PRODUCT MODIFIED TO ALTERNATING SECTIONS		22.04.2019	AEK	MB
00 INITIAL RELEASE		27.04.2017	RA	MB
REV	MODIFICATION	DATE	DESIGNER	VERIF
EATON		HEINEMANN PRODUCTS		VUE/VIEW EUROPE: 3/10
CH-1345 LE LIEU SWITZERLAND		DESSINE LE / DRAWN THE		27.04.2017
TRAITEMENT / FINISH NA		PAR / BY		RA
MATIERE / MATERIAL NA		VERIFIE PAR / VERIFIED BY		MB
NIVEAU DU CERTIFICAT DE SOUMISSION REQUIS / SAMPLES APPROVAL PROCESS REPORT		X	DIMENSIONS AND TOLERANCES IN MILLIMETERS	
DESIGNATION	EPDU BA 0U (309 32A 3P)24XC13.6XC19	SK-106519-Y1	01	
COTES A CONTROLER INSPECTION DIMENSIONS	XX.XX	COTES FONCTIONNELLES FUNCTIONAL DIMENSIONS	# XX.XX	NUMERO DU PLAN PLAN NUMBER
Ce document est propriété de Eaton Industries Manufacturing GmbH. Duplication interdite sans autorisation. This document is Eaton Industries Manufacturing GmbH property. Duplication forbidden without authorization.				