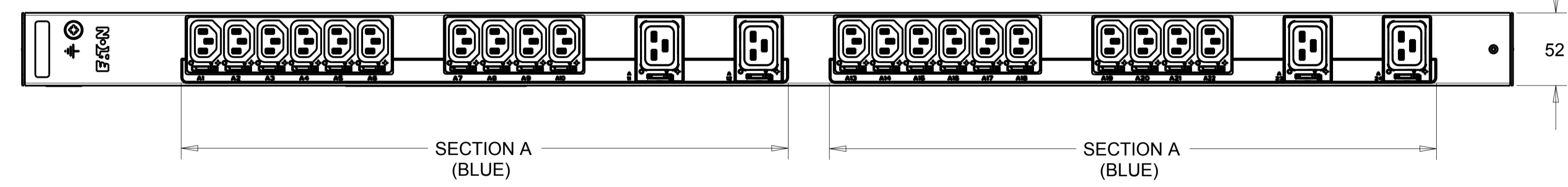
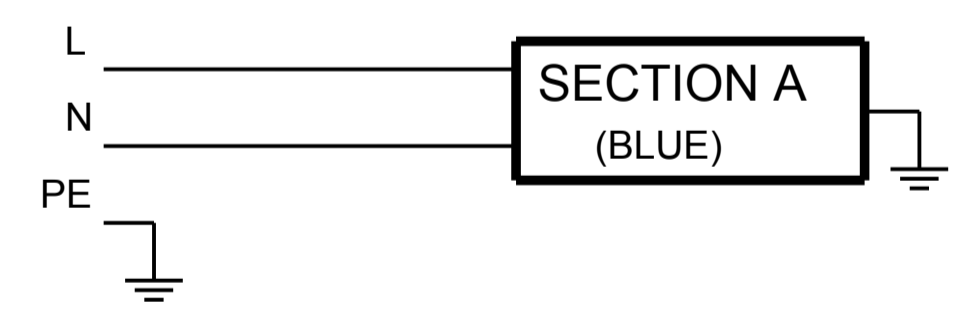


CABLE LENGTH SHOWN NOT TO SCALE

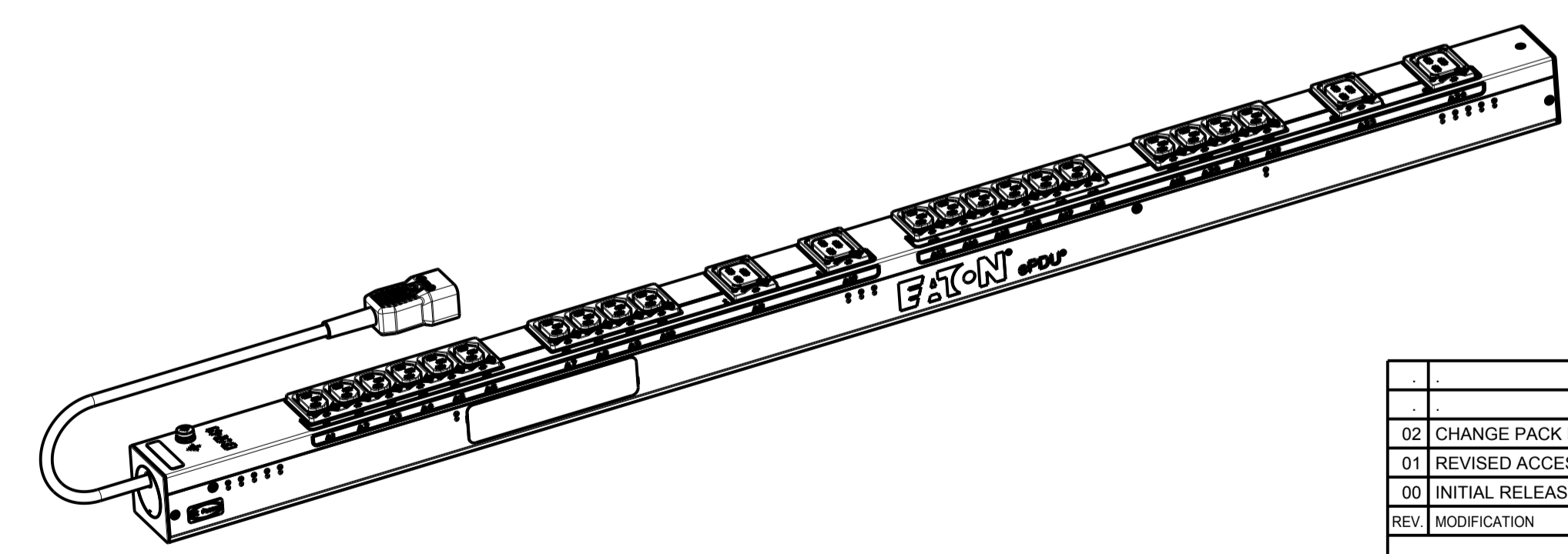


CIRCUIT SCHEMATIC



**EBAB22 G3+ BASIC**

FUNCTIONALITY	INPUT	OUTPUT	ENVIRONMENTAL
NONE	1Ø; 200-240V~; W+N+PE 50/60Hz 16A	(20) IEC 60320 C13 GRIP / P-LOCK (4) IEC 60320 C19 GRIP / P-LOCK	0 TO 60 °C
MECHANICAL	INPUT RATING	OUTPUT RATING	CERTIFICATIONS
LENGTH: 1070MM WIDTH: 52 MM DEPTH: 53MM ALUMINIUM CHASSIS, BLACK MNT PATTERN SK-23919-Y1	IEC 60309 C20 16A 230V~ W+N+PE 1.5MM HO5 POWER CORD CABLE LENGTH: 3.0 M	200-240V~; 50/60Hz 10A PER C13; 16A PER C19 16A MAX TOTAL	CE, CB
CIRCUIT BREAKERS	FILTER AND SPIKE/SURGE	ACCESSORIES	CONFIGURATION
NONE	NONE	STANDARD KSP026 - EPDU G3 EMEA VERT INSTALL PACK KA35	EBA3CX8FABH75AM



PICTORIAL VIEW  
SCALE 0.250

02 CHANGE PACK FROM KSP014 TO KSP026	12.06.2017	VV	MB
01 REVISED ACCESSORIES IN SPECIFICATION TABLE.	12.06.2015	G.McD.	M.B.
00 INITIAL RELEASE	13.05.2014	RA	MB
REV. MODIFICATION	DATE	DESIGNER	VERIF.
<b>EATON</b>		HEINEMANN PRODUCTS	VUE/VIEW 1ST ANGLE
CH-1345 LE LIEU SWITZERLAND		ECHELLE / SCALE 4/10	N° MAG EBAB22
DESIGNATION EPDU BA 0U (C20 16A 1P)20XC13:4XC19		DESSINE LE / DRAWN THE 13.05.2014	PAR / BY RA
TRAITEMENT / FINISH N/A		VERIFIE PAR / VERIFIED BY MB	
MATERIE / MATERIAL N/A		NIVEAU DU CERTIFICAT DE SOUMISSION REQUIS / SAMPLES APPROVAL PROCESS REPORT N/A	
DIMENSIONS AND TOLERANCES IN MILLIMETERS		DIMENSIONS AND TOLERANCES IN MILLIMETERS	
DESIGNATION	EPDU BA 0U (C20 16A 1P)20XC13:4XC19	SK-35019-Y1	02
COTES A CONTROLER / INSPECTION DIMENSIONS	XX.XX	COTES FONCTIONNELLES / FUNCTIONAL DIMENSIONS	# XX.XX
Ce document est propriété de Eaton Industries Manufacturing GmbH. Duplication interdite sans autorisation.		This document is Eaton Industries Manufacturing GmbH property. Duplication forbidden without authorization.	