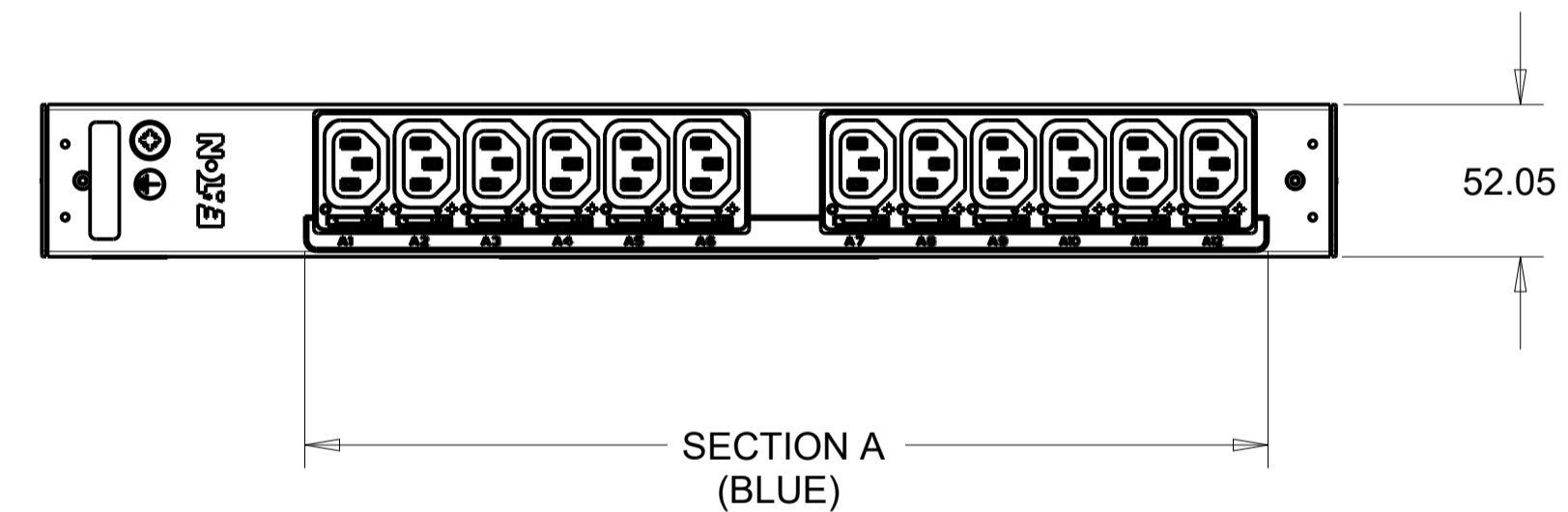
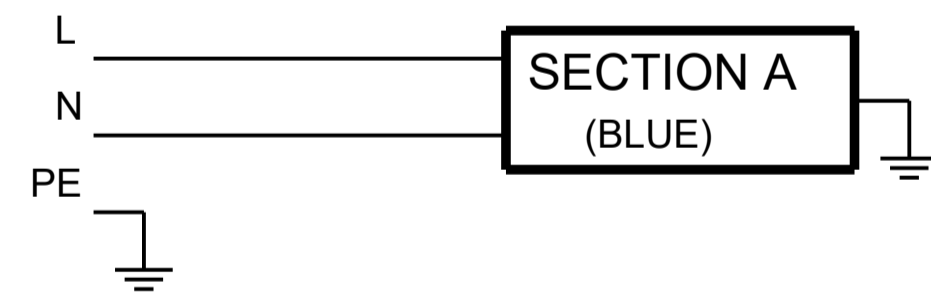


CABLE LENGTH SHOWN NOT TO SCALE

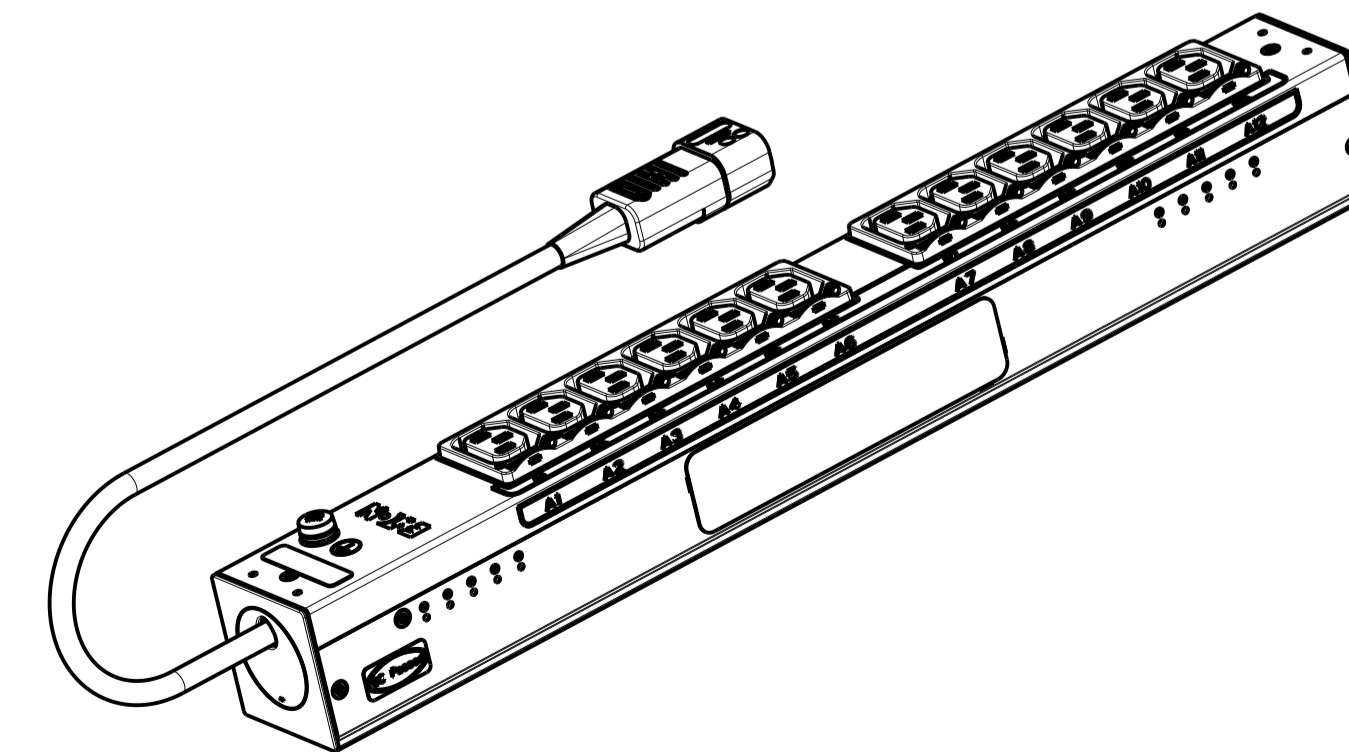


CIRCUIT SCHEMATIC



## EBAB19 G3+ BASIC

FUNCTIONALITY	INPUT	OUTPUT	ENVIRONMENTAL
NONE	1Ø; 200-240V~; W+N+PE 50/60Hz 10A	(12) IEC 60320 C13 GRIP / P-LOCK	0 TO 60 °C
MECHANICAL	INPUT RATING	OUTPUT RATING	CERTIFICATIONS
LENGTH: 443MM WIDTH: 52 MM DEPTH: 53MM ALUMINIUM CHASSIS, BLACK MNT PATTERN SK-23919-Y1	IEC 60309 C14 10A 230V~ W+N+PE 1.5MM HO5 POWER CORD CABLE LENGTH: 3.0 M	200-240V~; 50/60Hz 10A PER C13 10A MAX TOTAL	CE, CB
CIRCUIT BREAKERS	FILTER AND SPIKE/SURGE	ACCESSORIES	CONFIGURATION
NONE	NONE	STANDARD KSP028 - HOR INSTALLATION PACK KA35	EBA3CP8FABC71AM



PICTORIAL VIEW  
SCALE 0.400

02	CHANGE PACK FROM KSP018 TO KSP028	20.06.2019	AEK	MB
01	REVISED ACCESSORIES IN SPECIFICATION TABLE.	12.06.2015	G.McD.	M.B
00	INITIAL RELEASE	13.05.2014	RA	MB
REV.	MODIFICATION	DATE	DESIGNER	VERIF.
		HEINEMANN PRODUCTS		VUE/VIEW
		CH-1345 LE LIEU SWITZERLAND		1ST VIEW
TOLERANCE GENERALE / GENERAL TOLERANCE		N/A	N/A	N/A
TRAITEMENT / FINISH		N/A	N/A	N/A
MATIERE / MATERIAL		N/A	N/A	N/A
NIVEAU DU CERTIFICAT DE SOUMISSION REQUIS / SAMPLES APPROVAL PROCESS REPORT		N/A	DIMENSIONS AND TOLERANCES IN MILLIMETERS	
DESIGNATION		EPDU BA 0U (C14 10A 1P)12XC13		SK-34819-Y1
COTES A CONTROLER / INSPECTION DIMENSIONS		XX.XX	NUMERO DU PLAN / PLAN NUMBER	
COTES FONCTIONNELLES / FUNCTIONAL DIMENSIONS		# XX.XX	REV.	
Ce document est propriété de Eaton Industries Manufacturing GmbH. Duplication interdite sans autorisation. This document is Eaton Industries Manufacturing GmbH property. Duplication forbidden without authorization.				