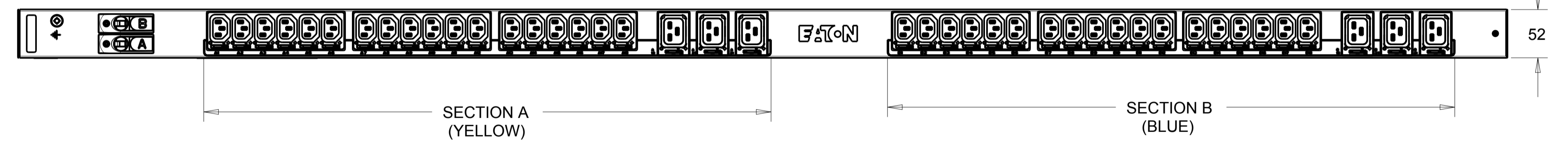
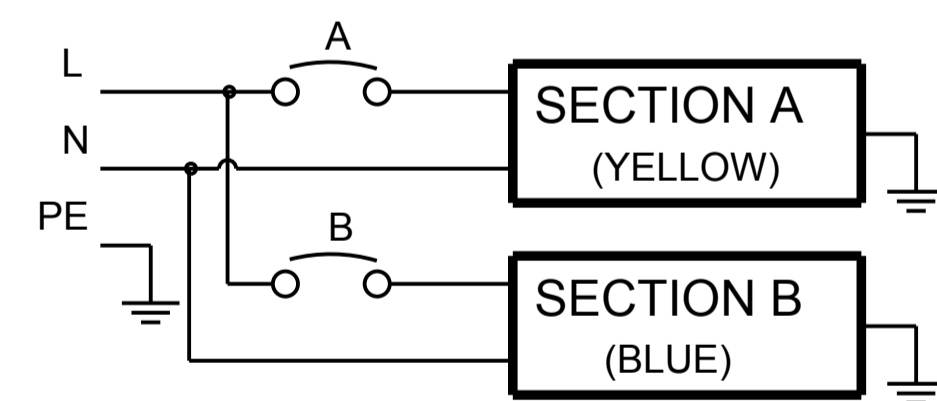


CABLE LENGTH SHOWN NOT TO SCALE

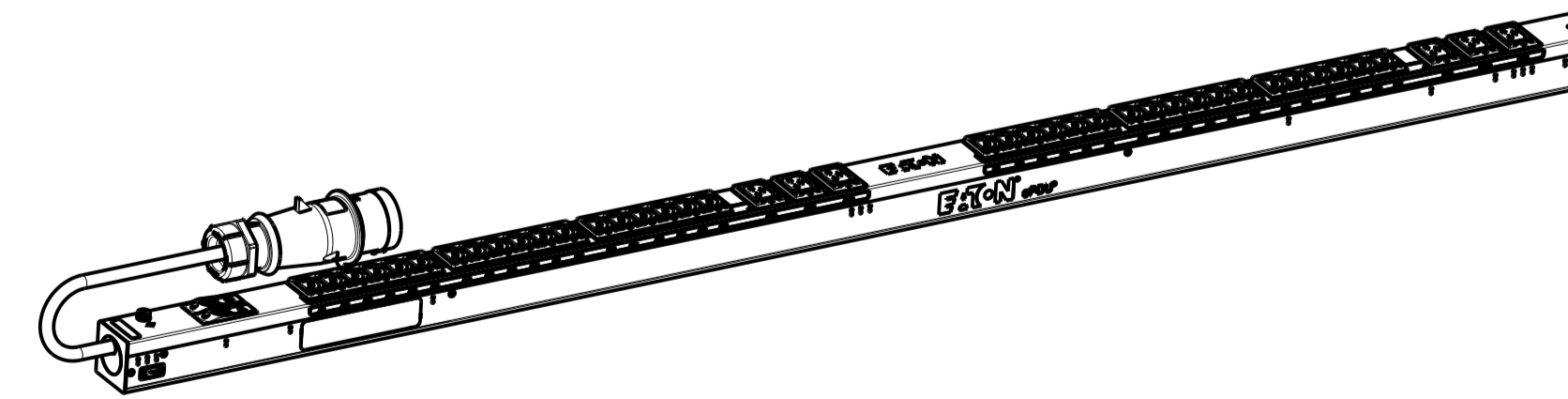


CIRCUIT SCHEMATIC



EBAB08 G3+ BASIC

FUNCTIONALITY	INPUT	OUTPUT	ENVIRONMENTAL
NONE	IEC 60309-2 32A 230V~ W+N+PE 4.0MM HO7 POWER CORD CABLE LENGTH: 3.0M	(36) IEC 60320 C13 GRIP / P-LOCK (6) IEC 60320 C19 GRIP / P-LOCK	0 TO 60 °C
MECHANICAL	INPUT RATING	OUTPUT RATING	CERTIFICATIONS
LENGTH: 1604MM WIDTH: 52 MM DEPTH: 53MM ALUMINIUM CHASSIS, BLACK MNT PATTERN SK-23919-Y1	1Ø; 200-240V~ W+N+PE 50/60Hz 32A	200-240V~;50/60Hz 10A PER C13;16A PER C19 16A MAX PER SECTION 32A MAX TOTAL	CE, CB
CIRCUIT BREAKERS	FILTER AND SPIKE/SURGE	ACCESSORIES	CONFIGURATION
(2) 16A 1-POLE	NONE	STANDARD KSP026 - EPDU G3 EMEA VERT INSTALL PACK KA35	EBA3CH8FBDG77AM



PICTORIAL VIEW
SCALE 0.150

01 UPDATE CONFIGURATION CODE IS EBA3CH8FBDG77AM WAS EBA3CE8FBDG77AM		07.06.2017	RA	MB
00 INITIAL RELEASE		06.04.2017	RA	MB
REV	MODIFICATION	DATE	DESSINER	VERIF
EATON		HEINEMANN PRODUCTS	VUE/VIEW EUROPE: 3/10	N° MAG EBAB08
CH-1345 LE LIEU SWITZERLAND		DESSINE LE / DRAWED THE	06.04.2017	
TRAITEMENT / FINISH N/A		N/A		
MATERIE / MATERIAL N/A		N/A		
NIVEAU DU CERTIFICAT DE SOUMISSION REQUIS / SAMPLES APPROVAL PROCESS REPORT		DIMENSIONS AND TOLERANCES IN MILLIMETERS		
DESIGNATION	EPDU BA 0U (309 32A 1P)36XC13:6XC19	SK-58119-Y1	01	
COTES A CONTROLER / INSPECTION DIMENSIONS	XX.XX	COTES FONCTIONNELLES / FUNCTIONAL DIMENSIONS	# XX.XX	
Ce document est propriété de Eaton Industries Manufacturing GmbH. Duplication interdite sans autorisation. This document is Eaton Industries Manufacturing GmbH property. Duplication forbidden without authorization.				