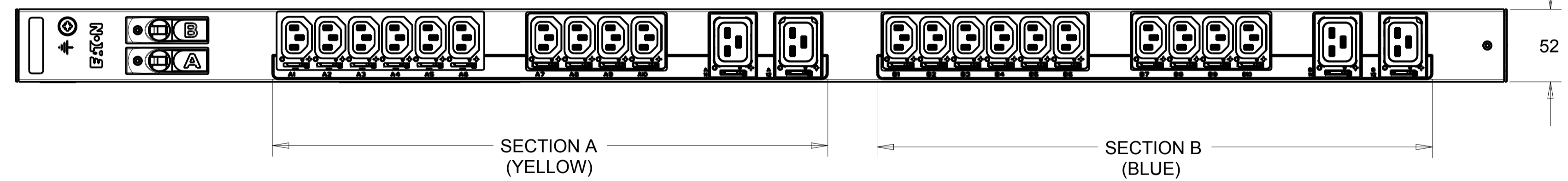
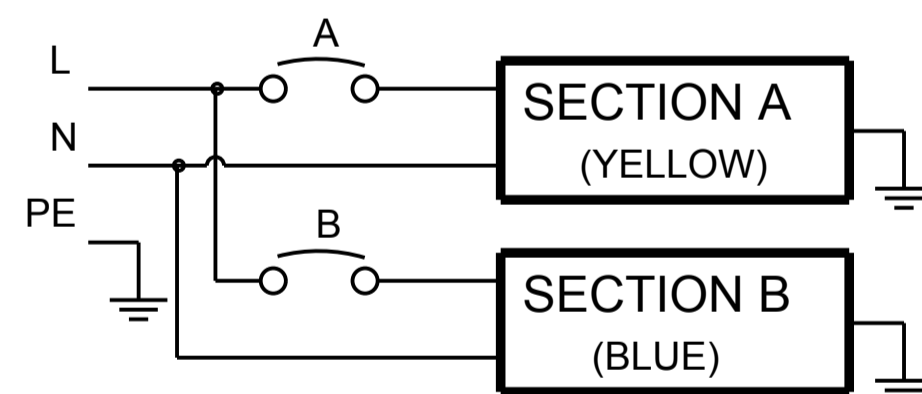


CABLE LENGTH SHOWN NOT TO SCALE

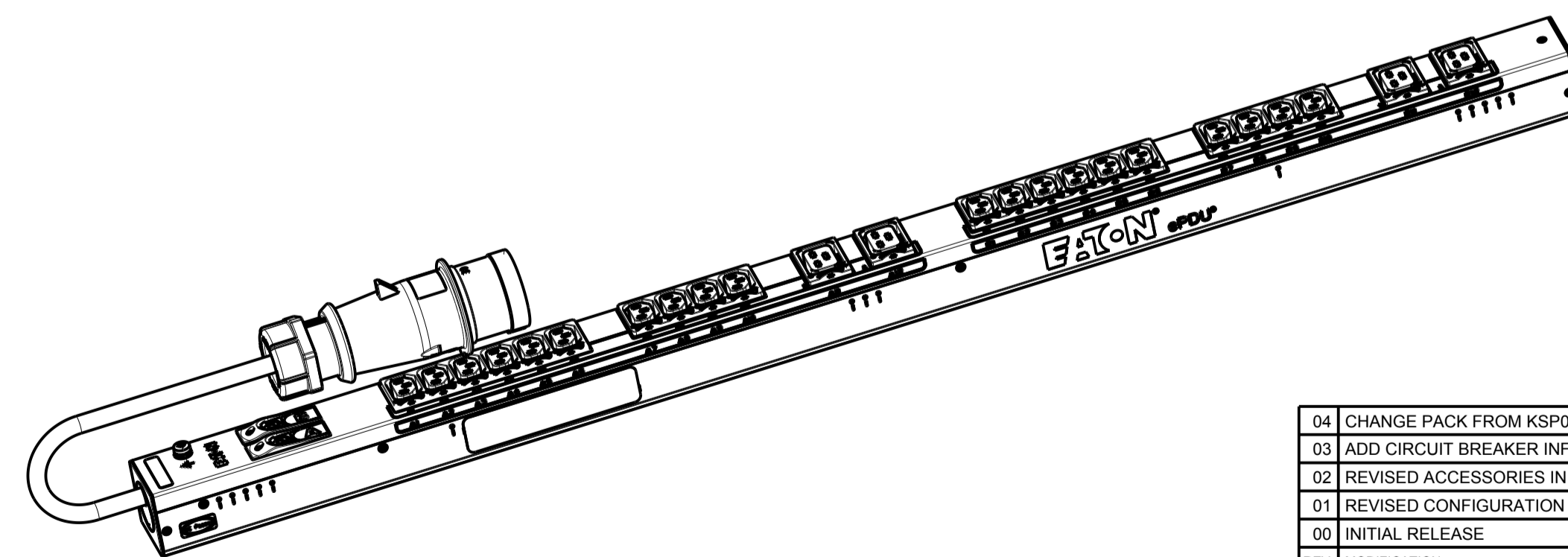


CIRCUIT SCHEMATIC



EBAB05 G3+ BASIC

FUNCTIONALITY	INPUT	OUTPUT	ENVIRONMENTAL
NONE	1Ø; 200-240V~; W+N+PE 50/60HZ 32A	(20) IEC 60320 C13 GRIP / P-LOCK (4) IEC 60320 C19 GRIP / P-LOCK	0 TO 60 °C
MECHANICAL	INPUT RATING	OUTPUT RATING	CERTIFICATIONS
LENGTH: 1070MM WIDTH: 52 MM DEPTH: 53MM ALUMINIUM CHASSIS, BLACK MNT PATTERN SK-23919-Y1	IEC 60309-2 32A 230V~ W+N+PE 4.0MM HO7 POWER CORD CABLE LENGTH: 3.0M	200-240V~; 50/60HZ 10A PER C13; 16A PER C19 16A MAX PER SECTION 32A MAX TOTAL	CE, CB
CIRCUIT BREAKERS	FILTER AND SPIKE/SURGE	ACCESSORIES	CONFIGURATION
(2) 16A 1-POLE	NONE	STANDARD KSP026 - EPDU G3 EMEA VERT INSTALL PACK KA35	EBA3CH8FBDD75AM



PICTORIAL VIEW
SCALE 0.250

04 CHANGE PACK FROM KSP014 TO KSP026	08.05.2017	VV	MB
03 ADD CIRCUIT BREAKER INFORMATION IN SPECIFICATION TABLE	14.10.2015	RA	MB
02 REVISED ACCESSORIES IN SPECIFICATION TABLE	02.06.2015	G.McD	MB
01 REVISED CONFIGURATION CODE	16.01.2015	G.McD	MB
00 INITIAL RELEASE	12.05.2014	RA	MB
REV. MODIFICATION	DATE	DESIGNER	VERIF.
		HEINEMANN PRODUCTS	
		CH-1345 LE LIEU SWITZERLAND	
TOLERANCE GENERALE / GENERAL TOLERANCE		N/A	N/A
TRAITEMENT / FINISH		N/A	N/A
MATIERE / MATERIAL		N/A	N/A
NIVEAU DU CERTIFICAT DE SOUMISSION REQUIS / SAMPLES APPROVAL PROCESS REPORT		N/A	DIMENSIONS AND TOLERANCES IN MILLIMETERS
DESIGNATION	EPDU BA 0U (309 32A 1P)20XC13:4XC19	SK-34619-Y1	04
COTES A CONTROLER INSPECTION DIMENSIONS	XX.XX	COTES FONCTIONNELLES FUNCTIONAL DIMENSIONS	# XX.XX
Ce document est propriété de Eaton Industries Manufacturing GmbH. Duplication interdite sans autorisation. This document is Eaton Industries Manufacturing GmbH property. Duplication forbidden without authorization.		NUMERO DU PLAN PLAN NUMBER	