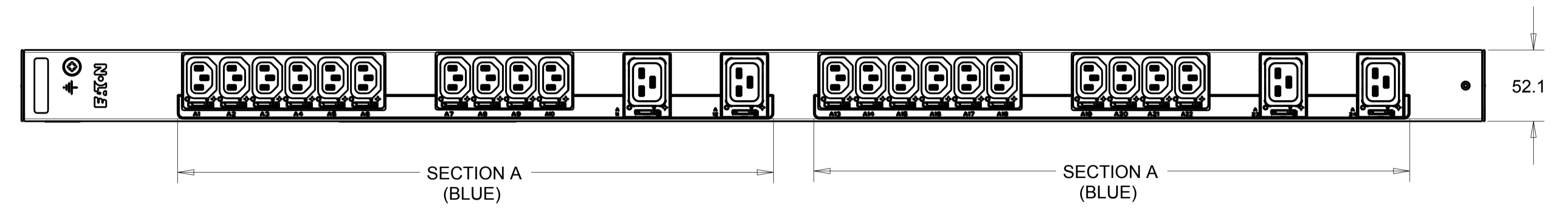
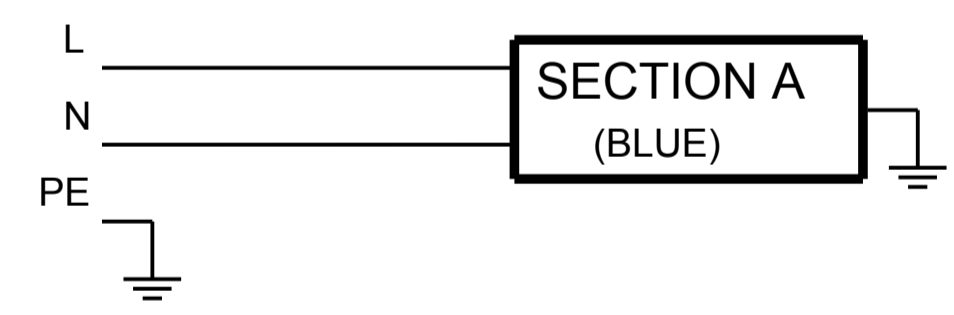


CABLE LENGTH SHOWN NOT TO SCALE

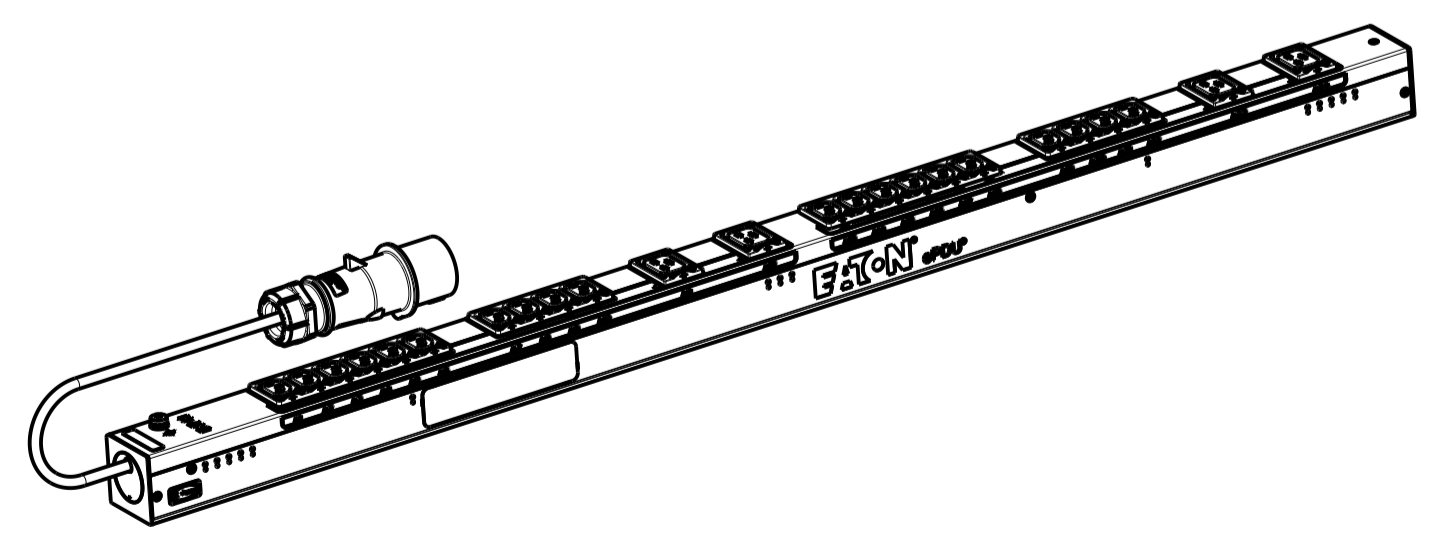


CIRCUIT SCHEMATIC



## EBAB04 G3+ BASIC

FUNCTIONALITY	INPUT	OUTPUT	ENVIRONMENTAL
NONE	1Ø; 200-240V~; W+N+PE 50/60Hz 16A	(20) IEC 60320 C13 GRIP / P-LOCK (4) IEC 60320 C19 GRIP / P-LOCK	0 TO 60 °C
MECHANICAL	INPUT RATING	OUTPUT RATING	CERTIFICATIONS
LENGTH: 1070MM WIDTH: 52 MM DEPTH: 53MM ALUMINIUM CHASSIS, BLACK MNT PATTERN SK-23919-Y1	IEC 60309-2 16A 230V~ W+N+PE 1.5MM HO5 POWER CORD CABLE LENGTH: 3.0 M	200-240V~; 50/60Hz 10A PER C13; 16A PER C19 16A MAX TOTAL	CE, CB
CIRCUIT BREAKERS	FILTER AND SPIKE/SURGE	ACCESSORIES	CONFIGURATION
NONE	NONE	STANDARD KSP026 - VERT INSTALLATION PACK KA35	EBA3CE8FABH75AM



PICTORIAL VIEW  
SCALE 0.187

02	CHANGE PACK FROM KSP014 TO KSP026	22.05.2017	VV	MB
01	REVISED ACCESSORIES IN SPECIFICATION TABLE.	12.06.2015	G.McD.	M.B.
00	INITIAL RELEASE	12.05.2014	RA	MB
REV	MODIFICATION	DATE	DESIGNER	VERIF.
		HEINEMANN PRODUCTS		VUE/VIEW 1ST ANGLE
		CH-1345 LE LIEU SWITZERLAND		ECHELLE / SCALE 4/10
TRAITEMENT / FINISH N/A		N/A		N° MAG EBAB04
MATIERE / MATERIAL N/A		N/A		DESSINE LE / DRAWED THE 12.05.2014
NIVEAU DU CERTIFICAT DE SOUMISSION REQUIS / SAMPLES APPROVAL PROCESS REPORT N/A		N/A		PAR / BY RA
DESIGNATION EPDU BA 0U (309 16A 1P)20XC13:4XC19		VERIFIE PAR / VERIFIED BY MB		NUMERO DU PLAN PLAN NUMBER SK-34519-Y1
COTES A CONTROLER INSPECTION DIMENSIONS		COTES FONCTIONNELLES FUNCTIONAL DIMENSIONS		# XX.XX
Ce document est propriété de Eaton Industries Manufacturing GmbH. Duplication interdite sans autorisation. This document is Eaton Industries Manufacturing GmbH property. Duplication forbidden without authorization.				